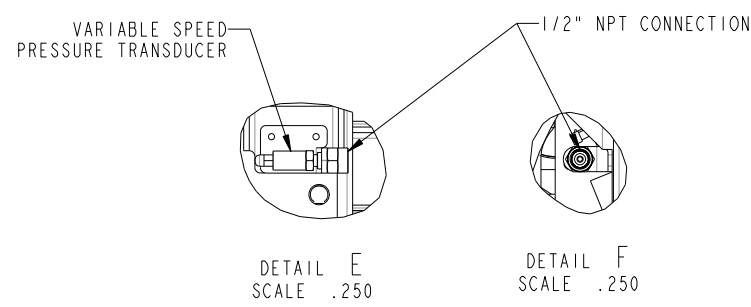
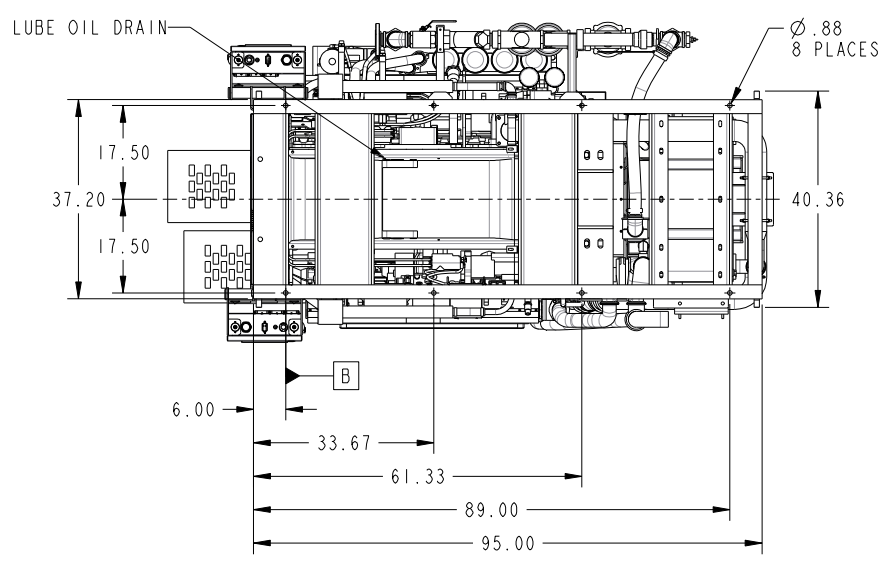
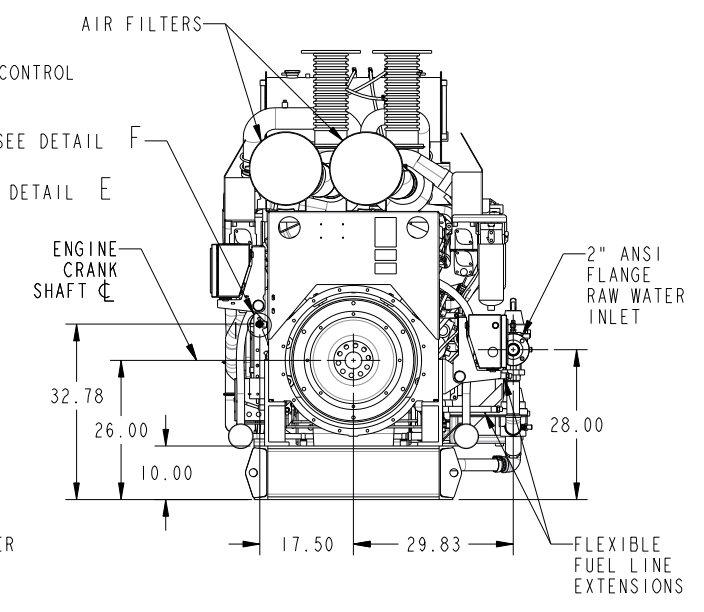
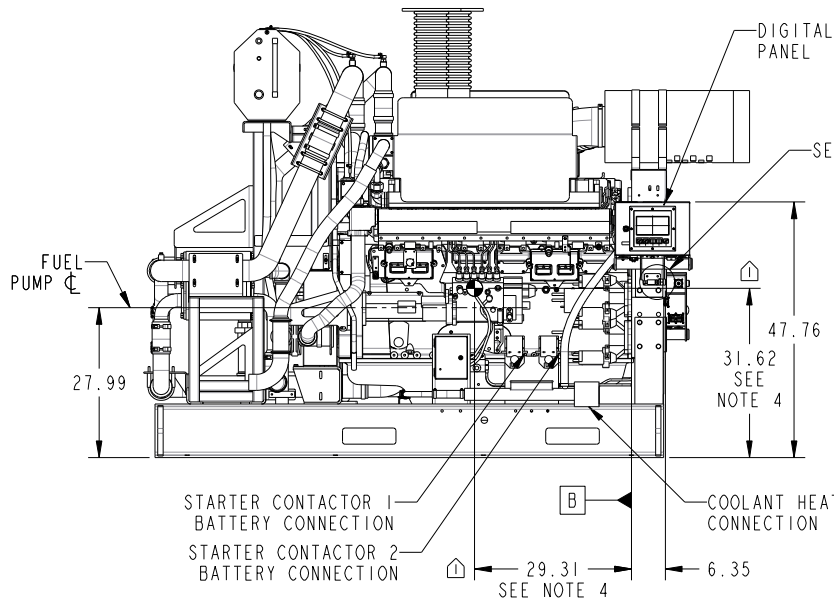
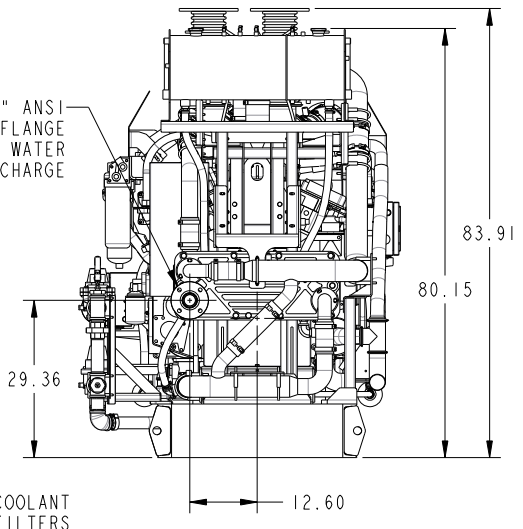
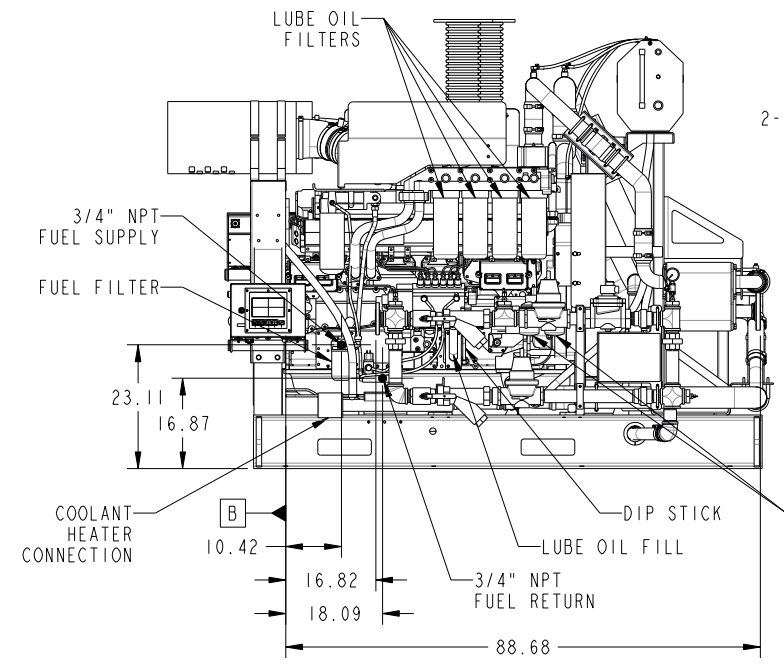
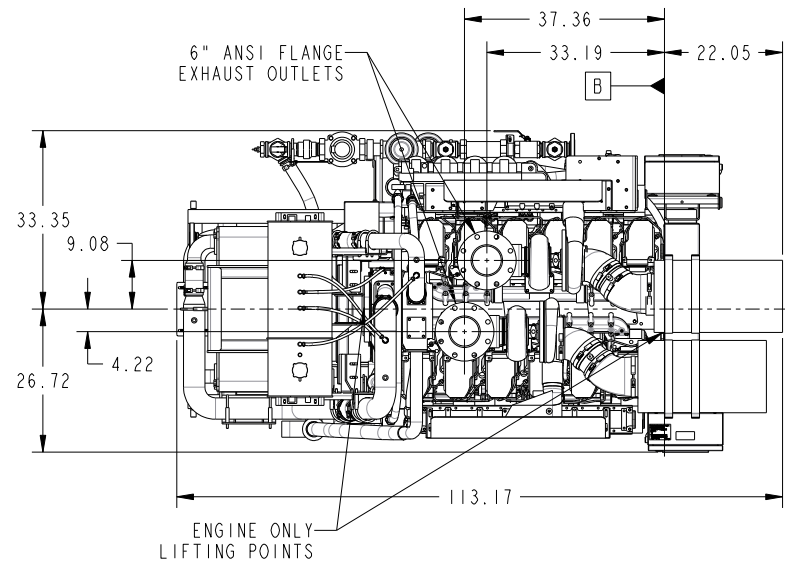


LEGEND AND DATUM IDENTIFIER	
SHEET 1	INSTALLATION DRAWING
SHEET 2	DRIVE LINE OPTIONS
SHEET 3	ELECTRICAL INFORMATION
DATUM "A"	FACE OF FLYWHEEL HOUSING
DATUM "B"	REAR LEG BOLT LOCATION
DATUM "C"	FLYWHEEL MOUNTING SURFACE
DATUM "D"	UJOINT ADAPTER MOUNTING SURFACE
DATUM "EOS"	END OF PUMP SHAFT

CFP30E CONNECTION INFORMATION	
SAE #0	FLYWHEEL HOUSING
3/4" NPT	FUEL INLET
3/4" NPT	FUEL OUTLET
2" ANSI FLANGE	RAW WATER INLET
2-1/2" ANSI FLANGE	RAW WATER DISCHARGE
120 / 240 VAC	COOLANT HEATER (QTY (2) 4000 WATTS)
6" DIA NPT, CUFF, OR FLANGE	EXHAUST CONNECTION

REV	REL NO	REVISION	DWN	CKD	APVD	DATE
-	2017-740	RELEASED	HE392	NE627	NE627	10NOV17
1	2020-021	ADDED CG DIMENSIONS & NOTES	NO134	MS707	MS707	06FEB20

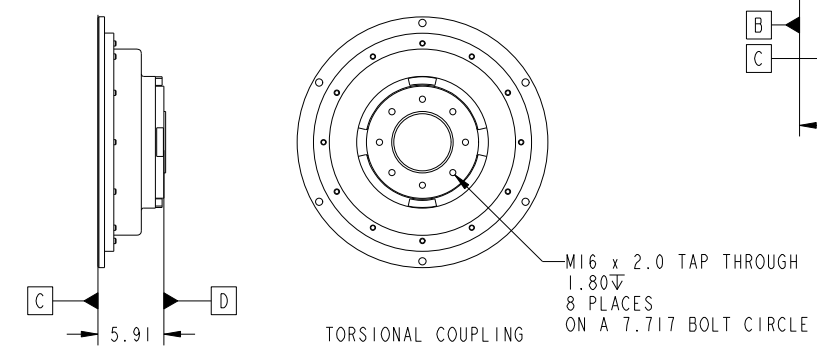
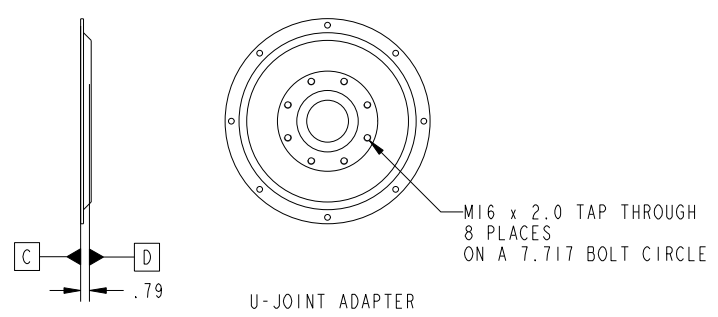
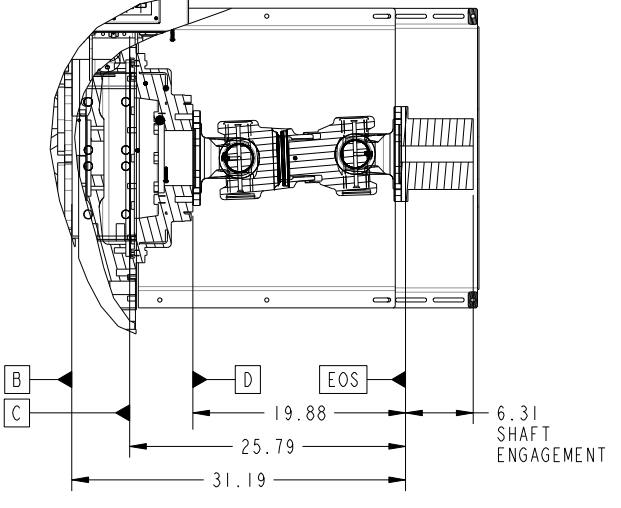
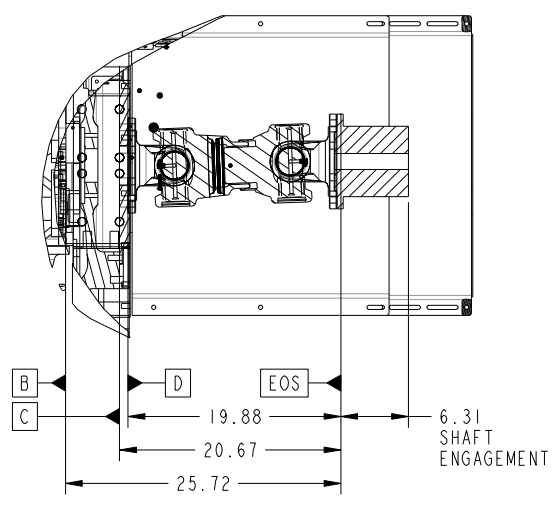
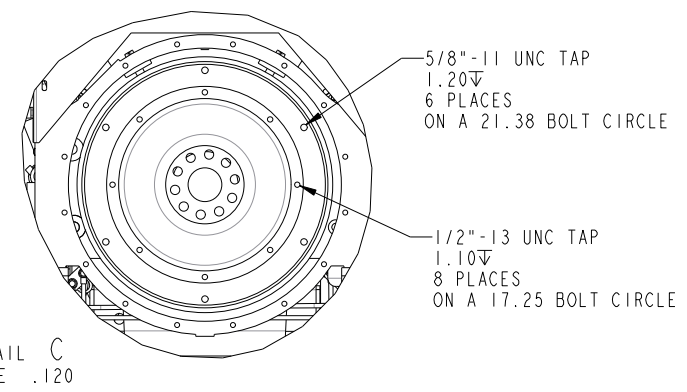
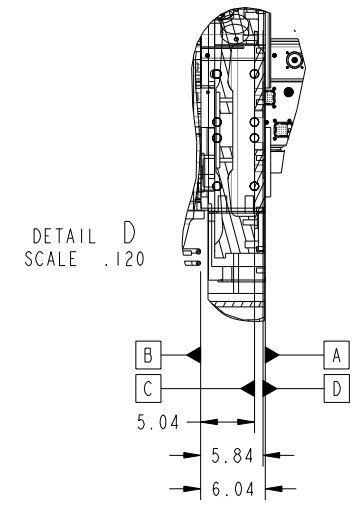
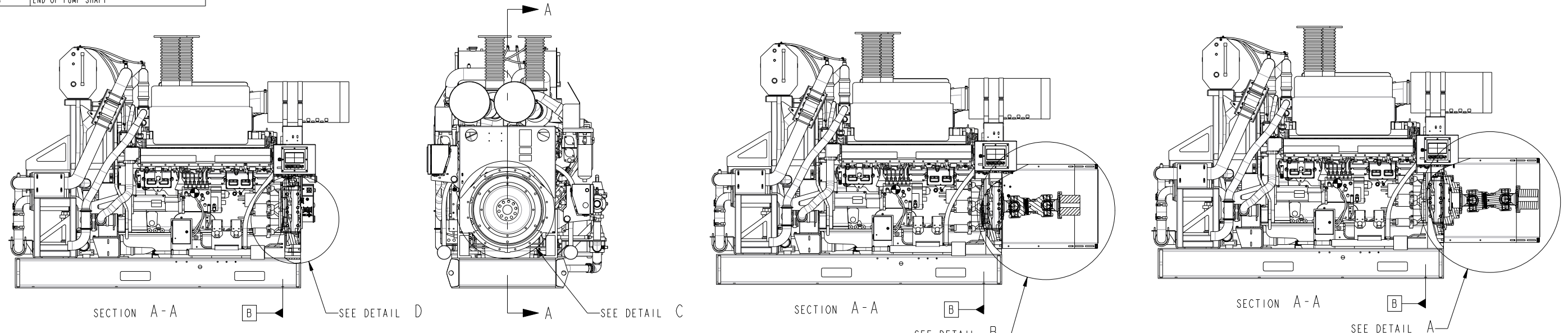


- NOTES:
1. ALL PLUMBING MUST BE SUPPORTED AND/OR ISOLATED SO THAT NO WEIGHT OR STRESS IS APPLIED TO ANY ENGINE COMPONENT
 2. REFER TO ENGINE DATA SHEET FOR CUSTOMER CONNECTION RECOMMENDATIONS
 3. DRAWING SUBJECT TO CHANGE WITH OUT NOTICE
 4. CENTER OF GRAVITY LOCATION IS APPROXIMATE

DIMENSIONS ARE IN: INCHES [] ARE IN: MILLIMETERS DRAWING TOLERANCES APPLY TO PRIMARY DIMENSIONS UNLESS OTHERWISE SPECIFIED X: ± 1 IN OR 4 mm X.L: ± 1 IN OR 0.1 mm X.XX: ± .030 IN OR 0.25 mm X.XXX: ± .010 IN OR 0.05 mm ANGULAR TOLERANCES: ±	DO NOT SCALE PRINT SCALE .060	CMV DATA CLASSIFICATION Cummins Confidential DWN HE392 CKD APVD NE627 DATE 10NOV2017	FOR INTERPRETATION OF DIMENSIONING AND TOLERANCING, SEE ASME Y14.5-2009	MUST CONFORM TO CES 10903	Cummins Inc. ITEM NAME GENERAL ARRANGEMENT CFP30E-F10/20/30/40 REV D 1 OF 3 ITEM NUMBER A042J664
---	----------------------------------	---	---	---------------------------	--

LEGEND AND DATUM IDENTIFIER	
SHEET 1	INSTALLATION DRAWING
SHEET 2	DRIVE LINE OPTIONS
SHEET 3	ELECTRICAL INFORMATION
DATUM "A"	FACE OF FLYWHEEL HOUSING
DATUM "B"	REAR LEG BOLT LOCATION
DATUM "C"	FLYWHEEL MOUNTING SURFACE
DATUM "D"	UJOINT ADAPTER MOUNTING SURFACE
DATUM "EOS"	END OF PUMP SHAFT

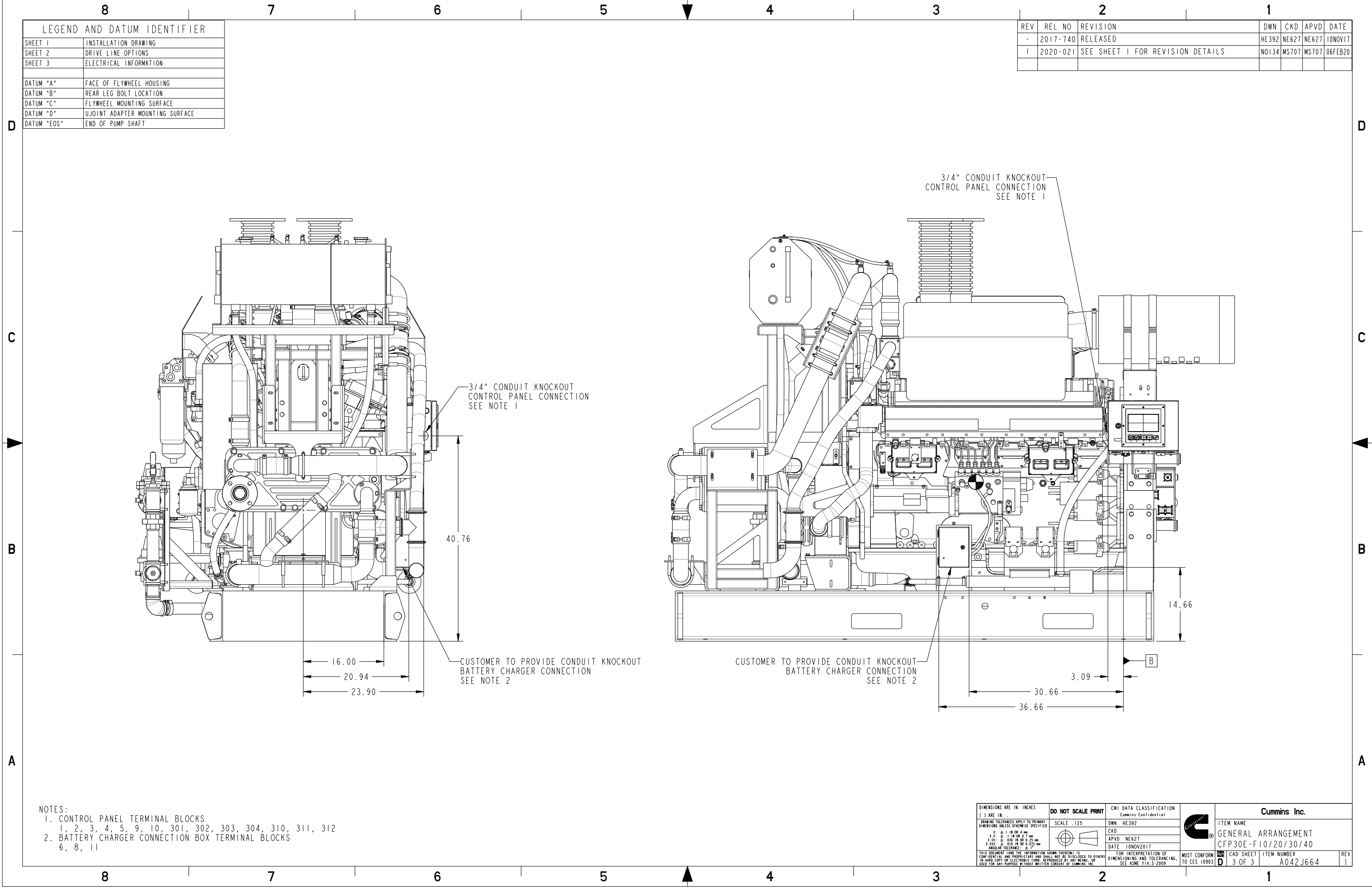
REV	REL NO	REVISION	DWN	CKD	APVD	DATE
-	2017-740	RELEASED	HE392	NE627	NE627	10NOV17
1	2020-021	SEE SHEET 1 FOR REVISION DETAILS	NO134	MS707	MS707	06FEB20



NON UL LISTED APT225 SERIES U3200
SHORT COUPLED SHAFT
ESTIMATED WEIGHT: 125 LBS

- NOTE:
1. TORSIONAL ANALYSIS REQUIRED FOR VERTICAL TURBINE INSTALLATION
 2. REFERENCE OWNERS MANUAL FOR DRIVE SHAFT ALIGNMENT SPECS
 3. DRAWING SUBJECT TO CHANGE WITHOUT NOTICE
 4. REFERENCE SHEET 1 FOR BASE FIRE PUMP INTERFACE

<small>DIMENSIONS ARE IN: INCHES</small> <small>1, 1 ARE IN:</small> <small>DRAWING TOLERANCES APPLY TO PRIMARY DIMENSIONS UNLESS OTHERWISE SPECIFIED</small> <small>X: ± .1 IN OR 4 mm</small> <small>X.X: ± .01 IN OR 0.7 mm</small> <small>X.XX: ± .005 IN OR 0.25 mm</small> <small>X.XXX: ± .001 IN OR 0.025 mm</small> <small>ANGULAR TOLERANCE: ±</small>	<small>DO NOT SCALE PRINT</small> <small>SCALE .060</small>	<small>CMV DATA CLASSIFICATION</small> <small>Cummins Confidential</small> <small>DWN HE392</small> <small>CKD</small> <small>APVD NE627</small> <small>DATE 10NOV2017</small>		<small>Cummins Inc.</small>			
				<small>ITEM NAME</small> <small>GENERAL ARRANGEMENT</small> <small>CFP30E-F10/20/30/40</small>			
<small>THIS DOCUMENT AND THE INFORMATION SHOWN HEREON IS CONFIDENTIAL AND PROPRIETARY AND SHALL NOT BE DISCLOSED TO OTHERS IN HARD COPY OR ELECTRONIC FORM, REPRODUCED BY ANY MEANS, OR USED FOR ANY PURPOSE WITHOUT WRITTEN CONSENT OF CUMMINS INC.</small>			<small>FOR INTERPRETATION OF DIMENSIONING AND TOLERANCING, SEE ASME Y14.5-2009</small>	<small>MUST CONFORM TO CES 10903</small>	<small>CAD SHEET</small> <small>2 OF 3</small>	<small>ITEM NUMBER</small> <small>A042J664</small>	<small>REV</small> <small>1</small>



LEGEND AND DATUM IDENTIFIER	
SHEET 1	INSTALLATION DRAWING
SHEET 2	DRIVE LINE OPTIONS
SHEET 3	ELECTRICAL INFORMATION
DATUM "A"	FACE OF FLYWHEEL HOUSING
DATUM "B"	REAR LEG BOLT LOCATION
DATUM "C"	FLYWHEEL MOUNTING SURFACE
DATUM "D"	UJOINT ADAPTER MOUNTING SURFACE
DATUM "EOS"	END OF PUMP SHAFT

REV	REL NO	REVISION	DWN	CKD	APVD	DATE
-	2017-740	RELEASED	HE392	NE627	NE627	10NOV17
1	2020-021	SEE SHEET 1 FOR REVISION DETAILS	NO134	MS707	MS707	06FEB20

- NOTES:
- CONTROL PANEL TERMINAL BLOCKS
1, 2, 3, 4, 5, 9, 10, 301, 302, 303, 304, 310, 311, 312
 - BATTERY CHARGER CONNECTION BOX TERMINAL BLOCKS
6, 8, 11

DIMENSIONS ARE IN: INCHES () ARE IN:	DO NOT SCALE PRINT SCALE .125	CMI DATA CLASSIFICATION Cummins Confidential		Cummins Inc.	
				ITEM NAME GENERAL ARRANGEMENT CFP30E-F10/20/30/40	
DRAWING TOLERANCES APPLY TO PRIMARY DIMENSIONS UNLESS OTHERWISE SPECIFIED X: ± .005 IN OR 0.127 mm Y: ± .010 IN OR 0.254 mm Z: ± .015 IN OR 0.381 mm ANGULAR TOLERANCE: ± .010 IN OR 0.254 mm		DWN HE392 CKD APVD NE627 DATE 10NOV2017	FOR INTERPRETATION OF DIMENSIONING AND TOLERANCING, SEE ASME Y14.5-2009	MUST CONFORM TO CES 10903	CAD SHEET 3 OF 3 ITEM NUMBER A042J664 REV 1