

Revision: C.6

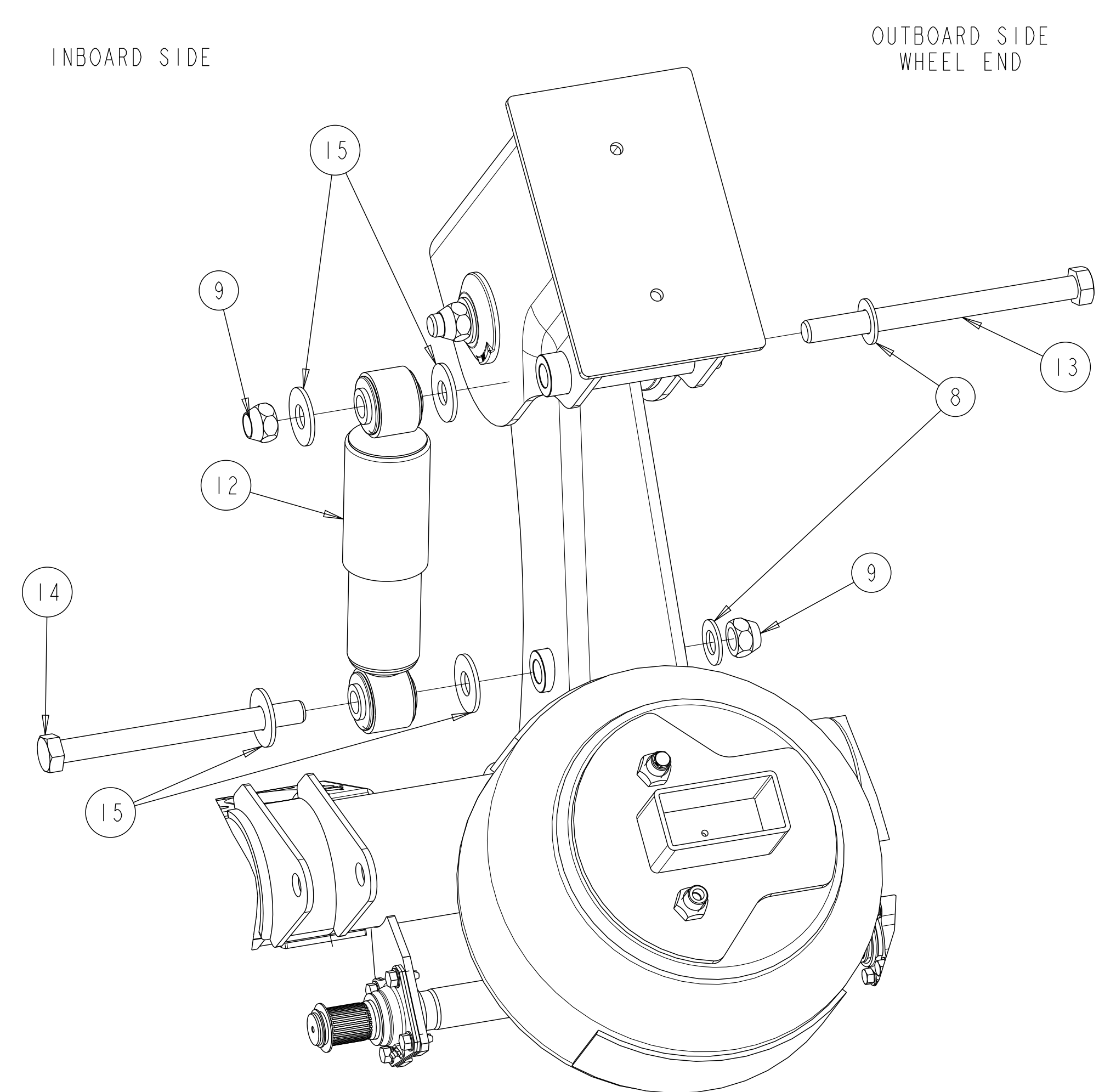
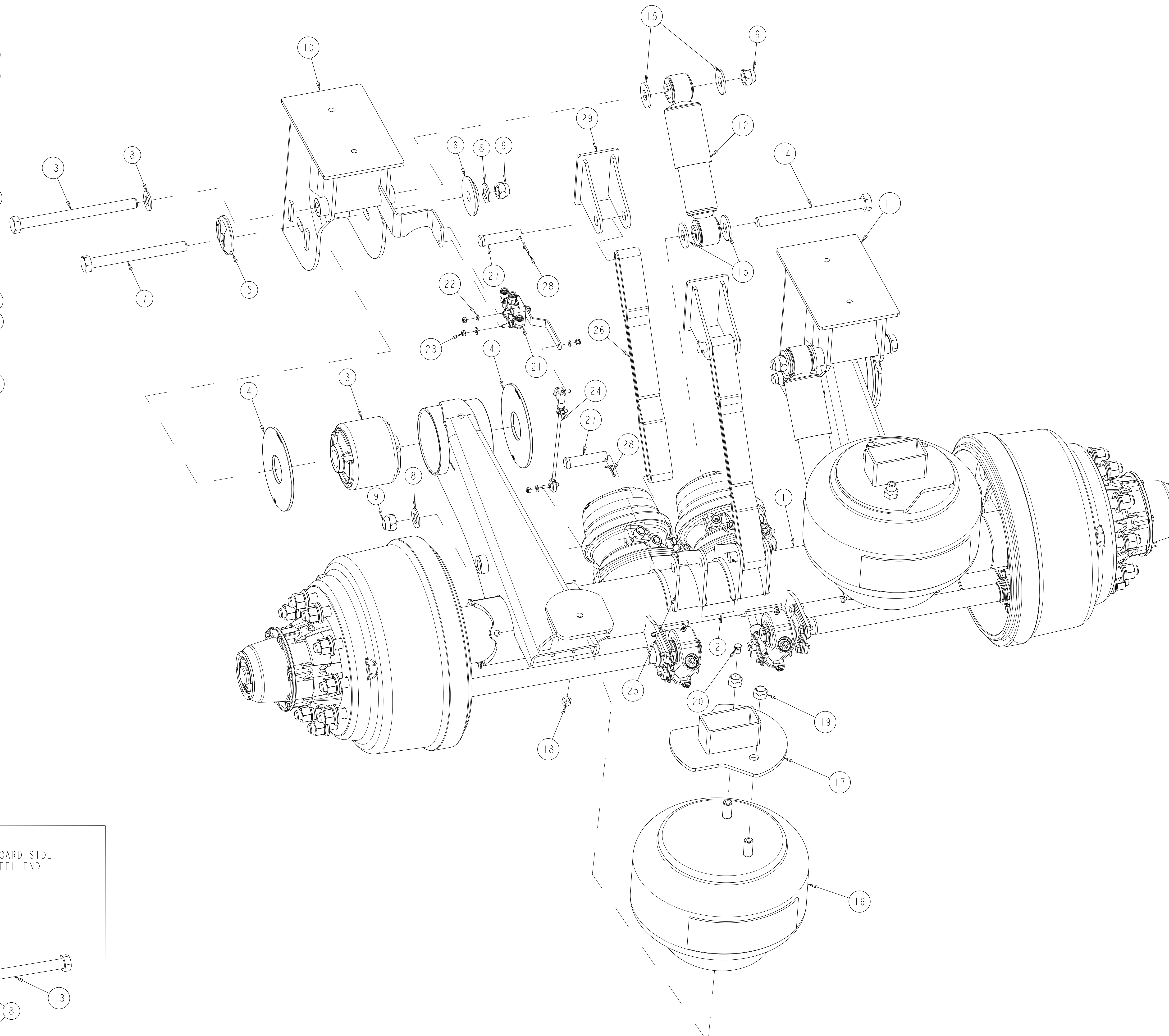
STATE: Engineering Released

EXPORT_CONTROL: HARD_WARE=EAR - EAR99,EXPORT_CONTROL=EAR - EAR99

ITEM #	PART NAME	PART NUMBER	QTY
1	AXLE ASSY-TRAILER	SEE BIL OF MATERIAL	1
2	NAME PLATE	2297-T-8652	1
3	PIVOT BUSH MOULDING	A-1225C1537	2
4	WEAR WASHER	21226663	4
5	WASHER ECCENTRIC	21226276	2
6	WASHER SPECIAL	21226275	2
7	SCREW-CAP (.875-9 UNC X 9)	S-21472-M-2	2
8	WASHER-HARDENED	122905295	6
9	NUT (PREVAILING TORQUE)	1227X1766	6
10	FRAME BRKT-LH	SEE BIL OF MATERIAL	1
11	FRAME BRKT-RH	SEE BIL OF MATERIAL	1
12	ABSORBER-SHOCK	A-7805-F-1020	2
13	SCREW-CAP (.875-9 UNC X 11)	S-21488-M-2	2
14	SCREW-CAP (.875-9 UNC X 10)	S-21480-M-2	2
15	WASHER-FLAT	1229R5296	8
16	SPRING-AIR	A-2258-Q-1577	2
17	AIR SPRING PEDESTAL	SEE BILL OF MATERIAL	2
18	NUT-LOCK,FIN	1227-B-1614	2
19	NUT-LOCK,FIN	1227-M-1573	4
20	PLUG	1250H1308	2
21	VALVE-HEIGHT CONTROL	SEE BIL OF MATERIAL	1
22	WASHER-FLAT	WA-34	2
23	NUT-LOCK,FIN.	NL-24-1	2
24	LINKAGE-HEIGHT CONTROL	A-1245X1220	1
25	BRACKET	A-3155-K-1441	2
26	STRAP	1199-P-4046	2
27	PIN, CLEVIS	19X-1190	4
28	COTTER PIN	K-2412	4
29	BRACKET	A1-3155W1453	2

(B1)
(B2)
(B3)
(C3)
(C1)
(C2)

* AXLE ASSY-TRAILER INCLUDES ITEM #25



SHOCK INSTALLATION
COMPONENTS HIDDEN FOR CLARITY

SIM. PARTS			
5-67937J.01			
REVISIONS			
A	RELEASED 5-67937N.01 FOR PRODUCTION	122507 14-Jan-14	KHK VMR
B	B1- 122905295 WAS 200259-6 B2- 1227X1766 WAS 1227R1604 B3- 1229R5296 WAS 1229M4979	ECN-137447 02-07-17	JMK VL
C	1- ITEM #21 UPDATED RHCV REPRESENTATION 2- ITEM #24 PN WAS 203159-5 3- ITEM #20 QTY WAS 4	ECN-167907 15-JUN-20	VMJ SD

CAD FILES		
FILE NAME	REV.	VER
DRAWING 5-67937N	C.5	
ASSEM 5-67937N	C.5	

DO NOT CHANGE MANUALLY

MTA30T SUSPENSION
WITH CHECK STRAPS

122507	PART/DWG NO. 5-67937N-01	EDC 11707															
RELEASE	NAME LAYOUT - MTA30T EXPLODE	PAGE 1 OF 1															
<table border="1"> <tr> <td>APPROVED</td> <td>DRAWN BY</td> <td>CHECKED BY</td> <td>3RD ANGLE PROJECTION</td> <td>DRAWING SIZE</td> </tr> <tr> <td>S.S.</td> <td>V.M.R.</td> <td>K.H.K.</td> <td></td> <td>E</td> </tr> <tr> <td colspan="2">C.H. T.E. NO. PCCR 128544</td> <td>ORIGINAL FOR MTA30T</td> <td>SCALE 1:4</td> <td>DESIGN CONTROL GROUP W.W. TRAILER PRODUCTS</td> </tr> </table>			APPROVED	DRAWN BY	CHECKED BY	3RD ANGLE PROJECTION	DRAWING SIZE	S.S.	V.M.R.	K.H.K.		E	C.H. T.E. NO. PCCR 128544		ORIGINAL FOR MTA30T	SCALE 1:4	DESIGN CONTROL GROUP W.W. TRAILER PRODUCTS
APPROVED	DRAWN BY	CHECKED BY	3RD ANGLE PROJECTION	DRAWING SIZE													
S.S.	V.M.R.	K.H.K.		E													
C.H. T.E. NO. PCCR 128544		ORIGINAL FOR MTA30T	SCALE 1:4	DESIGN CONTROL GROUP W.W. TRAILER PRODUCTS													
<table border="1"> <tr> <td>APPLY SPECIFIED MERITOR MARKINGS PER DRAFTING ENGINEERING STANDARDS D-004</td> <td>THIS PRINT IS LOANED ON A CONFIDENTIAL BASIS SUBJECT TO RETURN UPON DEMAND BY MERITOR AND NOTHING HEREON MAY BE REPRODUCED, USED OR DISCLOSED IN WHOLE OR IN PART WITHOUT THE PRIOR WRITTEN PERMISSION OF MERITOR.</td> <td>MATERIAL</td> <td>PROCESS</td> <td>INQUIRY NO.</td> <td>C.H. T.E. NO. PCCR 128544</td> <td>APP. NO.</td> <td>PART NO.</td> </tr> </table>			APPLY SPECIFIED MERITOR MARKINGS PER DRAFTING ENGINEERING STANDARDS D-004	THIS PRINT IS LOANED ON A CONFIDENTIAL BASIS SUBJECT TO RETURN UPON DEMAND BY MERITOR AND NOTHING HEREON MAY BE REPRODUCED, USED OR DISCLOSED IN WHOLE OR IN PART WITHOUT THE PRIOR WRITTEN PERMISSION OF MERITOR.	MATERIAL	PROCESS	INQUIRY NO.	C.H. T.E. NO. PCCR 128544	APP. NO.	PART NO.							
APPLY SPECIFIED MERITOR MARKINGS PER DRAFTING ENGINEERING STANDARDS D-004	THIS PRINT IS LOANED ON A CONFIDENTIAL BASIS SUBJECT TO RETURN UPON DEMAND BY MERITOR AND NOTHING HEREON MAY BE REPRODUCED, USED OR DISCLOSED IN WHOLE OR IN PART WITHOUT THE PRIOR WRITTEN PERMISSION OF MERITOR.	MATERIAL	PROCESS	INQUIRY NO.	C.H. T.E. NO. PCCR 128544	APP. NO.	PART NO.										

