

DUAL WHEEL APPLICATION

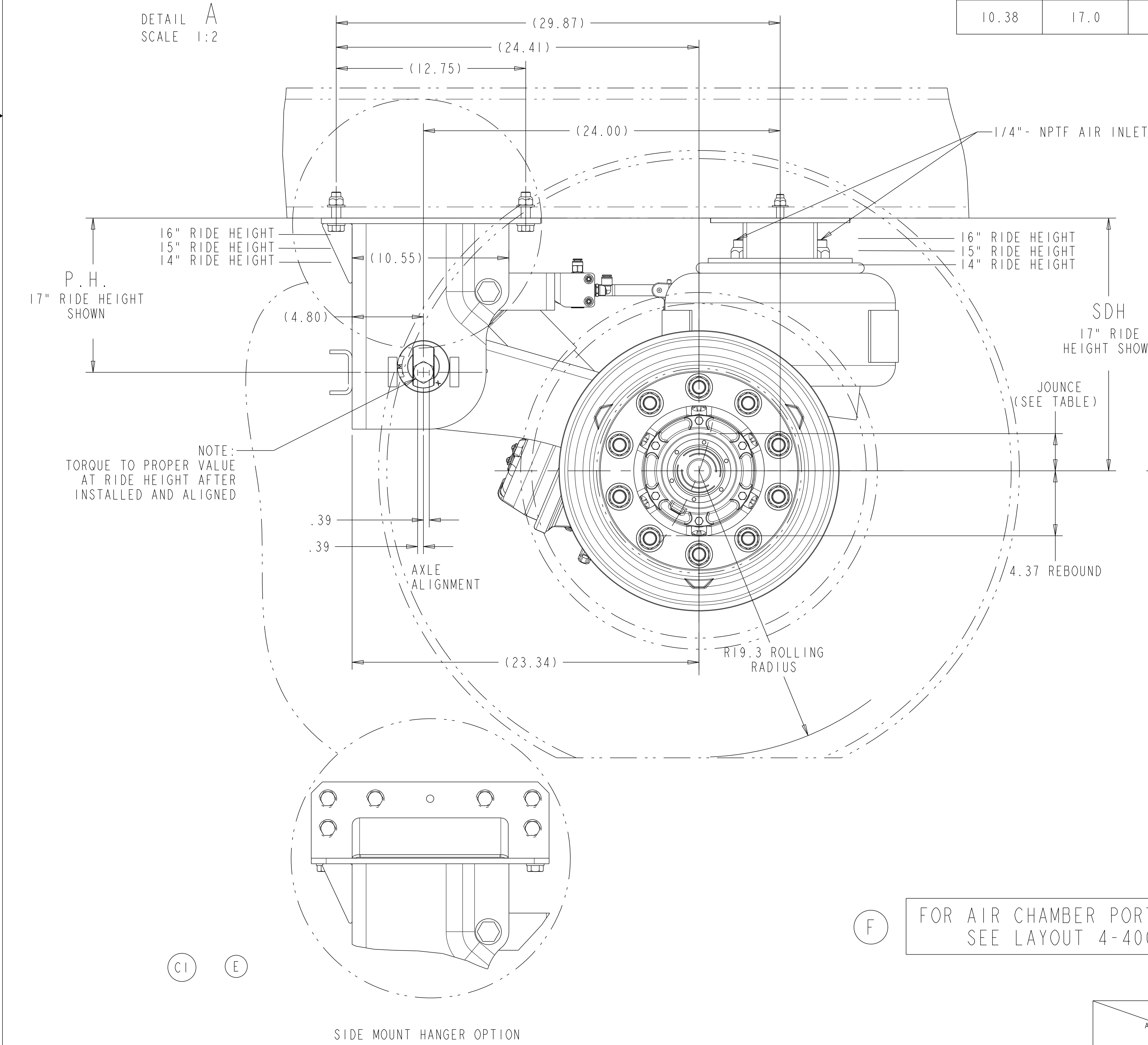
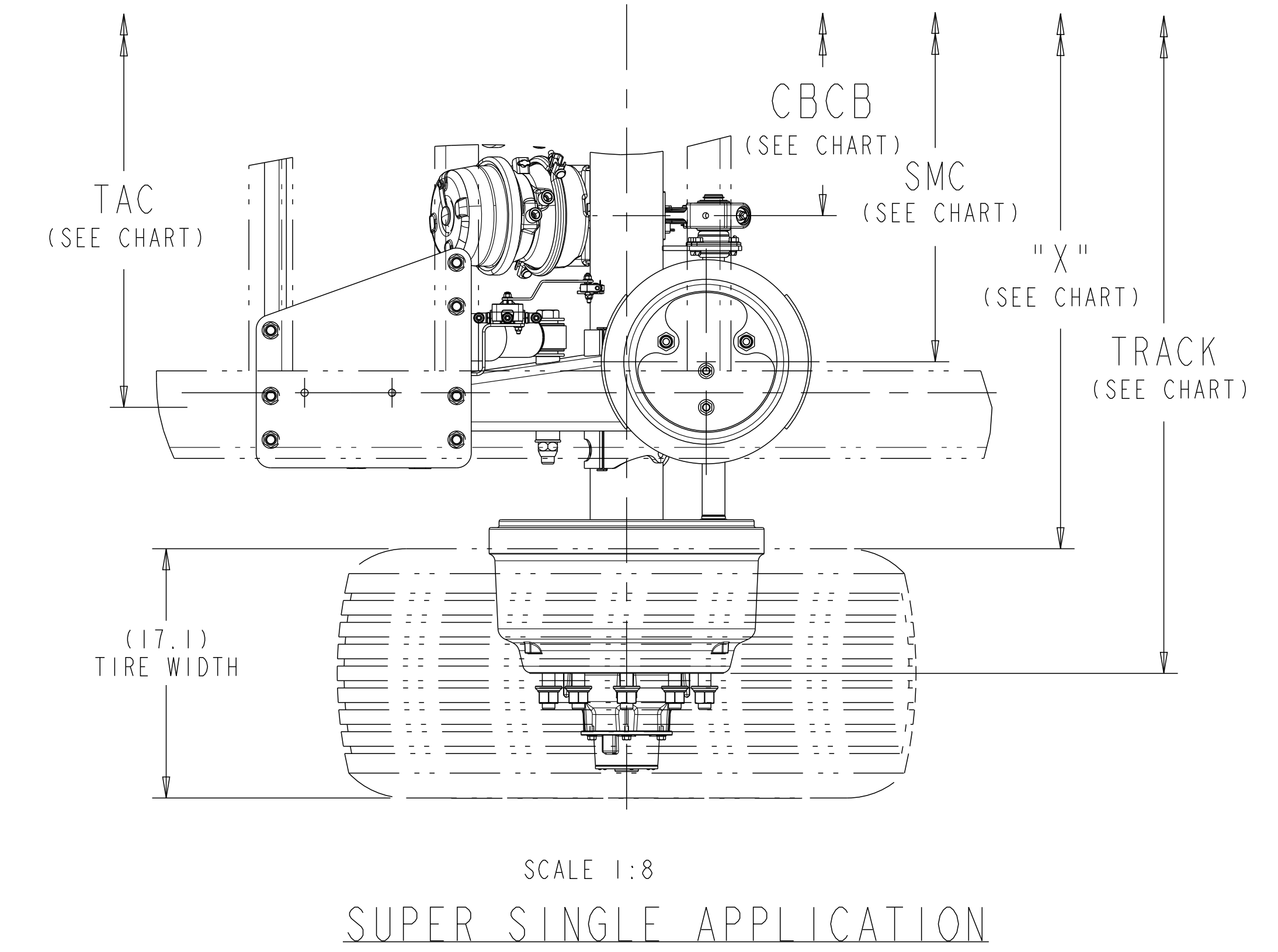
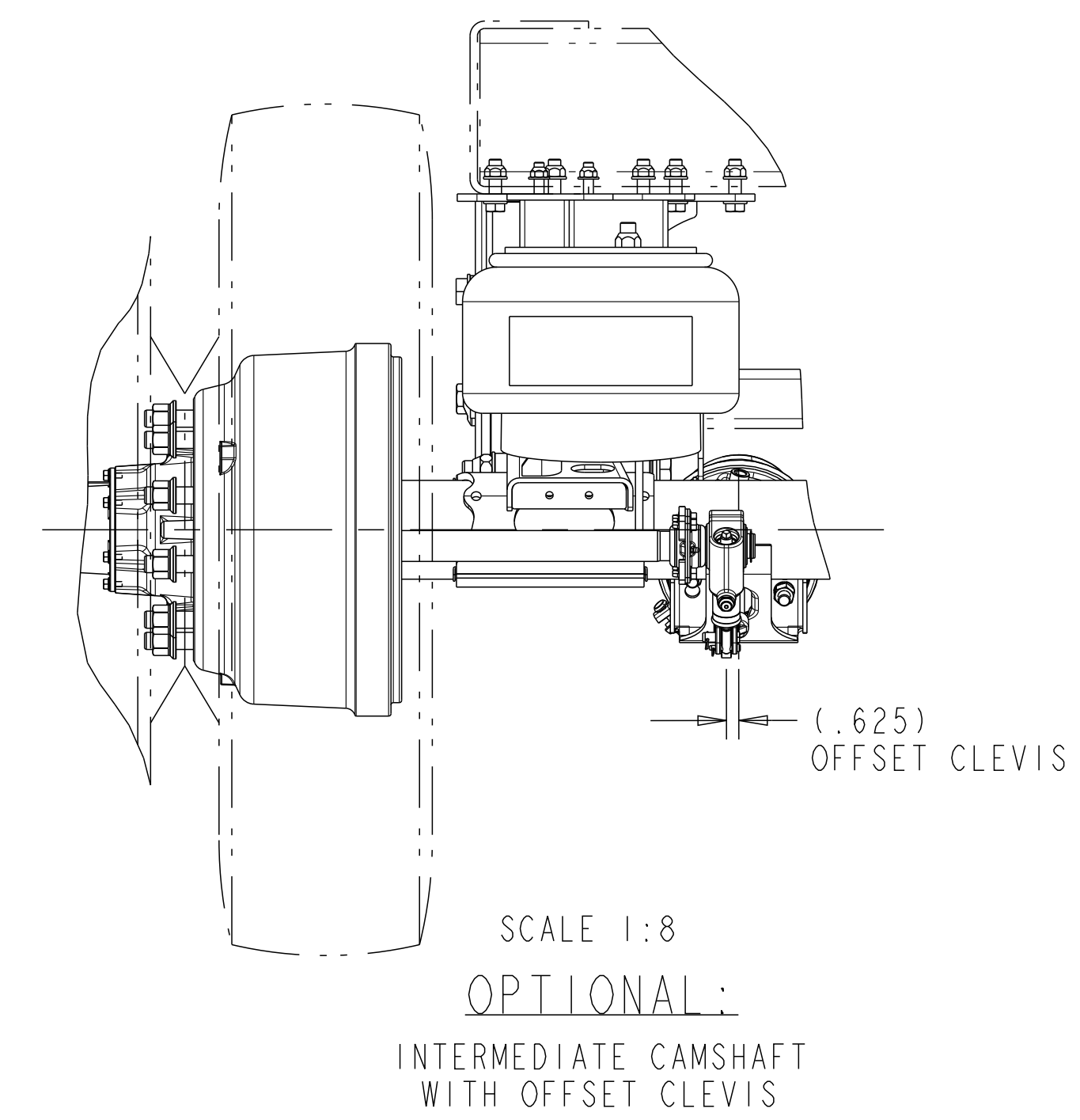
TYP. SHOCK INSTALLATION
 (SHOCK TO BE INSTALLED BEFORE AIR CHAMBER)

DETAIL A
 SCALE 1:2

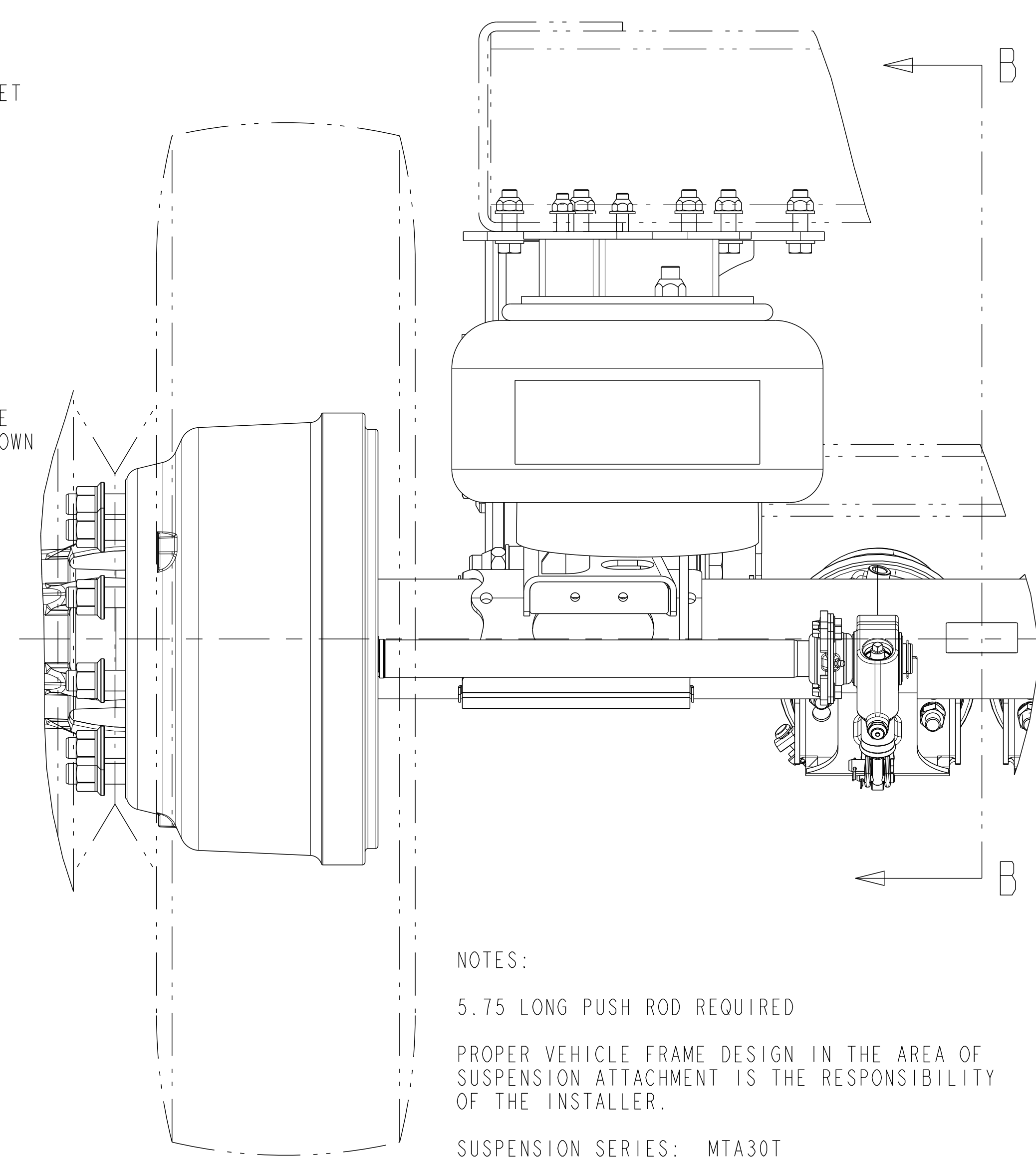
PH	SDH	RIDE HEIGHT	OUNCE
7.38	14.0	14"	2.9
8.38	15.0	15"	2.9
9.38	16.0	16"	3.0
10.38	17.0	17"	3.0

APPLICATION	STD TRACK REF	CAM CLOCKING	"X" REF	CBCB REF	SMC	TAC
DUAL WHEEL	77.5	BAR-99°	52.4	20.82	34.75	41.0
DUAL WHEEL	71.5	BAR-99°	46.4	14.82	28.75	35.0
● SUPER SINGLE	83.5	BAR-99°	66.4	20.71	40.75	47.0

SIM. PARTS			
5-66734P_01			
REVISIONS			
C	1) REMOVED REF. HOLE PATTERN, NOW SHOWN ON 5-66241AG_01, 2) WAS 1/2" FROM TOOLING HOLE	116459 10/10/11	CH SS
D	ADDED PAGE-2 WITH CAMS FRONT DETAILS.	118233 30-Mar-12	DP SVM
E	ADDED SIDE MOUNT HANGER VIEW	121032 03/11/13	CH SS
F	ADDED AIR CHAMBER PORT LOCATION NOTE.	123868 03-Apr-14	SD AK
G	UPDATED RHCV REPRESENTATION	ECN-165357 15-JUL-20	EN SD



(F) FOR AIR CHAMBER PORT LOCATION SEE LAYOUT 4-40072-01



NOTES:

5.75 LONG PUSH ROD REQUIRED

PROPER VEHICLE FRAME DESIGN IN THE AREA OF SUSPENSION ATTACHMENT IS THE RESPONSIBILITY OF THE INSTALLER.

SUSPENSION SERIES: MTA30T

SUSPENSION STATIC DESIGN CAPACITY = 30,000 LBS

● RATING BASED ON APPLICATION APPROVAL

RATINGS FOR THE COMPONENTS WITHIN AN INDIVIDUAL MERITOR SUPPLIED SUSPENSION ASSEMBLY, INCLUDING BRAKES, HUBS, AND BEARINGS, MAY VARY AND MAY NOT BE EQUAL TO THE NOMINAL SUSPENSION RATING.

NO WELDING OR DRILLING ALLOWED ON TRAILING ARMS. NO WELD WITHIN .25" OF FRAME BRACKET TOOLING HOLES.

FOR FINAL INSTALLATION TO TRAILER REFER TO 5-67623F_01 & 5-66241AG_01

REFER TO SHOP CHART 4-60559_37 FOR TORQUE INFORMATION

DATA BASED ON:
 DUAL: TIRE SIZE: 11R22.5
 WHEEL OFFSET: 6.62
 SINGLE: TIRE SIZE: 445/50R22.5
 WHEEL OFFSET: .56

FOR CAMS FRONT DETAILS SEE PAGE 2

FILE NAME	REV. VER
5-67624L	G.6
5-67624L	G.6

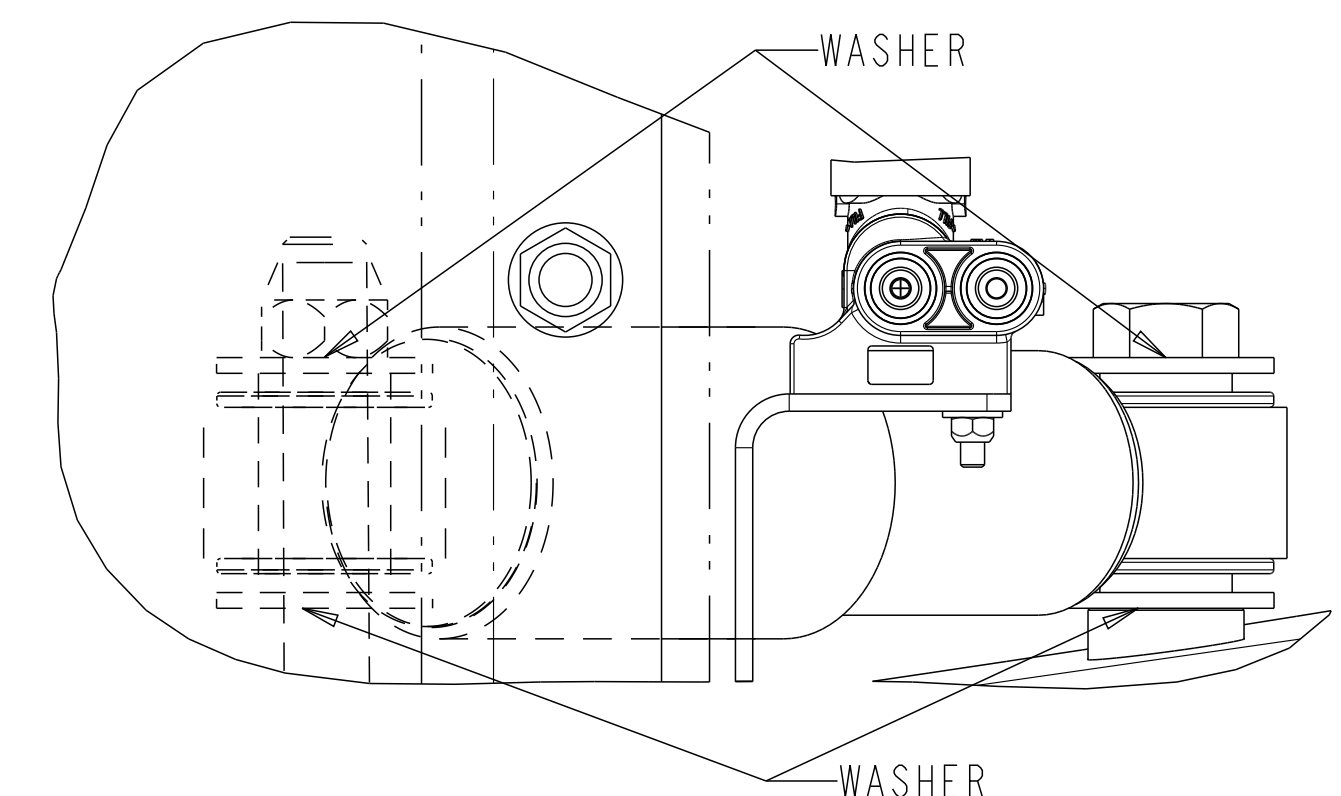
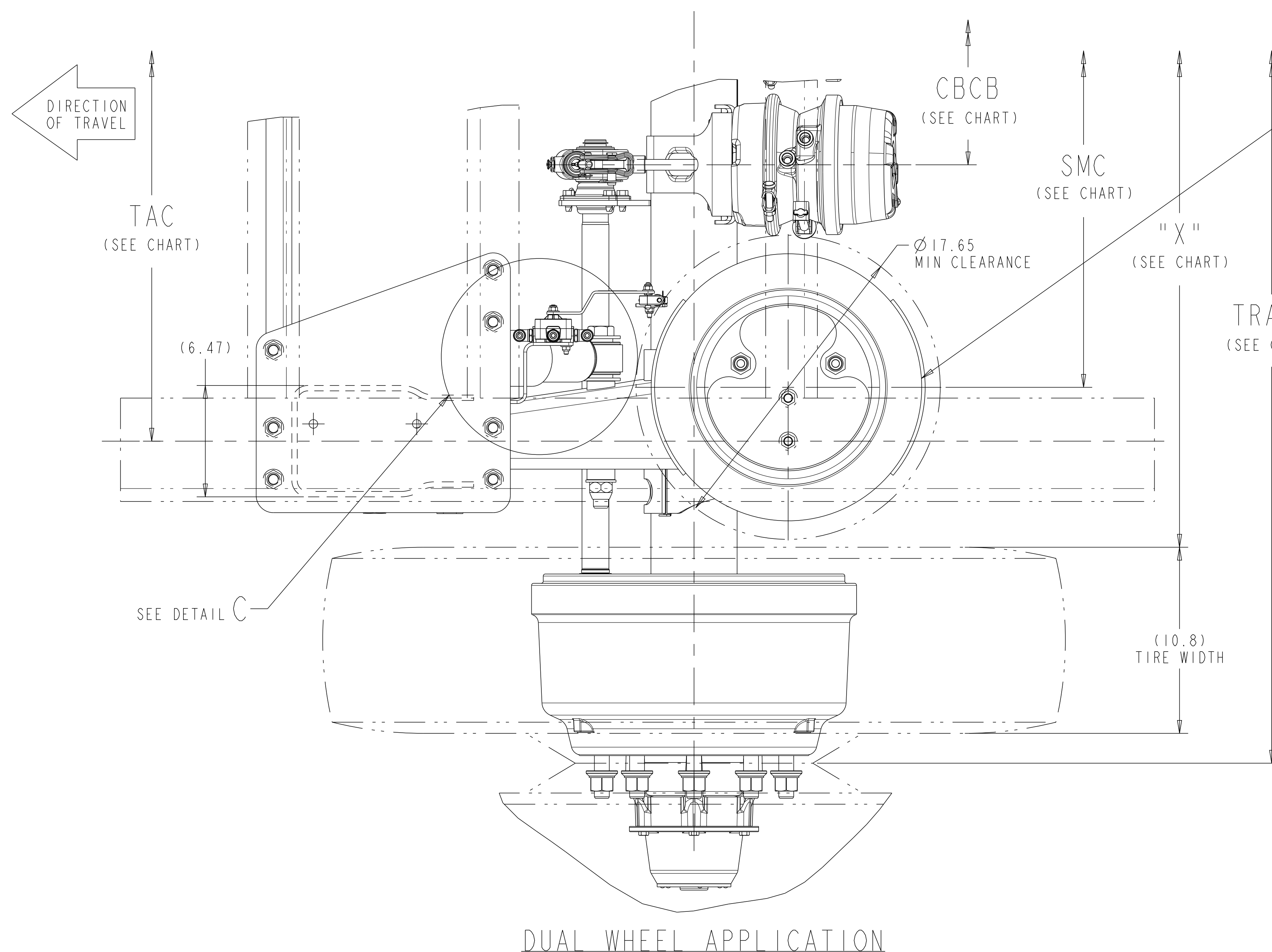
APPLY SPECIFIED MERITOR MARKINGS PER DRAFTING ENGINEERING STANDARDS D-004		THIS PRINT IS LOANED ON A CONFIDENTIAL BASIS SUBJECT TO RETURN UPON DEMAND BY MERITOR AND NOTHING HEREON MAY BE REPRODUCED, USED OR DISCLOSED IN WHOLE OR IN PART WITHOUT THE PRIOR WRITTEN PERMISSION OF MERITOR.		MATERIAL		SEE BILL OF MATERIAL FOR SPECIFIC INDIVIDUAL MODEL INFORMATION		PART/DWG NO. 5-67624L-01		EDC 00050	
PROCESS		APPROVED		DRAWN BY		CHECKED BY		3RD ANGLE PROJECTION		DRAWING SIZE	
C.H. 01-17-11		S.S. 01-18-11		C.H. 01-17-11		S.S. 01-18-11		E		MERITOR INCH	
C.H. 01-17-11		S.S. 01-18-11		C.H. 01-17-11		S.S. 01-18-11		E		W.W. TRAILER PRODUCTS	
4 IN. 10THS. 100MM		WEIGHT RGH./FIN.		INQUIRY NO.		C.H./T.E. NO. 118545		SCALE 1:4		DESIGN CONTROL GROUP	

DO NOT CHANGE MANUALLY

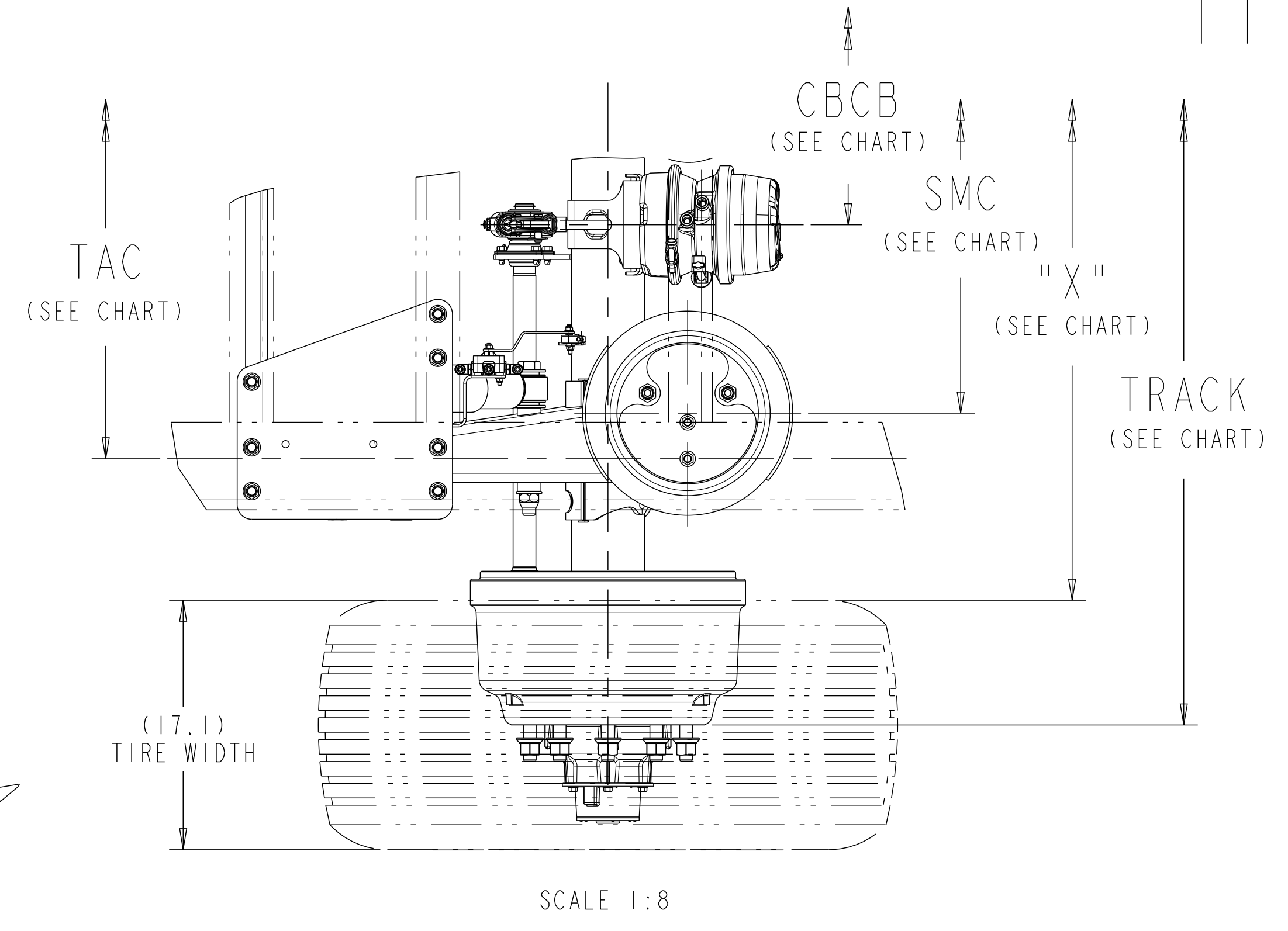
Revision: G.6
 STATE: Engineering Released
 EXPORT_CONTROL: HARD_WARE=EAR - EAR99, EXPORT_CONTROL=EAR - EAR99

APPLICATION	STD TRACK REF	CAM CLOCKING	"X" REF	CBCB REF	SMC	TAC
DUAL WHEEL	77.5 MIN	BAF-253°	52.4	8.89	34.75	41.0
● SUPER SINGLE	83.5	BAF-253°	66.4	14.89	40.75	47.0

SIM PARTS		
5-66240L_01		
REVISIONS		
D	ADDED PAGE-2 WITH CAMS FRONT DETAILS.	118233 30-Mar-12 DP SVM
E	ADDED SIDE MOUNT HANGER VIEW	121032 03/11/13 CH SS
F	ADDED AIR CHAMBER PORT LOCATION NOTE	123868 03-Apr-14 SD AK
G	UPDATED RHCV REPRESENTATION	ECN-165357 15-JUL-20 EN SD

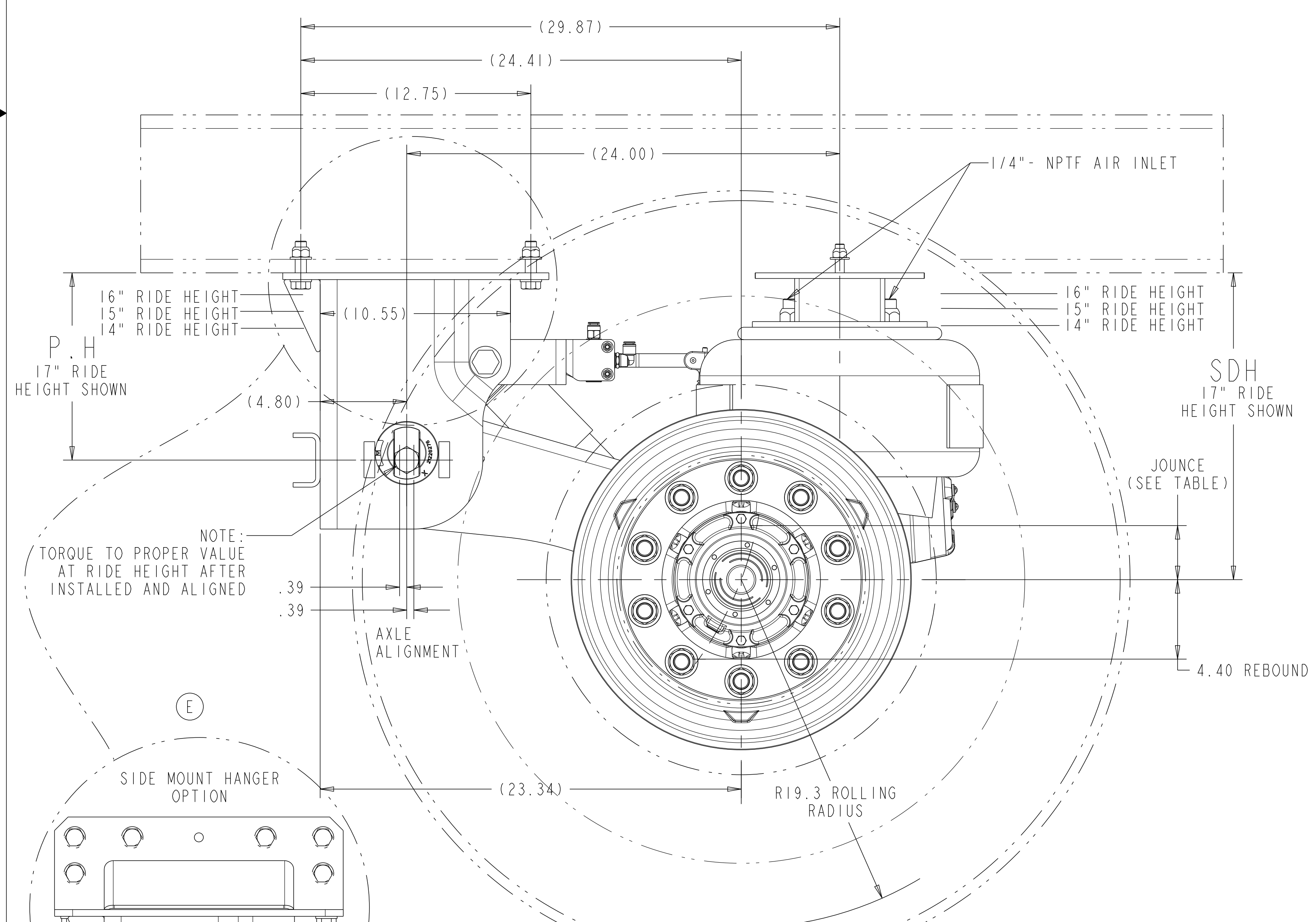


TYP. SHOCK INSTALLATION
 (SHOCK TO BE INSTALLED BEFORE AIR CHAMBER)
 DETAIL C
 SCALE 1:2



SUPER SINGLE APPLICATION

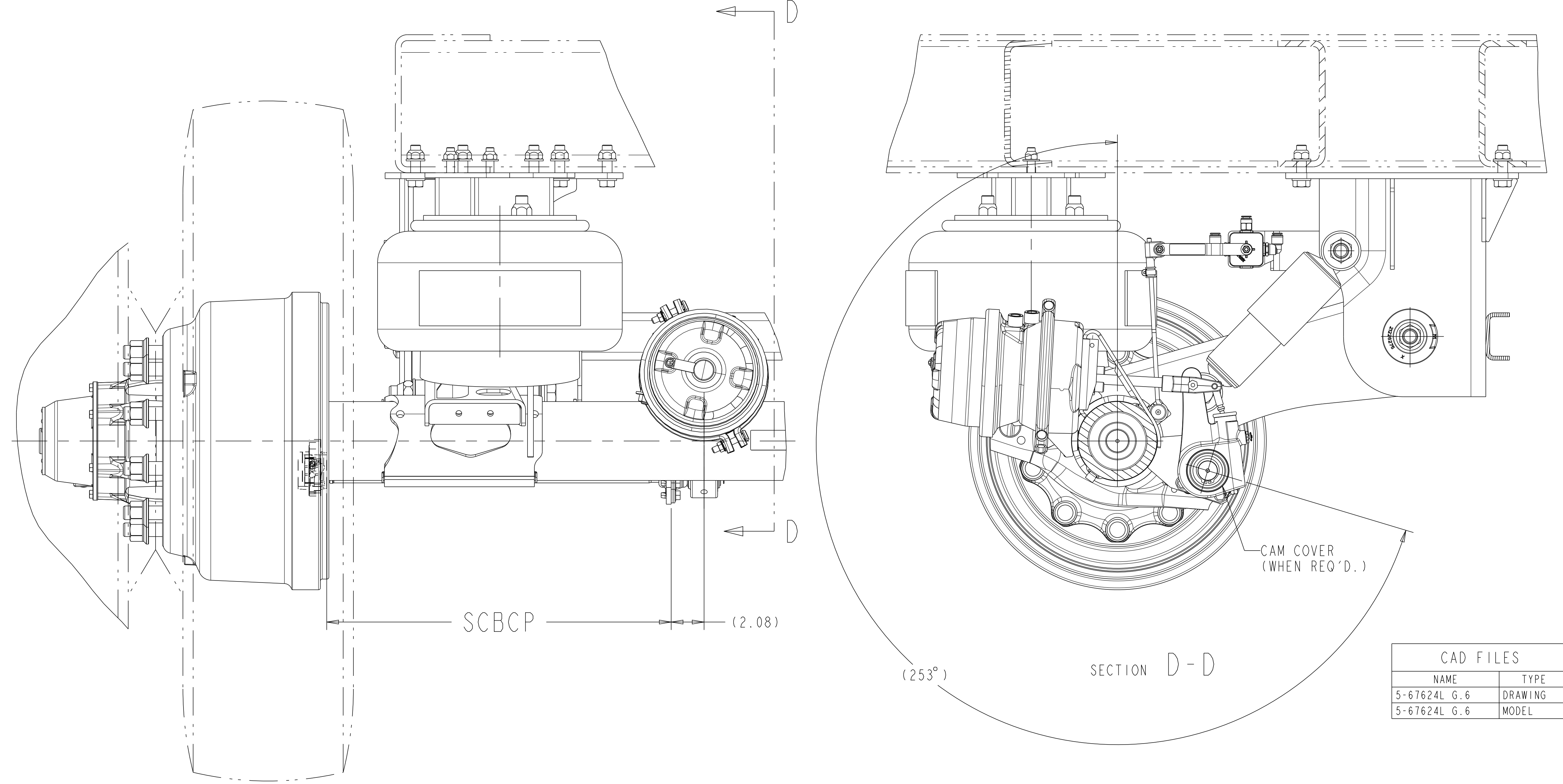
DUAL WHEEL APPLICATION



NOTES:
 5.75 LONG PUSH ROD REQUIRED
 PROPER VEHICLE FRAME DESIGN IN THE AREA OF SUSPENSION ATTACHMENT IS THE RESPONSIBILITY OF THE INSTALLER.
 SUSPENSION SERIES: MTA30T
 SUSPENSION STATIC DESIGN CAPACITY = 30,000 LBS
 ● RATING BASED ON APPLICATION APPROVAL
 RATINGS FOR THE COMPONENTS WITHIN AN INDIVIDUAL MERITOR SUPPLIED SUSPENSION ASSEMBLY, INCLUDING BRAKES, HUBS, AND BEARINGS, MAY VARY AND MAY NOT BE EQUAL TO THE NOMINAL SUSPENSION RATING.
 NO WELDING OR DRILLING ALLOWED ON TRAILING ARMS.
 NO WELD WITHIN .25" OF FRAME BRACKET TOOLING HOLES.

PH	SDH	RIDE HEIGHT	JOUNCE
7.38	14.0	14"	2.9
8.38	15.0	15"	2.9
9.38	16.0	16"	3.0
10.38	17.0	17"	3.0

FOR FINAL INSTALLATION TO TRAILER REFER TO 5-67623F_01 & 5-66241AG_01
 REFER TO SHOP CHART 4-60559-37 FOR TORQUE INFORMATION
 DATA BASED ON:
 DUAL: TIRE SIZE: 11R22.5
 WHEEL OFFSET: 6.62
 SINGLE: TIRE SIZE: 445/50R22.5
 WHEEL OFFSET: .56



CAMS FRONT APPLICATION

FOR AIR CHAMBER PORT LOCATION SEE LAYOUT 4-40072_01

APPLY SPECIFIED MERITOR MARKINGS PER DRAFTING ENGINEERING STANDARDS 0-004	THIS PRINT IS LOANED ON A CONFIDENTIAL BASIS SUBJECT TO RETURN UPON DEMAND BY MERITOR AND NOTHING HEREON MAY BE REPRODUCED, USED OR DISCLOSED IN WHOLE OR IN PART WITHOUT THE PRIOR WRITTEN PERMISSION OF MERITOR.	MATERIAL PROCESS	SEE BILL OF MATERIAL FOR SPECIFIC INDIVIDUAL MODEL INFORMATION		118233	PART/DWG NO. 5-67624L_01	EDC 00050	
			APPROVED PROJ. ENG. MATERIAL SPECIAL	DRAWN BY S.V.M.	CHECKED BY D.P.	3RD ANGLE PROJECTION	DRAWING SIZE E	NAME MTA30T SERIES SUSP. GROUP
4 IN. 10THS. WEIGHT RGR./FIN.		INQUIRY NO.	C.R./T.E. NO. APP. NO.	PCCR 123834	ORIGINAL FOR MTA30T	SCALE 1:4	DESIGN CONTROL GROUP W.W. TRAILER PRODUCTS	PART NO.

DO NOT CHANGE MANUALLY