

FPDP GEN II
 CS P/N A042G185
 SS P/N A042G187

TO OVERLAY

- 1 +3.3V
- 2 AUTO MODE LED
- 3 AUTOMANUAL BUTTON
- 4 MANUAL MODE LED
- 5 ECM A LED
- 6 ECM SELECTOR BUTTON
- 7 GROUND
- 8 CRANK BATT A
- 9 CRANK BATT B
- 10 RESET / STOP BUTTON
- 11 ECM B LED
- 12 GROUND

TO LCD TOUCHSCREEN

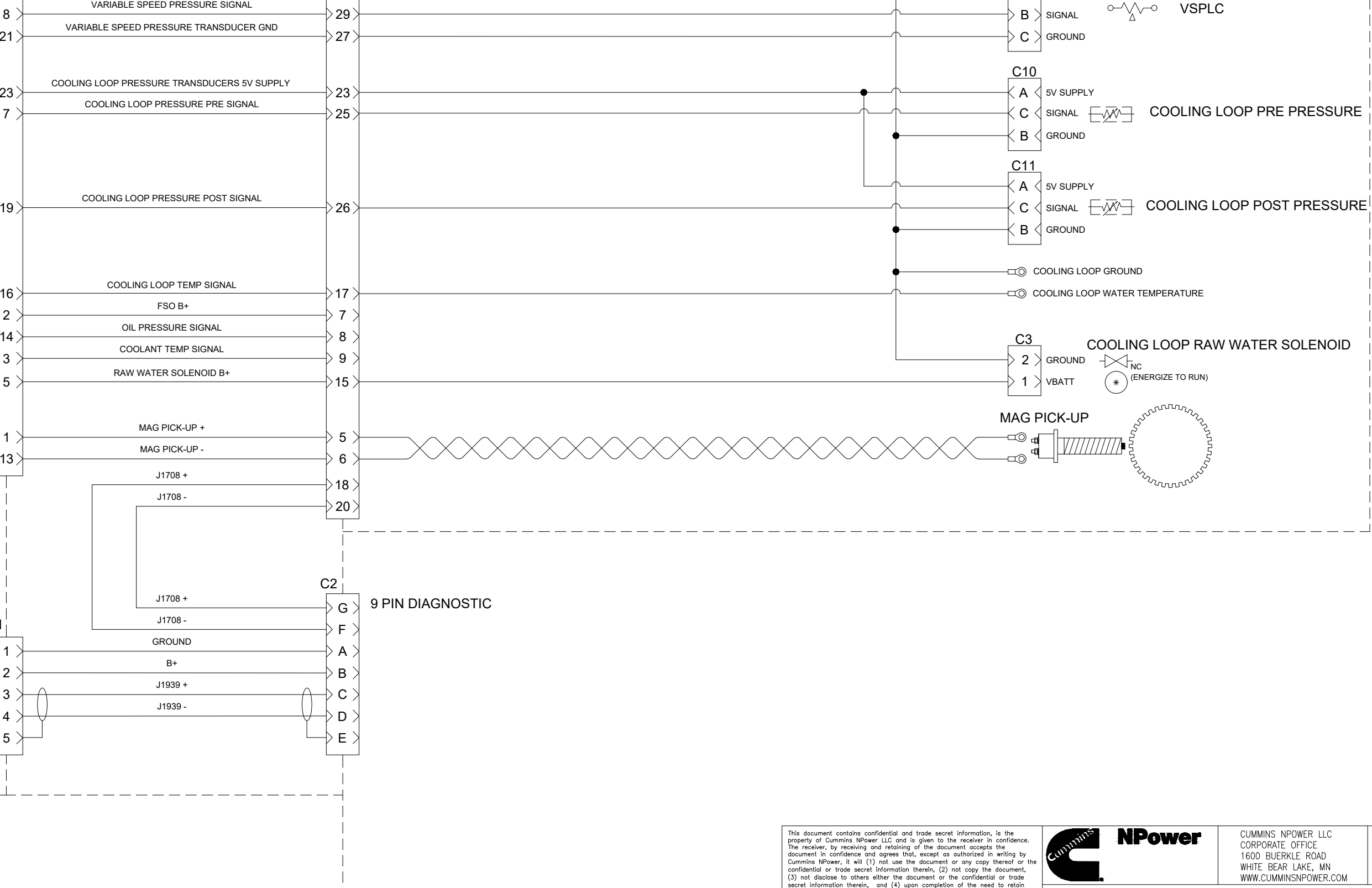
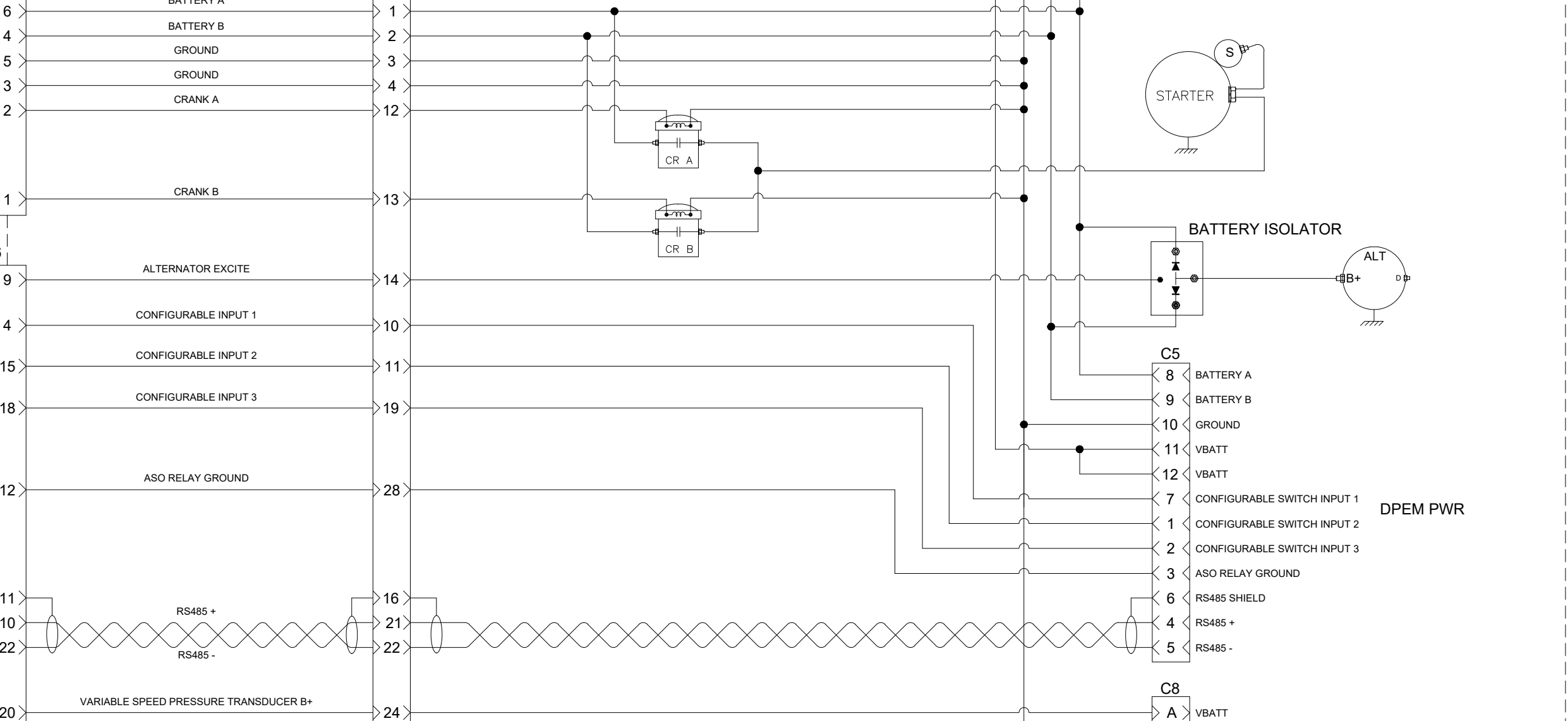
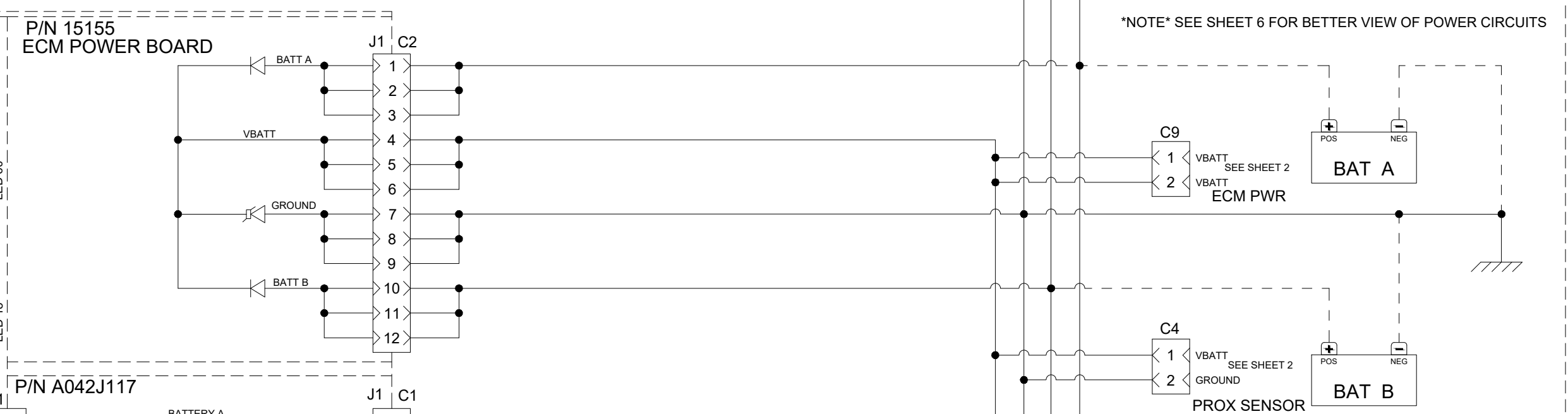
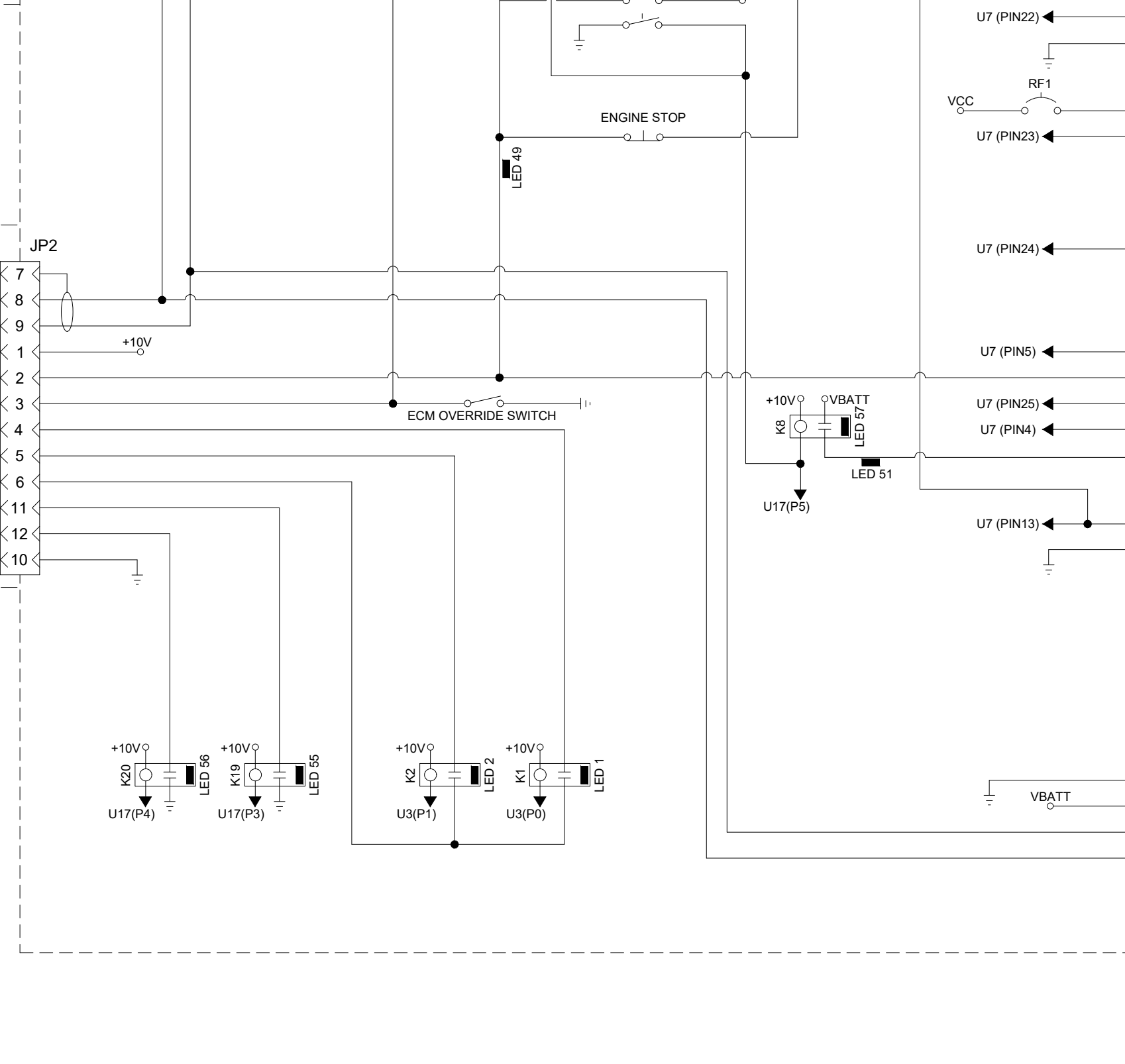
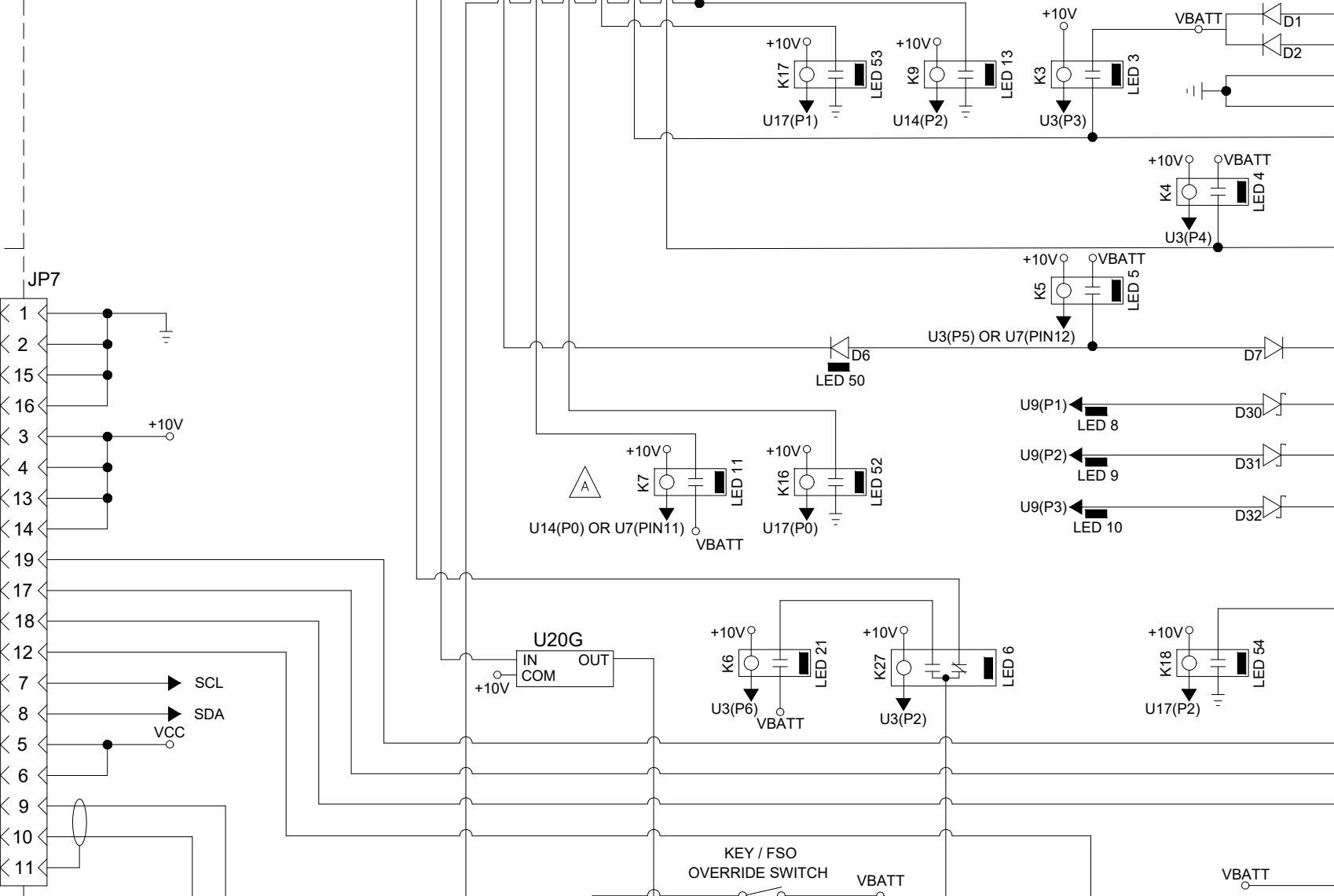
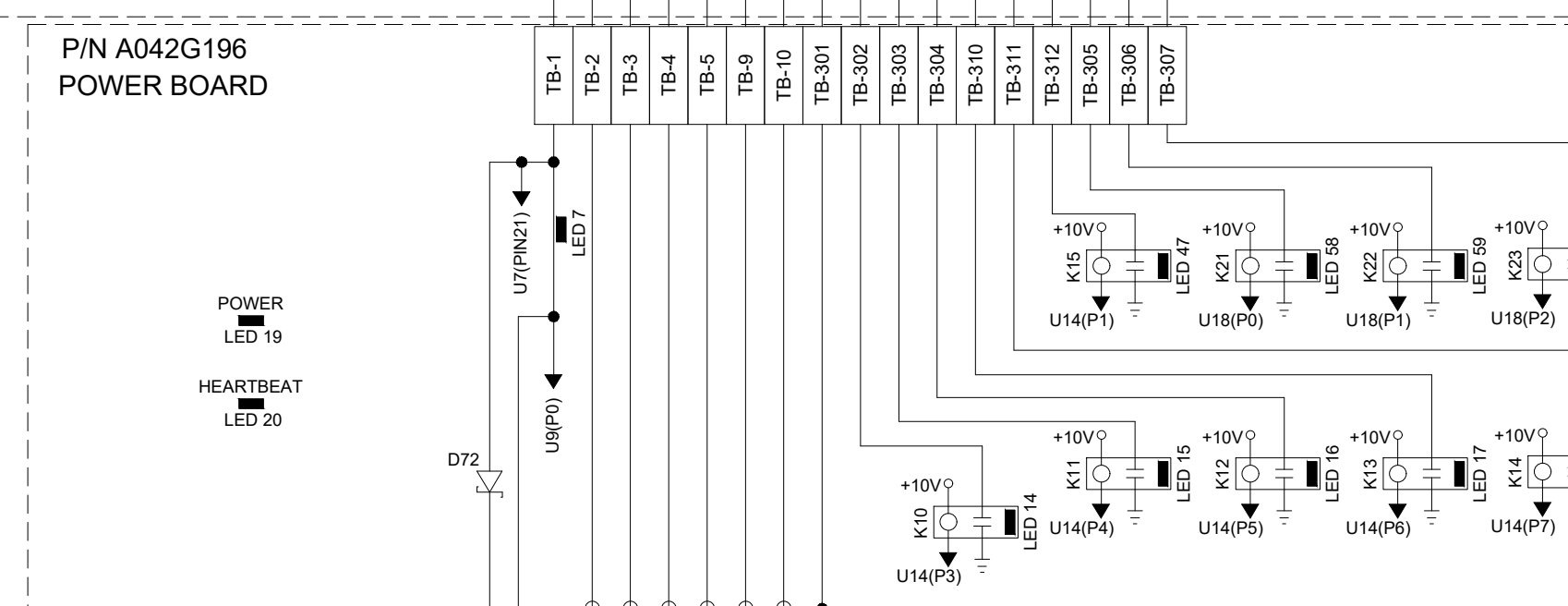
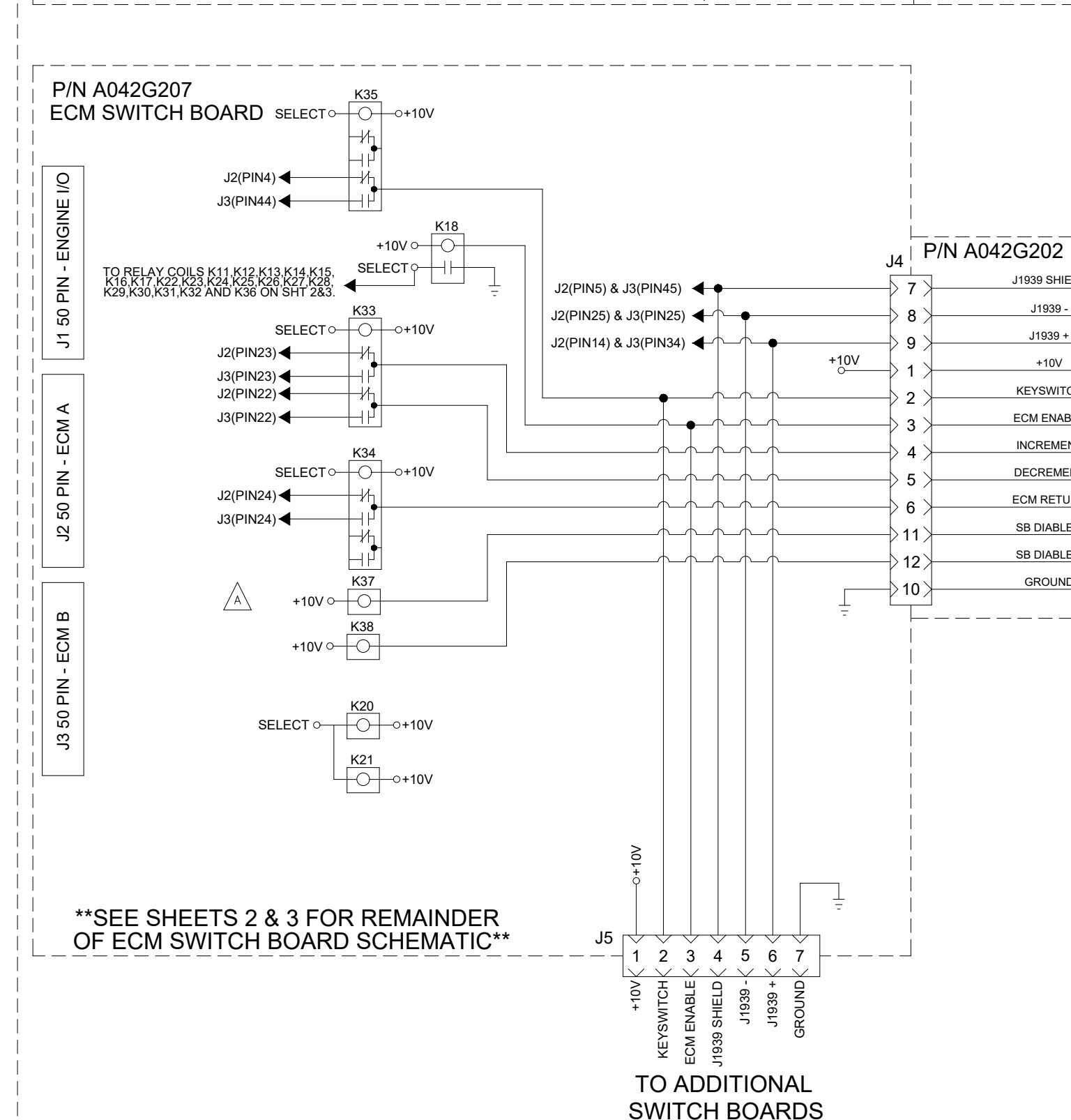
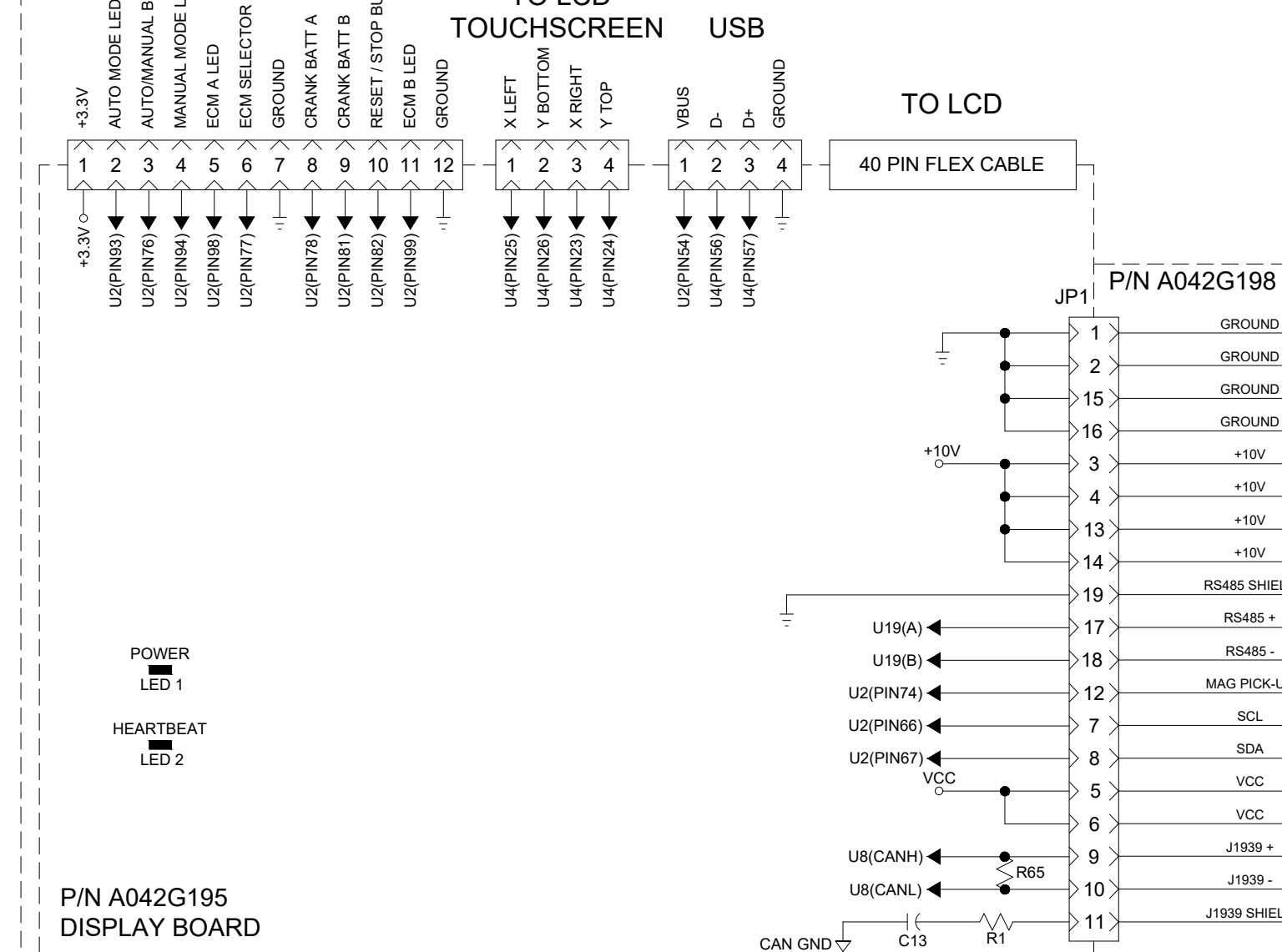
- 1 X LEFT
- 2 Y BOTTOM
- 3 X RIGHT
- 4 Y TOP

TO LCD

- 1 VBUS
- 2 D+
- 3 D-
- 4 GROUND

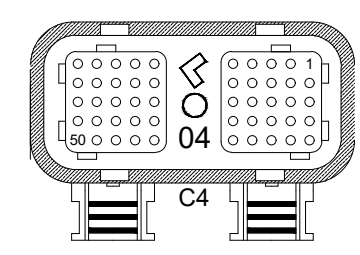
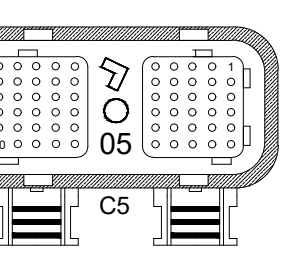
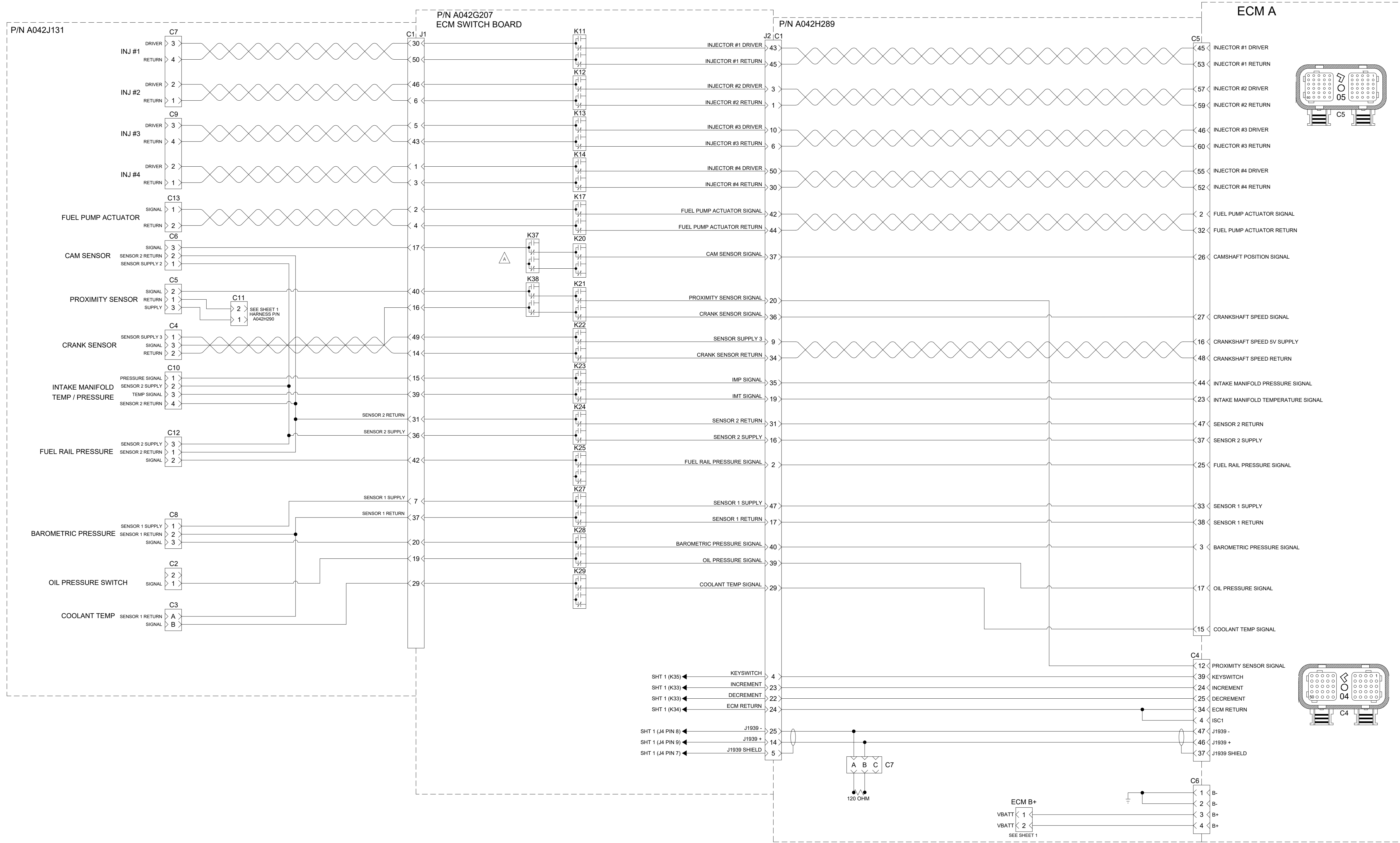
TO ADDITIONAL SWITCH BOARDS

- 1 KEY SWITCH
- 2 ECM ENABLE
- 3 J1939 SHIELD
- 4 J1939 +
- 5 J1939 -
- 6 GROUND
- 7



NOTE SEE SHEET 6 FOR BETTER VIEW OF POWER CIRCUITS

<small>This document contains confidential and trade secret information. It is the property of Cummins NPower LLC and is loaned to the receiver in confidence. The receiver, by receiving and retaining this document, accepts the responsibility to maintain and protect this information. If the receiver discloses this information to any third party, it will be held liable for any damages. The receiver shall not use this information for any purpose other than that intended by Cummins NPower LLC. If the receiver discloses this information to any third party, it will be held liable for any damages. The receiver shall not use this information for any purpose other than that intended by Cummins NPower LLC. If the receiver discloses this information to any third party, it will be held liable for any damages. The receiver shall not use this information for any purpose other than that intended by Cummins NPower LLC.</small>		Cummins NPower CUMMINS NPOWER LLC CORPORATE OFFICE 1600 BLUEVALE ROAD WHITE BEAR LAKE, MN WWW.CUMMINSPOWER.COM	CUSTOM DESIGN AND UPLIFT CENTER 875 LAWRENCE DRIVE DEPERE, WISCONSIN
SHEMATICS, OVERALL, CFP5E FPDP GEN II			
UNLESS OTHERWISE SPECIFIED ALL DIMENSION TOLERANCES ARE: ANGULAR DIMENSIONS ± 1° THIRD ANGLE PROJECTION	DWG UNITS: INCH/LB/S SCALE:	DRAWN BY: KAK AUTO CAD	DATE: 22 NOV 2016 INIT ECO: 2016-694
A 2019-037 REV ECO	DESCRIPTION OF REVISION ADDED TB LEGEND, CORRECT SENSOR DISCONNECT CIRCURY CORRECTED USE SWITCH TO B+	BY: JF DATE: 24JAN2019	SHEET 1 OF 6 DRAWING NO: A042J121



This document contains confidential and trade secret information. It is the property of Cummins NPower LLC and is loaned to the recipient in confidence. The recipient, by receiving and retaining this document, accepts the responsibility to maintain the confidentiality of the information contained herein. (1) not to disclose to others without the written consent of Cummins NPower LLC; (2) not to use the information for any purpose other than that for which it was provided; (3) not to disclose to others without the written consent of Cummins NPower LLC. If you are not an authorized recipient, you should not have received this document. If you have received this document in error, please notify the sender immediately. © 2016 Cummins NPower LLC. All rights reserved.

UNLESS OTHERWISE SPECIFIED ALL DIMENSION TOLERANCES ARE:
 ANGULAR DIMENSIONS ± 1°
 THIRD ANGLE PROJECTION
 DIMENSIONS IN INCHES AND DECIMALS THEREOF
 DIMENSIONS IN MILLIMETERS AND DECIMALS THEREOF

Cummins NPower
 CUMMINS NPOWER LLC
 CORPORATE OFFICE
 1600 BLUEVALE ROAD
 WHITE BEAR LAKE, MN
 WWW.CUMMINSNPOWER.COM

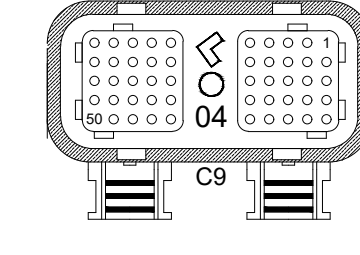
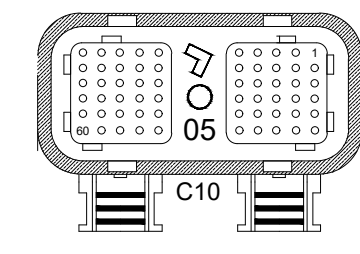
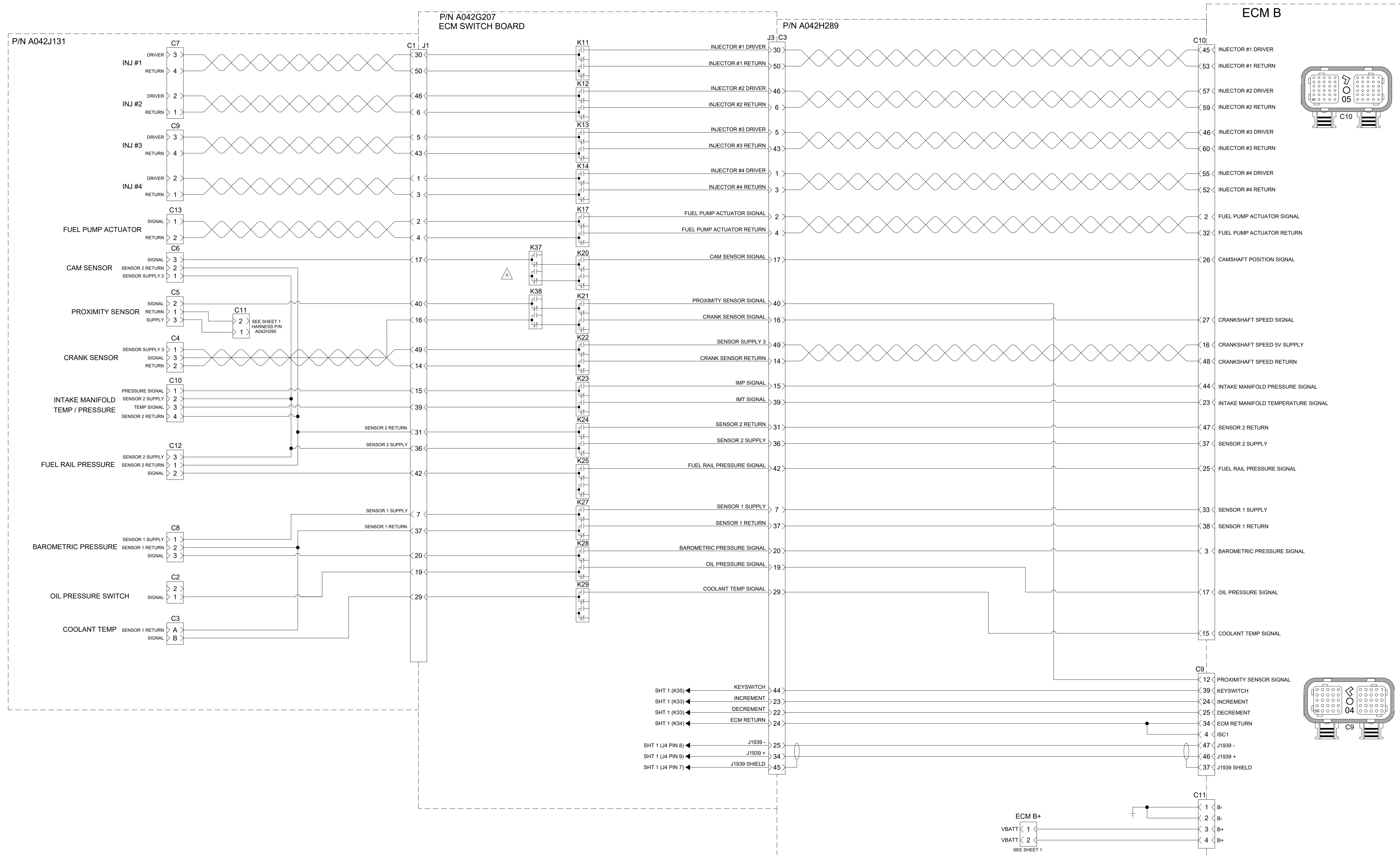
CUSTOM DESIGN AND
 UPTI CENTER
 875 LAWRENCE DRIVE
 DEPERE, WISCONSIN

SCHEMATICS, OVERALL, CFP5E
FPDP GEN II

DWG UNITS: INCH/LB/S
 SCALE: 1:1
 EST WEIGHT: SHEET 2 OF 6

DRAWN BY: KAK
AUTO CAD
 DATE: 22 NOV 2016
 INIT ECO: 2016-694
 DRAWING NO: A042J121

REV	DATE	DESCRIPTION OF REVISION	BY
A	2019-037	SEE SHEET 1 FOR DETAILS	JF
REV	ECO	DESCRIPTION OF REVISION	DATE



This document contains confidential and trade secret information. It is the property of Cummins NPower LLC and is loaned to the receiver in confidence. The receiver, by receiving and retaining or the document accepts the document in confidence and agrees not to disclose the document to others without the prior written consent of Cummins NPower LLC. If you are not an authorized recipient, you should not disseminate, distribute, or copy this document. If you are an authorized recipient, you should not disseminate, distribute, or copy this document. If you are an authorized recipient, you should not disseminate, distribute, or copy this document. If you are an authorized recipient, you should not disseminate, distribute, or copy this document.

Cummins NPower

CUMMINS NPOWER LLC
CORPORATE OFFICE
1600 BLUEVALE ROAD
WHITE BEAR LAKE, MN
WWW.CUMMINSNPOWER.COM

CUSTOM DESIGN AND
UPFIT CENTER
875 LAWRENCE DRIVE
DEPERE, WISCONSIN

SCHMATICS, OVERALL, CFP5E
FPDP GEN II

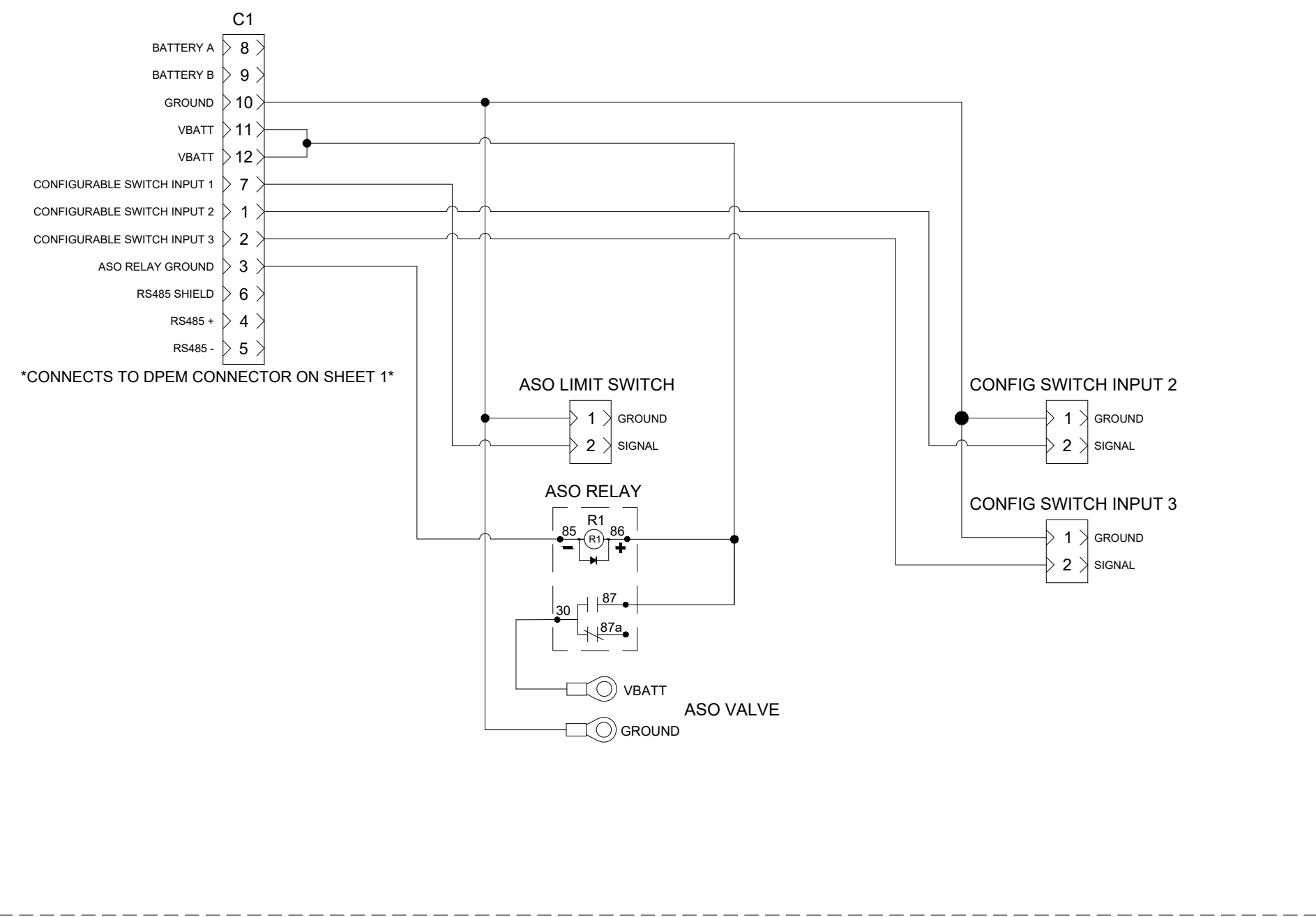
DWG UNITS: INCH/LB/S
SCALE: SHEET 3 OF 6
DRAWING NO: A042J121

DATE: 22 NOV 2016
INIT ECO: 2016-694

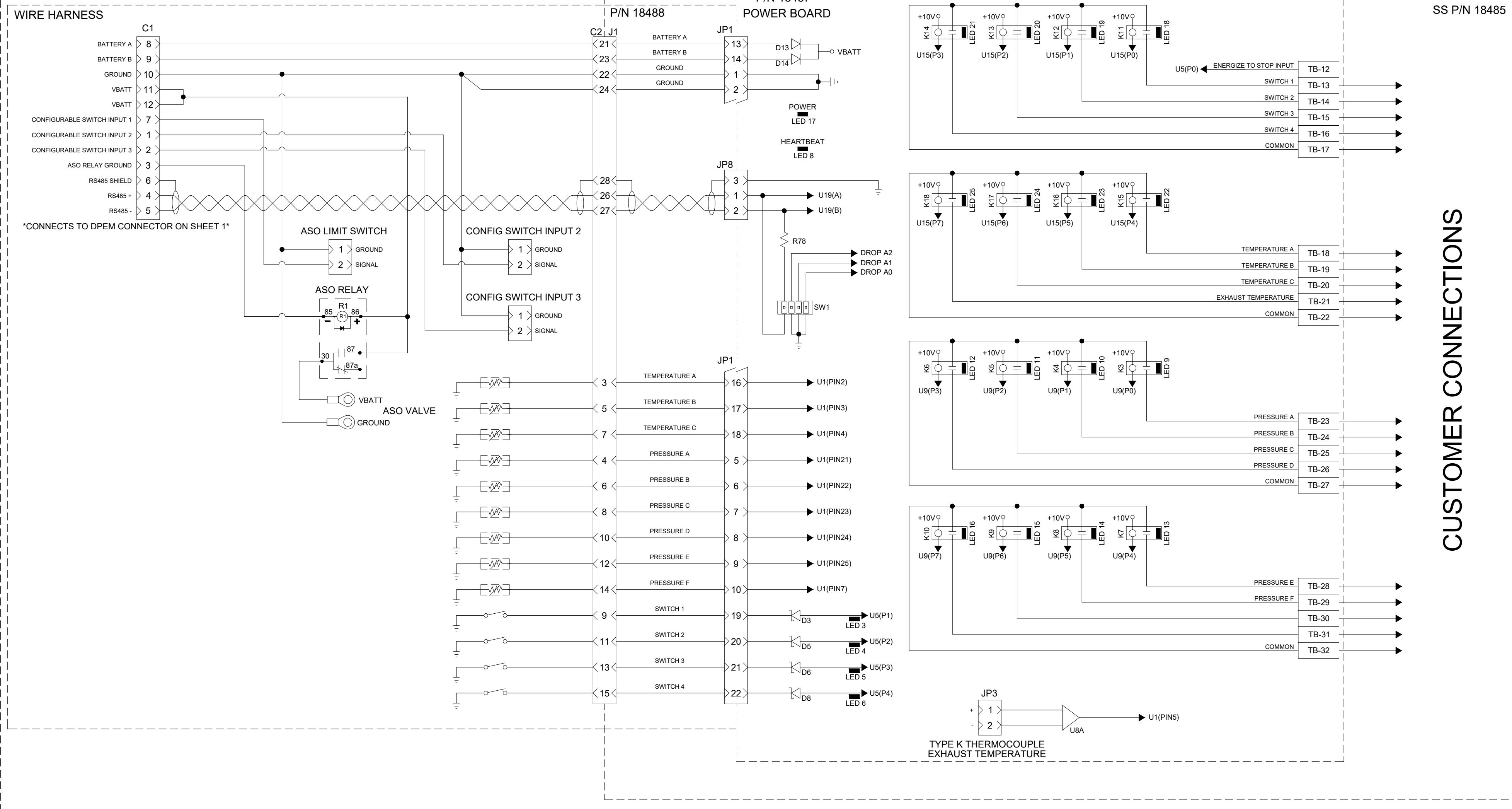
A	2019-037	SEE SHEET 1 FOR DETAILS	JF	24JAN2019
REV	ECO	DESCRIPTION OF REVISION	BY	DATE

IF AIR SHUT-OFF (ASO) IS SELECTED, THE UL/FM LISTING IS REMOVED AS THIS OPTION IS NOT ALLOWED PER THE STANDARDS.

ASO OPTION WITH UP TO 2 SWITCHED INPUTS



DPEM OPTION WITH ASO



CUSTOMER CONNECTIONS

This document contains confidential and trade secret information. It is the property of Cummins NPower LLC and is loaned to the recipient in confidence. The recipient, by receiving and retaining this document, accepts the responsibility to maintain the confidentiality of the information contained herein. (1) not to disclose to others without the prior written consent of Cummins NPower LLC; (2) not to copy, reproduce, or otherwise use the information contained herein for any purpose other than that for which it was provided; (3) not to disclose to others without the prior written consent of Cummins NPower LLC any information that may be learned from this document, or any derivative thereof, that would be injurious to the competitive position of Cummins NPower LLC. ©2016 Cummins NPower LLC.

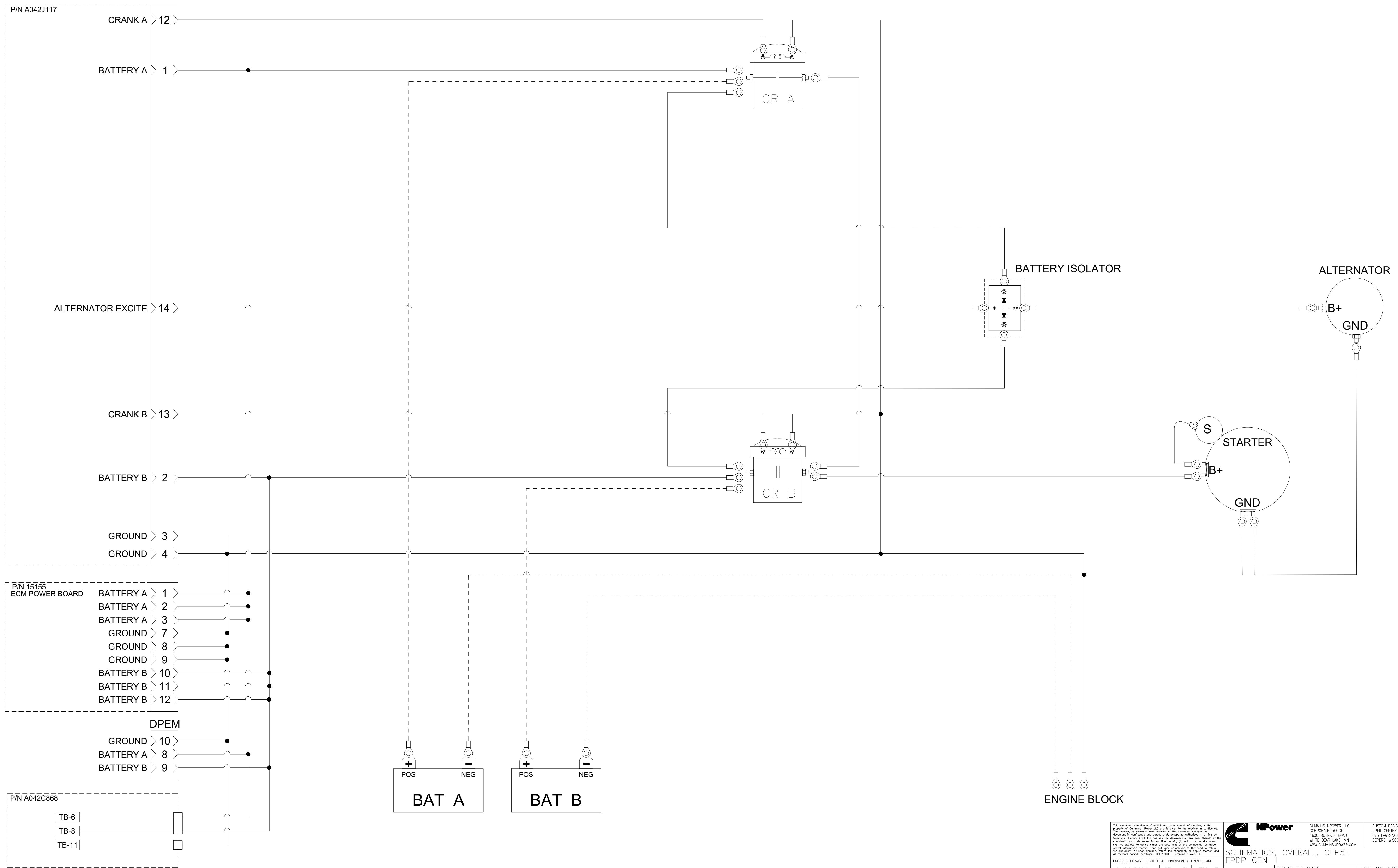
NPower
 CUMMINS NPOWER LLC
 CORPORATE OFFICE
 1600 BURNLEY ROAD
 WHITE BEAR LAKE, MN
 WWW.CUMMINSPOWER.COM

CUSTOM DESIGN AND
 UPTI CENTER
 875 LAWRENCE DRIVE
 DEPERE, WISCONSIN

SCHEMATICS, OVERALL, CFP5E
 FPDF GEN II

ANGULAR DIMENSIONS ± 1°	IMPERIAL UNITS	METRIC UNITS	DWG UNITS:	DRAWN BY: KAK	DATE: 22 NOV 2016
THIRD ANGLE PROJECTION	INCH/LB/S	MM/KG	SCALE:	AUTO CAD	INIT ECO: 2016-694
			EST WEIGHT:	SHEET 5 OF 6	DRAWING NO: A042J121

A	2019-037	SEE SHEET 1 FOR DETAILS	JF	24/JAN/2019
REV	ECO	DESCRIPTION OF REVISION	BY	DATE



This document contains confidential and trade secret information. It is the property of Cummins NPower LLC and is loaned to the receiver in confidence. The receiver, by receiving and retaining this document, accepts the responsibility to maintain the confidentiality of the information contained herein. (1) not to disclose to others without the written consent of Cummins NPower LLC; (2) not to use the information contained herein for any purpose other than that for which it was provided; (3) not to disseminate to others without the written consent of Cummins NPower LLC. If you are not an authorized recipient, you should not disseminate this information. If you are an authorized recipient, you should not disseminate this information without the written consent of Cummins NPower LLC.

Cummins NPower
 CUMMINS NPOWER LLC
 CORPORATE OFFICE
 1600 BLUEVALE ROAD
 WHITE BEAR LAKE, MN
 WWW.CUMMINSNPOWER.COM

CUSTOM DESIGN AND
 UPTIT CENTER
 875 LAWRENCE DRIVE
 DEPERE, WISCONSIN

SCHMATICS, OVERALL, CFP5E
FPDP GEN II

DRAWN BY: KAK
 DATE: 22 NOV 2016

INIT ECO: 2016-694

SCALE: SHEET 6 OF 6
 DRAWING NO: A042J121

REV	DATE	DESCRIPTION OF REVISION	BY	DATE
A	2019-037	SEE SHEET 1 FOR DETAILS	JF	24JAN2019
ECO				