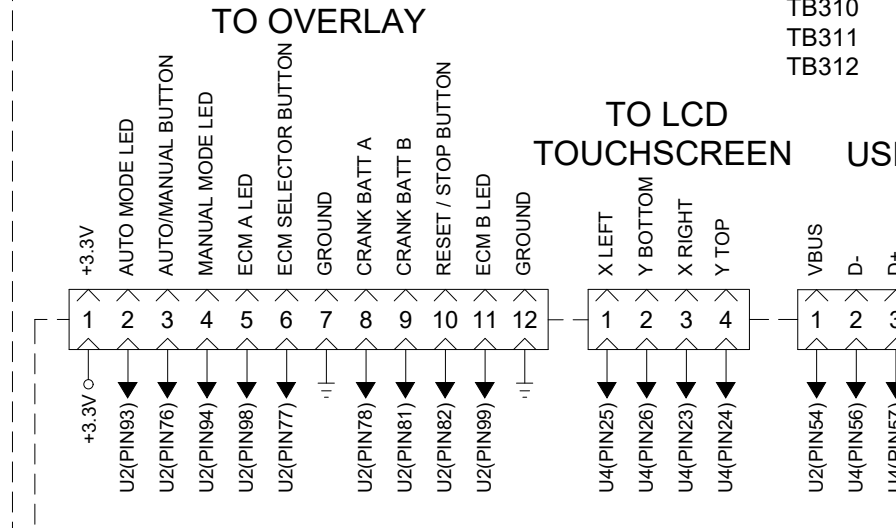


FPDP GEN II
 CS P/N A042G184
 SS P/N A042G186

TERMINAL BLOCK LEGEND

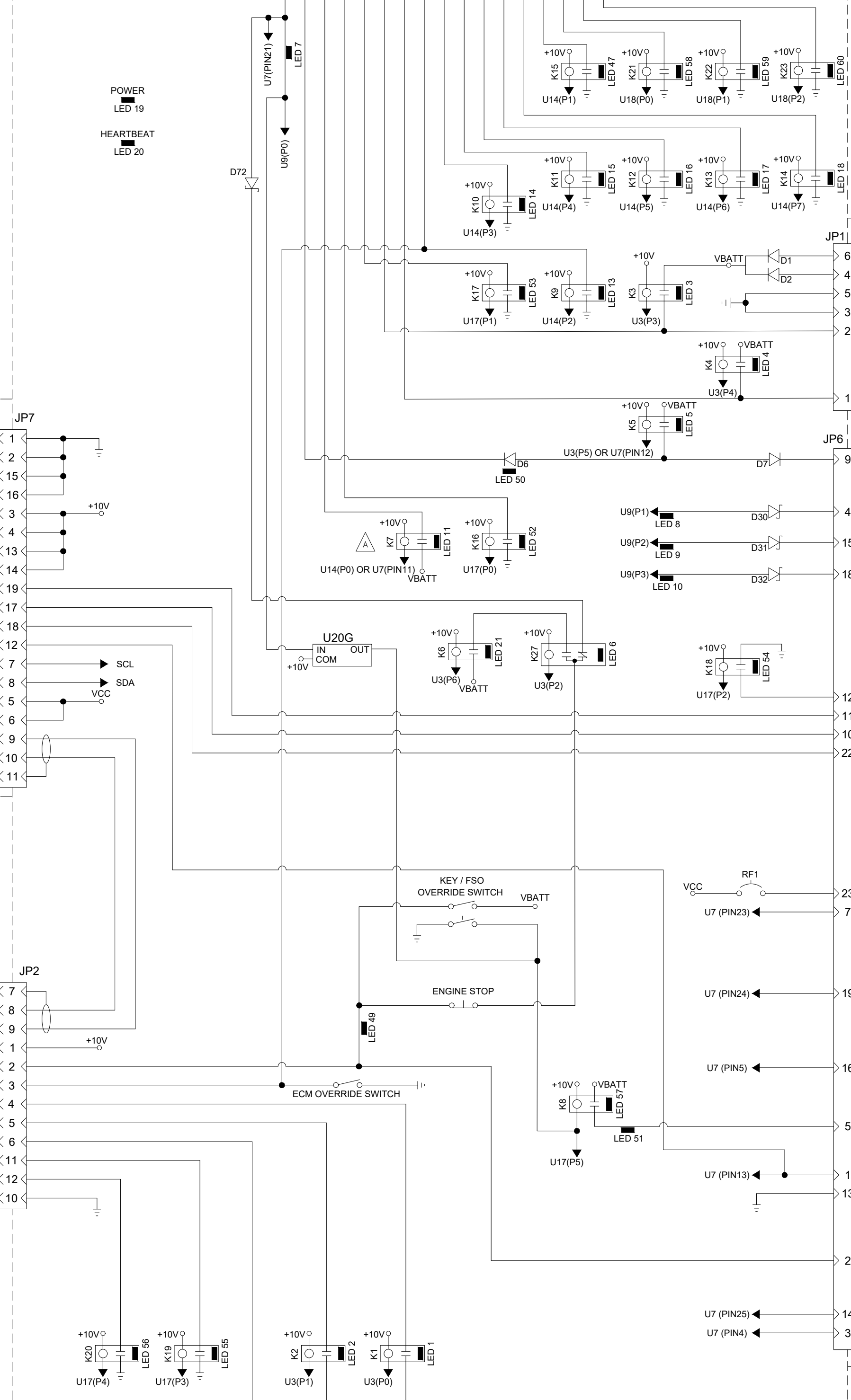
TB1	AUTO/MANUAL SWITCH
TB2	CRANK TERMINATION SWITCH
TB3	OVERSPEED SWITCH
TB4	LOW LUBRICANT PRESSURE SWITCH
TB5	HIGH ENGINE TEMPERATURE SWITCH
TB6	BATTERY 1 POSITIVE
TB8	BATTERY 2 POSITIVE
TB9	MAIN BATTERY CONTACT 1 COIL
TB10	MAIN BATTERY CONTACT 2 COIL
TB11	COMMON BATTERY 1 AND 2 NEGATIVE
TB301	ELECTRONIC CONTROL MODULE SWITCH
TB302	FUEL INJECTION MALFUNCTION
TB303	ELECTRONIC CONTROL MODULE WARNING
TB304	ELECTRONIC CONTROL MODULE FAILURE
TB310	RAW WATER HIGH INLET TEMPERATURE
TB311	CLOGGED RAW WATER COOLANT LOOP STRAINER
TB312	LOW ENGINE TEMPERATURE SWITCH



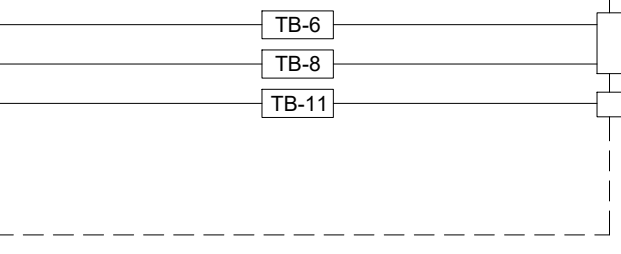
P/N A042G195
DISPLAY BOARD



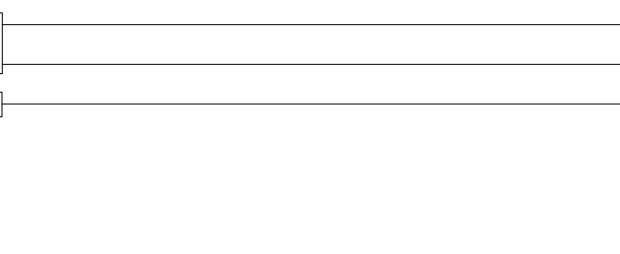
P/N A042G196
POWER BOARD



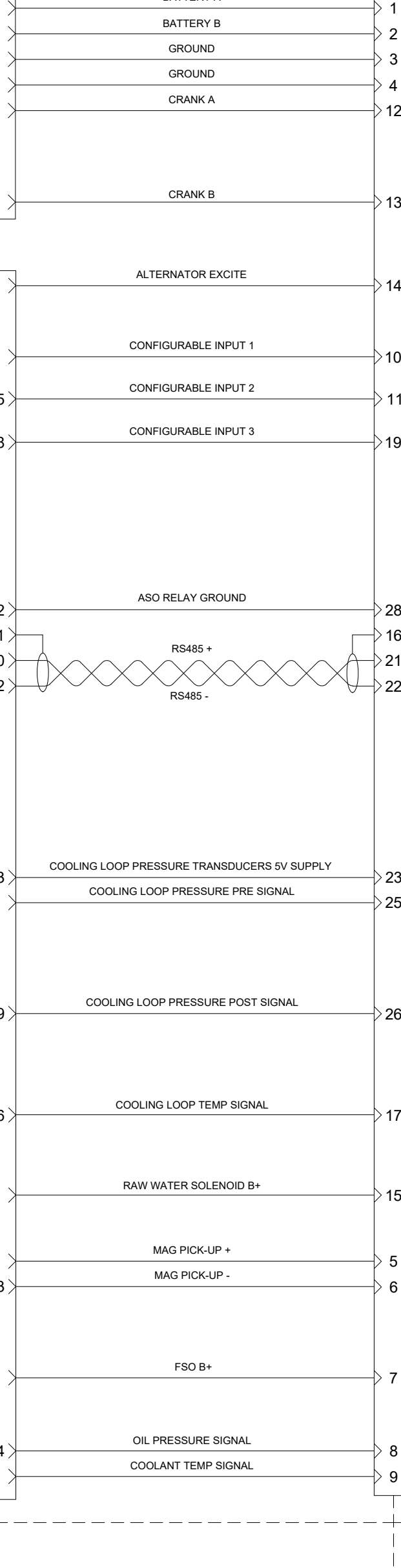
P/N A042C868



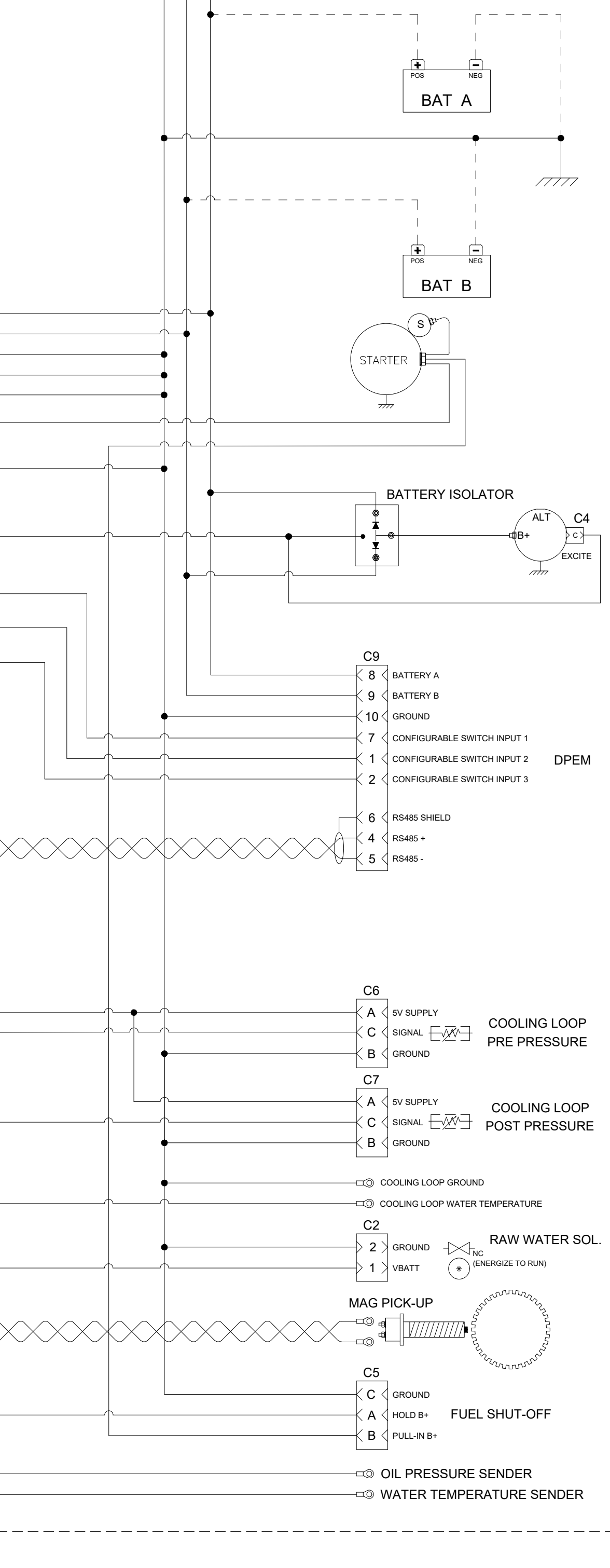
P/N A042H306



P/N A042G197



NOTE SEE SHEET 6 FOR BETTER VIEW OF POWER CIRCUITS



This document contains confidential and trade secret information. It is the property of Cummins NPower LLC and is loaned to the receiver in confidence. The receiver, by receiving and retaining this document, accepts the responsibility to maintain the confidentiality of the information contained herein. Cummins NPower, its logo, and any other marks contained herein are trademarks of Cummins NPower LLC. All other marks contained herein are the property of their respective owners. © 2016 Cummins NPower LLC. All rights reserved.

UNLESS OTHERWISE SPECIFIED ALL DIMENSION TOLERANCES ARE:

ANGULAR DIMENSIONS ± 1°	IMPERIAL UNITS	METRIC UNITS
0.0005	0.0005	0.0127
0.0010	0.0010	0.0254
0.0020	0.0020	0.0508
0.0050	0.0050	0.1270
0.0100	0.0100	0.2540
0.0150	0.0150	0.3810
0.0300	0.0300	0.7620
0.0600	0.0600	1.5240
0.1200	0.1200	3.0480
0.2500	0.2500	6.3500
0.5000	0.5000	12.7000
1.0000	1.0000	25.4000
2.0000	2.0000	50.8000
5.0000	5.0000	127.0000
10.0000	10.0000	254.0000
25.0000	25.0000	635.0000
50.0000	50.0000	1270.0000
100.0000	100.0000	2540.0000
250.0000	250.0000	6350.0000
500.0000	500.0000	12700.0000
1000.0000	1000.0000	25400.0000

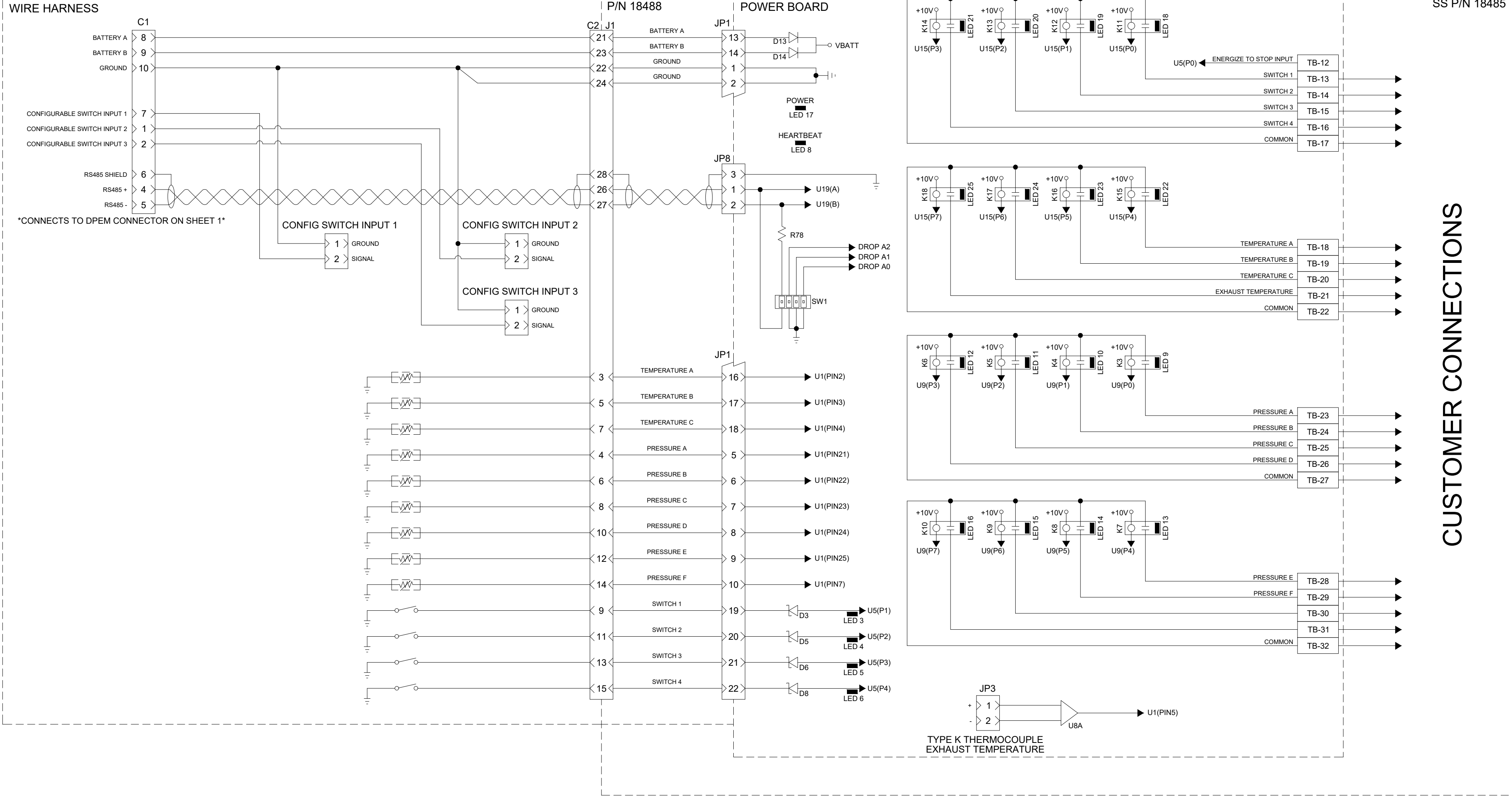
SCHEMATICS, OVERALL, CFP5.9
FPDP GEN II

DWG UNITS: INCH/LB/S
 SCALE: 1:1
 EST WEIGHT: 0.0000

DATE: 22 NOV 2016
 INIT ECO: 2016-694

SHEET 1 OF 3
 DRAWING NO: A042J119

DPEM OPTION



CUSTOMER CONNECTIONS

This document contains confidential and trade secret information. It is the property of Cummins NPower LLC and is loaned to the recipient in confidence. The recipient, by receiving and retaining this document, accepts the responsibility to maintain and protect this information as confidential. It is not to be disclosed, copied, or otherwise made available to any third party without the prior written consent of Cummins NPower LLC. If you are not an authorized recipient, you should not disseminate this information. If you are an authorized recipient, you should not disseminate this information to any third party without the prior written consent of Cummins NPower LLC. If you are not an authorized recipient, you should not disseminate this information to any third party without the prior written consent of Cummins NPower LLC.

Cummins NPower
 CUMMINS NPOWER LLC
 CORPORATE OFFICE
 1600 BLUEVALE ROAD
 WHITE BEAR LAKE, MN
 WWW.CUMMINSNPOWER.COM

CUSTOM DESIGN AND
 UPTIT CENTER
 875 LAWRENCE DRIVE
 DEPERE, WISCONSIN

SCHMATICS, OVERALL, CFP5.9
FPDP GEN II

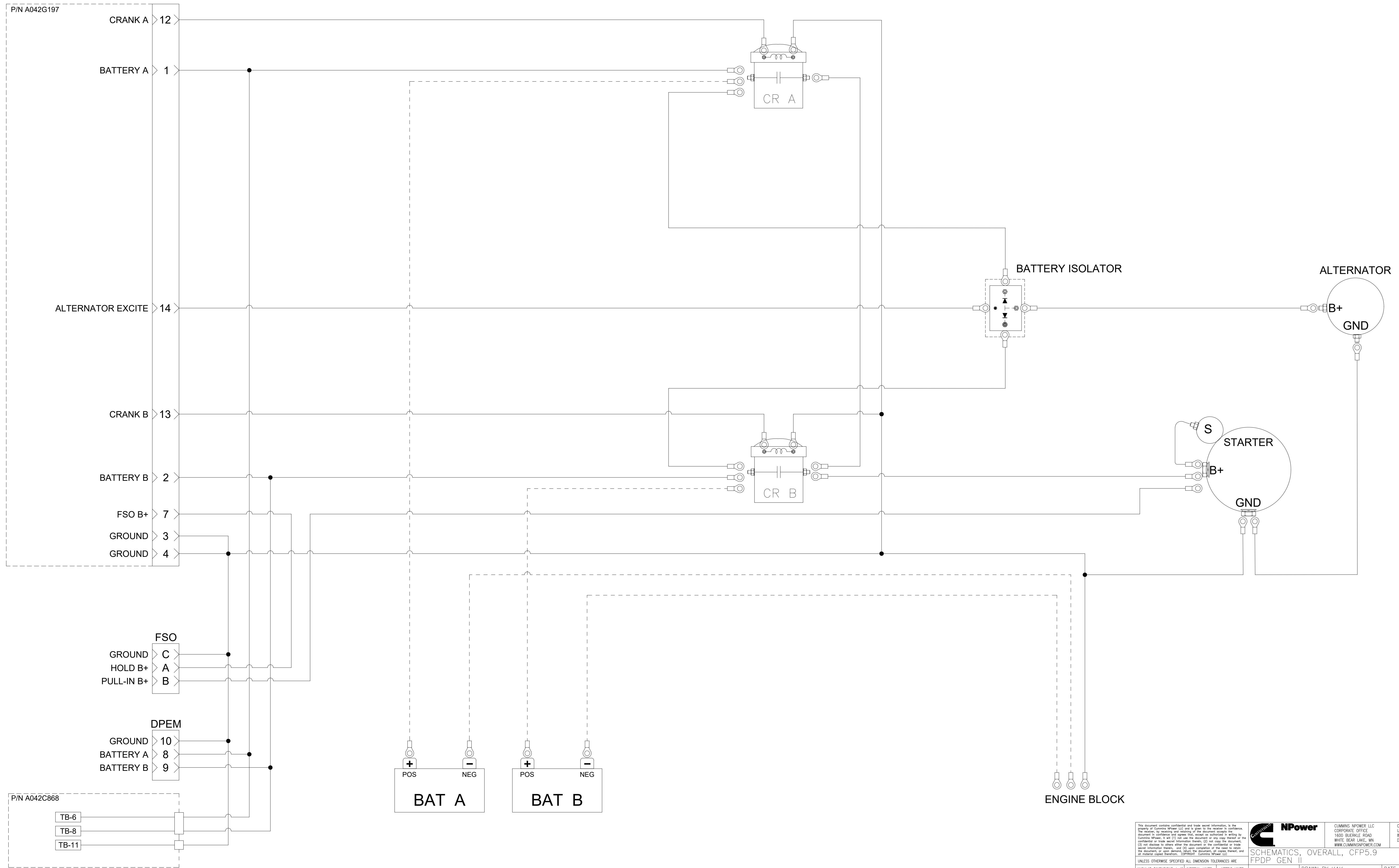
DRAWN BY: KAK DATE: 22 NOV 2016
 INIT ECO: 2016-694

UNLESS OTHERWISE SPECIFIED ALL DIMENSION TOLERANCES ARE:
 ANGULAR DIMENSIONS ± 1°
 THIRD ANGLE PROJECTION

IMPERIAL UNITS	METRIC UNITS
± 0.005	± 0.127
± 0.010	± 0.254
± 0.015	± 0.381
± 0.030	± 0.762

DWG UNITS: INCH/LB/S	AUTO CAD	SCALE:
EST WEIGHT:	SHEET 2 OF 3	DRAWING NO: A042J119

A	2019-037	SEE SHEET 1 FOR DETAILS	JF	24/JAN/2019
REV	ECO	DESCRIPTION OF REVISION	BY	DATE



This document contains confidential and trade secret information. It is the property of Cummins NPower LLC and is loaned to the receiver in confidence. The receiver, by receiving and retaining this document, accepts the responsibility for its use and agrees not to disclose, copy, or otherwise use the information contained herein without the prior written consent of Cummins NPower LLC. If you are not the intended recipient, you should not disseminate, distribute, or take any action in reliance on the information contained herein. If you have received this document in error, please notify the sender immediately. ©2016 Cummins NPower LLC.

UNLESS OTHERWISE SPECIFIED ALL DIMENSION TOLERANCES ARE:

ANGULAR DIMENSIONS ± 1°	IMPERIAL UNITS	METRIC UNITS
THIRD ANGLE PROJECTION	0.005	0.125
	0.010	0.250
	0.015	0.375
	0.020	0.500

SCHEMATICS, OVERALL, CFP5.9
FPDP GEN II
 DWG UNITS: INCH/LB/S
 SCALE: AS SHOWN
 EST WEIGHT:

Cummins NPower CUMMINS NPOWER LLC CORPORATE OFFICE 1600 BLUEVALE ROAD WHITE BEAR LAKE, MN WWW.CUMMINSNPOWER.COM	CUSTOM DESIGN AND UPTIT CENTER 875 LAWRENCE DRIVE DEPERE, WISCONSIN
---	--

DRAWN BY: KAK
 DATE: 22 NOV 2016
 INIT ECO: 2016-694
 SHEET 3 OF 3
 DRAWING NO: A042J119

REV	DATE	DESCRIPTION OF REVISION	BY	DATE
A	2019-037	SEE SHEET 1 FOR DETAILS	JF	24JAN2019
REV	ECO	DESCRIPTION OF REVISION		