

X3.3-G2



> Specification sheet



Our energy working for you.™

Description

The X3.3 has all the strength and reliability the genset industry has come to expect from the X Series range but in a smaller, lighter and more economical package. The X3.3 features direct fuel injection, resulting in cleaner, quieter and more fuel efficient performance. With a highly compact 4 cylinder envelope and extremely low heat rejection, the engine offers a high degree of installation flexibility.



This engine has been built to comply with CE certification.



This engine has been designed in facilities certified to ISO9001 and manufactured in facilities certified to ISO9001 or ISO9002.

Features

Bosch direct injection in-line pump for cleaner, more efficient fuel consumption.

Parent bore block with deep, stiff crankcase and optimized rib arrangement to enhance strength and reduce noise.

12 volt electrical package as standard, with starter, alternator and fuel solenoid.

Minimal de-rate for high altitude or high ambient applications.

Shallow oil pan and single spin-on oil and fuel filter.

SAE '3/11.5' flywheel/flywheel housing.

Integrated Design - CoolPac products are supplied fitted with cooling package and heavy duty air cleaner for a complete power package. Each component has been specifically developed and rigorously tested for G-Drive products, ensuring high performance, durability and reliability.

Service and Support - G-Drive products are backed by an uncompromising level of technical support and after sales service, delivered through a world class service network.

1800 rpm (60 Hz Ratings)

Gross Engine Output			Net Engine Output			Typical Generator Set Output					
Standby	Prime	Base	Standby	Prime	Base	Standby (ESP)		Prime (PRP)		Base (COP)	
kWm/BHP			kWm/BHP			kWe	kVA	kWe	kVA	kWe	kVA
42/56	36/48	29.4/39.4	39/52	33/44	N/A	35	44	32	40	N/A	N/A

Our energy working for you.™

www.cumminsgdrive.com

©2012 | Cummins G-Drive Engines | Specifications Subject to Change Without Notice | Cummins is a registered trademark of Cummins Inc. (10/12) (GDSS169)



General Engine Data

Type	4- cycle, In-line, 4- cylinder, Naturally Aspirated, Diesel,
Bore mm	91.4 mm (3.59 in.)
Stroke mm	127 mm (5 in.)
Displacement Litre	3.3 litre (204 in. ³)
Cylinder Block	Cast iron, 4 cylinder
Battery Charging Alternator	36 amps
Starting Voltage	12 volt, negative ground
Fuel System	Direct injection
Fuel Filter	Spin on fuel filters with water drain facility
Lube Oil Filter Type(s)	Spin on full flow filter
Lube Oil Capacity (l)	6.5
Flywheel Dimensions	3/11.5

Coolpac Performance Data

Cooling System Design	Jacket water cooled
Coolant Ratio	50% ethylene glycol; 50% water
Coolant Capacity (l)	8.6
Limiting Ambient Temp.**	50degC
Fan Power kw	1
Cooling System Air Flow (m ³ /s)**	1.7
Air Cleaner Type	Heavy Duty Dry replaceable element with restriction indicator

** @ 13 mm H₂O Prime power

Ratings Definitions

Emergency Standby Power (ESP):

Applicable for supplying power to varying electrical load for the duration of power interruption of a reliable utility source. Emergency Standby Power (ESP) is in accordance with ISO 8528. Fuel Stop power in accordance with ISO 3046, AS 2789, DIN 6271 and BS 5514.

Limited-Time Running Power (LTP):

Applicable for supplying power to a constant electrical load for limited hours. Limited-Time Running Power (LTP) is in accordance with ISO 8528.

Prime Power (PRP):

Applicable for supplying power to varying electrical load for unlimited hours. Prime Power (PRP) is in accordance with ISO 8528. Ten percent overload capability is available in accordance with ISO 3046, AS 2789, DIN 6271 and BS 5514.

Base Load (Continuous) Power (COP):

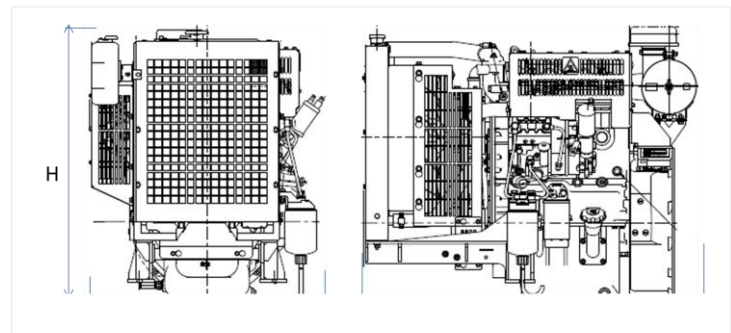
Applicable for supplying power continuously to a constant electrical load for unlimited hours. Continuous Power (COP) in accordance with ISO 8528, ISO 3046, AS 2789, DIN6271 and BS 5514.

Shipping Weight & Dimensions

	Length	Width	Height	Weight (dry)
	mm	mm	mm	kg
CoolPac	1124	687	796	317
Shipping	1190	780	1050	465

Fuel Consumption 1800 (60 Hz)

%	kWm	BHP	L/ph	US gal/ph
Standby Power				
100	42	56	12.2	3.2
Prime Power				
100	36	48	9.7	2.5
75	26	35	6.9	1.8
50	18	24	5.1	1.3
25	9	12	3.3	0.9
Continuous Power				
100	29.4	39.4	7.7	2.0



Cummins G-Drive Engines

Asia Pacific

10 Toh Guan Road
#07-01
TT International Tradepark
Singapore 608838
Phone 65 6417 2388
Fax 65 6417 2399

Europe, CIS, Middle East and Africa

Manston Park Columbus Ave
Manston Ramsgate
Kent CT12 5BF, UK
Phone 44 1843 255000
Fax 44 1843 255902

Latin America

Rua Jati, 310, Cumbica
Guarulhos, SP 07180-900
Brazil
Phone 55 11 2186 4552
Fax 55 11 2186 4729

Mexico

Cummins S. de R.L. de C.V.
Eje 122 No. 200 Zona Industrial
San Luis Potosí, S.L.P. 78090
Mexico
Phone 52 444 870 6700
Fax 52 444 870 6811

North America

1400 73rd Avenue N.E.
Minneapolis, MN 55432
USA
Phone 1 763 574 5000
USA Toll-free 1 877 769 7669
Fax 1 763 574 5298

Our energy working for you.™

www.cumminsgdrive.com

©2012 | Cummins G-Drive Engines | Specifications Subject to Change Without Notice | Cummins is a registered trademark of Cummins Inc. (10/12) (GDSS169)

