



Operator Manual

Onan P4500iDF Inverter

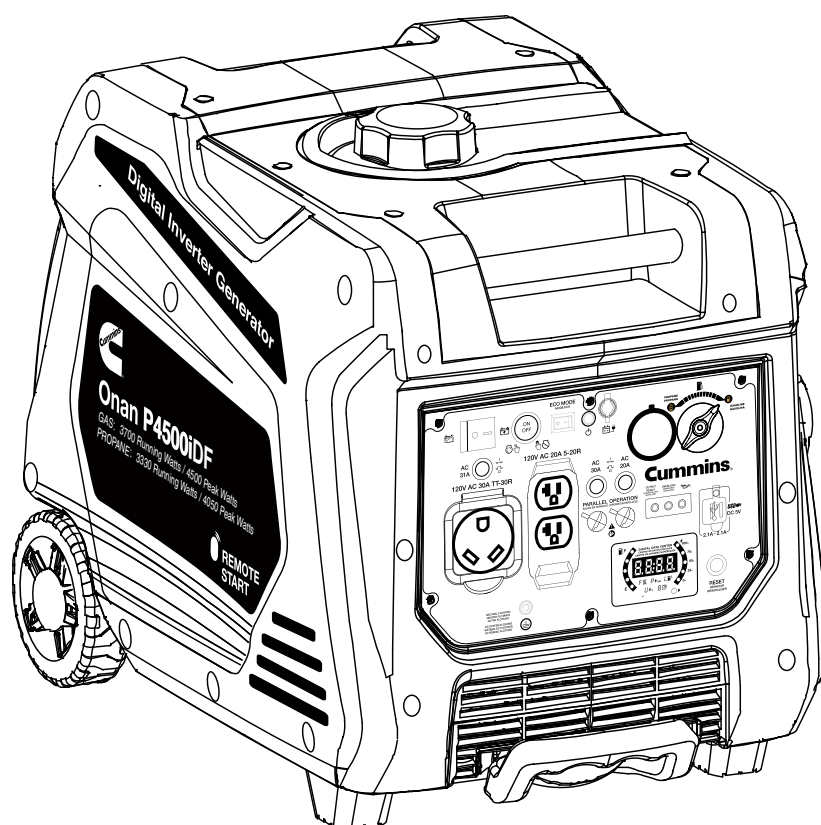


TABLE OF CONTENTS

INTRODUCTION

DISCLAIMERS2
ALL RIGHTS RESERVED.....2
SPECIFICATIONS.....3

SAFETY

SAFETY DEFINITIONS.....4
SAFETY SYMBOLS.....4
SAFETY INSTRUCTIONS5
SAFETY LABELS AND DECALS.....7

COMPONENTS

CONTROL PANEL COMPONENTS.....8
GENERATOR COMPONENTS9
DIGITAL DATA CENTER9

ASSEMBLY

CARTON CONTENTS10
INITIAL OIL FILL10
FUEL.....10
CONNECT THE BATTERY11

OPERATION

GENERATOR LOCATION.....13
GROUNDING.....13
HIGH ALTITUDE OPERATION13
REMOTE START14
FUEL VALVE SWITCH14
BREAK-IN PERIOD14
FREQUENCY OF USE14
BEFORE STARTING THE GENERATOR.....14
STARTING THE ENGINE14
STOPPING THE ENGINE.....15
ECO MODE.....15
AC CIRCUIT BREAKERS.....15

OVERLOAD RESET15
POWER MANAGEMENT.....16
EXTENSION CORDS16
PARALLEL OPERATION.....17
TRANSPORTING.....18

MAINTENANCE

MAINTENANCE SCHEDULE19
MAINTENANCE REPLACEMENT PARTS19
ENGINE SERVICE COVER.....19
AIR FILTER MAINTENANCE19
ENGINE OIL LEVEL CHECK20
ENGINE OIL CHANGE21
SPARK PLUG MAINTENANCE21
SPARK ARRESTOR SERVICE.....22
BATTERY MAINTENANCE22
BATTERY REPLACEMENT22
STORAGE.....23
VALVE CLEARANCE24
MANUAL CHOKE OPERATION.....24

TROUBLESHOOTING

TROUBLESHOOTING25

EXPLODED VIEWS AND PARTS LISTS

ENGINE EXPLODED VIEW.....26
ENGINE PARTS LIST27
GENERATOR EXPLODED VIEW.....29
GENERATOR PARTS LIST.....30
GENERATOR PARTS LIST (CONTINUED).....31

SCHEMATICS

SCHEMATICS.....32

ESPAÑOL.....33

FRANÇAIS.....59

INTRODUCTION


⚠ WARNING: Operating, servicing, and maintaining this equipment can expose you to chemicals including engine exhaust, carbon monoxide, phthalates, and lead, which are known to the State of California to cause cancer and birth defects or other reproductive harm. To minimize exposure, avoid breathing exhaust, and wear gloves or wash your hands frequently when servicing this equipment. For more information go to www.P65warnings.ca.gov.

DISCLAIMERS

All information, illustrations, and specifications in this manual were in effect at the time of publishing. The illustrations used in this manual are intended as representative reference views only. We reserve the right to make any specification or design change without notice.

ALL RIGHTS RESERVED

All rights reserved. No reproduction allowed in any form without without the written permission of Cummins Inc.

⚠ DANGER	
	Read this manual before using or performing maintenance on this product. Failure to follow the instructions and safety precautions in this manual can result in serious injury or death.

SAVE THESE INSTRUCTIONS

SPECIFICATIONS

SPECIFICATIONS	
Model:	Onan P4500iDF
Running Watts:	3700 Gas / 3330 LPG
Peak Watts:	4500 Gas / 4050 LPG
Rated Voltage:	120V
Rated frequency:	60 Hz
Phase:	Single phase
Total Harmonic Distortion:	≤ 3%
Engine Displacement:	224 cc
Starting Type:	Recoil, Electric Start, Remote
Fuel Capacity:	3.4 Gal (12.8 L)
Fuel Type:	87–93 octane*
Oil Capacity:	0.63 US qt (0.60 L)
Oil Type:	10W30
Spark Plug:	TORCH F7RTC
Spark Plug Gap:	0.024 – 0.032 in. (0.60 – 0.80 mm)
Valve Intake Clearance:	0.0031 – 0.0047 in. (0.08 – 0.12 mm)
Valve Exhaust Clearance:	0.0051 – 0.0067 in. (0.13 – 0.17 mm)
AC Grounding System:	Floating neutral
Voltage Regulator:	Digital
Alternator Type:	Permanent magnet
Maximum Ambient Temperature:	104°F (40°C)
Certifications:	<ul style="list-style-type: none"> • EPA • CARB

*Ethanol content of 10% or less. **DO NOT** use E15 or E85.

NOTICE

This product is designed and rated for continuous operation at ambient temperatures up to 104°F (40°C). If needed, this product can be operated at temperatures ranging from 5°F (-15°C) – 122°F (50°C) for short periods. If the product is exposed to temperatures outside of this range during storage, it should be brought back within this range before operation. This product must **ALWAYS** be operated outdoors in a well-ventilated area and far away from doors, windows, and other vents.

Maximum wattage and current are subject to and limited by such factors as fuel BTU content, ambient temperature, altitude, engine conditions, etc. Maximum power decreases about 3.5% for each 1,000 feet above sea level, and will also decrease about 1% for each 10°F (6°C) above 60°F (16°C) ambient temperature.

PRODUCT REGISTRATION

To ensure trouble-free warranty coverage, it is important you register your Cummins generator.

You can register your product online at:

www.cummins.com/support/product-registration

For Your Records

Date of Purchase: _____

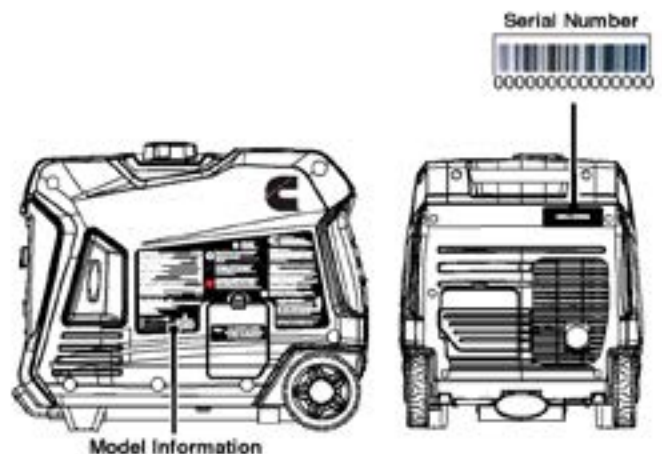
Model Number: _____

Serial Number: _____

Place of Purchase: _____

IMPORTANT: Keep your purchase receipt for trouble-free warranty coverage.

To register your inverter you will need to locate the following information:



SAFETY

SAFETY DEFINITIONS

The words DANGER, WARNING, CAUTION and NOTICE are used throughout this manual to highlight important information. Make sure that the meanings of this safety information is known to all who operate, perform maintenance on, or are near the generator.



This safety alert symbol appears with most safety statements. It means attention, be alert, your safety is involved! Please read and abide by the message that follows the safety alerts symbol.

▲ DANGER

Indicates a hazardous situation which, if not avoided, will result in death or serious injury.

▲ WARNING

Indicates a hazardous situation which, if not avoided, could result in death or serious injury.

▲ CAUTION

Indicates a hazardous situation which, if not avoided, could result in minor or moderate injury.

NOTICE

Indicates a situation which can cause damage to the generator, personal property, and/or the environment, or cause the equipment to operate improperly.

Note: Indicates a procedure, practice or condition that should be followed for the generator to function in the manner intended.

SAFETY SYMBOLS

Follow all safety information contained in this manual and on the generator.

Symbol	Description
	Safety Alert Symbol
	Electrocution Hazard
	Asphyxiation Hazard
	Burn Hazard
	Electrical Shock Hazard
	Fire Hazard
	Maintain Safe Distance
	Lifting Hazard
	Read Manufacturer's Instructions
	DO NOT Operate in Wet Conditions
	Ground. Consult with electrician to determine grounding requirements before operation.

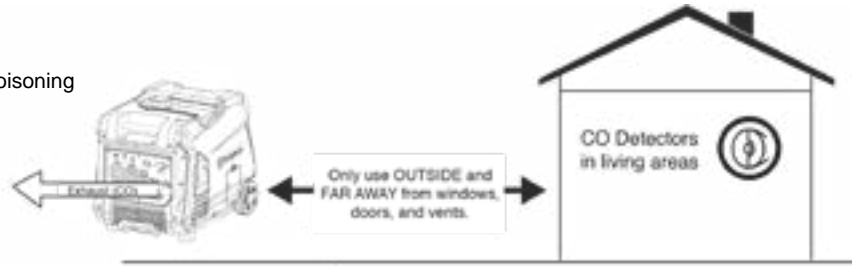
Ground. Consult with electrician to determine grounding requirements before operation.

SAFETY INSTRUCTIONS

CORRECT USE

Example location to reduce risk of carbon monoxide poisoning

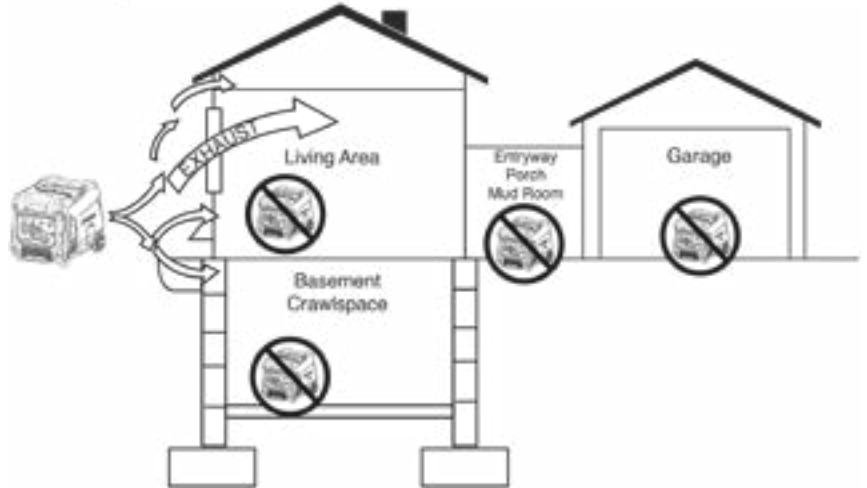
- ONLY use outside and downwind, far away from windows, doors and vents.
- Direct exhaust away from occupied spaces



INCORRECT USE

DO NOT operate in any of the following locations:

- Near any door, window, or vent
- Garage
- Basement
- Crawl Space
- Living Area
- Attic
- Entry Way
- Porch
- Mudroom



NOTICE

Install battery-powered carbon monoxide detectors or plug-in carbon monoxide detectors with battery back-up in living areas.

⚠ DANGER

Using a generator indoors CAN KILL YOU IN MINUTES. Generator exhaust contains carbon monoxide. This is a poison you cannot see or smell.



NEVER use inside a home or garage, EVEN IF doors and windows are open.



Only use OUTSIDE and far away from windows, doors, and vents.

⚠ DANGER

Fire and electrocution hazard. **DO NOT** connect to a building's electrical system unless the generator and transfer switch have been properly installed and the electrical output has been verified by a qualified electrician. The connection must isolate the generator power from utility power and must comply with all applicable laws and electrical codes.

⚠ DANGER

Electrocution hazard. **NEVER** use the generator in a location that is wet or damp. **NEVER** expose the generator to rain, snow, water spray, or standing water while in use. Protect the generator from all hazardous weather conditions. Moisture or ice can cause a short circuit or other malfunction in the electrical circuit.

GENERAL SAFETY PRECAUTIONS

- **NEVER** use the generator to power medical support equipment.
- **DO NOT** operate the generator when you are tired or under the influence of drugs, alcohol, or medication.
- **DO NOT** use generator with electrical cords which are worn, frayed, bare, or otherwise damaged.
- When this generator is used to supply a building wiring system the generator must be installed by a qualified electrician and connected to a transfer switch as a separately derived system in accordance with NFPA 70, National Electrical Code.
- Only use OUTSIDE and far away from windows, doors, and vents as recommended by the US Department of Health and Human Services Centers for Disease Control and Prevention. Your specific home and/or wind conditions may require additional distance.
- If you begin to feel sick, dizzy, or weak while using the generator, move to fresh air IMMEDIATELY. See a doctor, as you can have carbon monoxide poisoning.
- While operating and storing, keep at least 5 feet of clearance on all sides of the generator, including overhead. Heat created by the muffler and exhaust gases could be hot enough to cause serious burns and/or ignite combustible objects.
- All electrical tools and appliances operated from this generator must be properly grounded by use of a third wire or be double-insulated.
- **DO NOT** touch the muffler or engine. They are very HOT and will cause severe burns. **DO NOT** put body parts or any flammable or combustible materials in the direct path of the exhaust.
- Allow the generator to cool a minimum of 30 minutes before storage.
- **ALWAYS** remove any tools or other service equipment used during maintenance away from the generator before operating.
- Avoid skin contact with engine oil or gasoline. Wear protective clothing and equipment. Wash all exposed skin with soap and water.

FUEL SAFETY

- Wear eye protection while refueling.
- Store gasoline in an approved container.
- Store any containers containing gasoline in a well-ventilated area, away from any combustibles or source of ignition.
- **DO NOT** smoke when filling the generator with gasoline.
- **NEVER** overfill the fuel tank. Leave room for fuel to expand. Overfilling the fuel tank can result in a sudden

overflow of gasoline and result in spilled gasoline coming in contact with HOT surfaces. Shut down the engine and allow it to cool for five minutes before adding gasoline or oil to the generator.

- **NEVER** remove the fuel cap when the generator is running. Shut off the engine and allow the unit to cool at least five minutes. Remove the fuel cap slowly to release pressure, keep fuel from escaping around the cap, and to avoid the heat from the muffler igniting fuel vapors. Tighten the fuel cap securely after refueling.
- Spilled fuel can ignite. If fuel is spilled on the generator, wipe up any spills immediately. Dispose of rag properly. Allow area of spilled fuel to dry before operating the generator.
- **NEVER** use gasoline as a cleaning agent.

GASOLINE AND GASOLINE VAPOR

▲ DANGER

Fire and explosion hazard. Gasoline is highly explosive and flammable and will cause severe burns or death.

- Gasoline vapors can cause a fire if ignited.
- Gasoline is a skin irritant and needs to be cleaned up immediately if it comes in contact with the skin.

When starting the generator:

- Make sure that the fuel cap, air filter, spark plug, fuel lines, and exhaust system are properly in place.
- If you spill any gasoline on the tank, allow it to fully evaporate before operating.
- Make sure the generator is on a flat surface before operating.

When transporting or servicing the generator:

- Disconnect the spark plug wire to prevent accidental starting.

When storing the generator:

- Store away from sparks, open flames, pilot lights, heat, and other sources of ignition.
- **DO NOT** store gas near furnaces, water heaters, or any other appliances that produce heat or have automatic ignitions.

LIQUID PETROLEUM GAS (LPG/PROPANE)**▲ WARNING**

Fire and explosion hazard. Never use a gas container, LPG/propane connector hose, LPG/propane tank or any other fuel item that appears to be damaged. If there is a strong smell of propane while operating the generator, fully close the LPG/propane tank valve immediately. Once the propane is off, use soapy water to check for leaks on the hose and connections on the tank valve and the generator. Do not smoke or light a cigarette or check for leaks using any open flame source such as a match or lighter. If a leak is found, contact a qualified technician to inspect and repair the LPG/propane system before using the generator.

▲ CAUTION

Fire and explosion hazard. Only use approved LPG/propane tanks with an Overfilling Prevention Device (OPD) valve. Always keep the tank in a vertical position with the valve on top and placed at ground level on a flat surface. Do not allow tanks to be near any heat source. When transporting and storing, turn the propane tank valve to the fully closed position and disconnect the tank. Make sure to always cover the generator inlet and tank outlet with protective plastic caps.

- LPG/Propane is highly flammable and explosive.
- In case of a LPG/Propane fire, **DO NOT** attempt to extinguish the flame if the fuel valve is in the gas position. Introducing an extinguisher to a generator with an open fuel valve could create an explosion hazard.
- LPG/Propane can settle in low places because it is heavier than air.
- LPG/Propane has a distinctive odor added to help detect potential leaks.
- Always keep a LPG/Propane tank in an upright position.
- When exchanging LPG/propane tanks, be sure the tank valve is the same type.
- LPG/propane will burn the skin. Prevent skin contact at all times.
- Keep the propane tank away from the generator exhaust.
- Large (500–1000 gallon) LPG/propane tanks will require a certified plumber to install the fuel line to the generator and the loose regulator is not used (the regulator that is attached to the fuel tank). The pressure as measured at the regulator mounted to the generator must be 7" to 14" of water column. A certified plumber must ensure that the pressure is correct or install a step down regulator if needed.

When starting the generator:

- Make sure that the fuel cap, air filter, spark plug, fuel lines, and exhaust system are properly in place.
- If you spill any gasoline on the tank, allow it to fully evaporate before operating.
- Make sure the generator and LPG/propane tank are on a flat surface before operating.
- If there is a propane odor do not start the unit because there may be a potential leak. Never place a LPG/propane tank near the engine exhaust.

When transporting or servicing the generator:

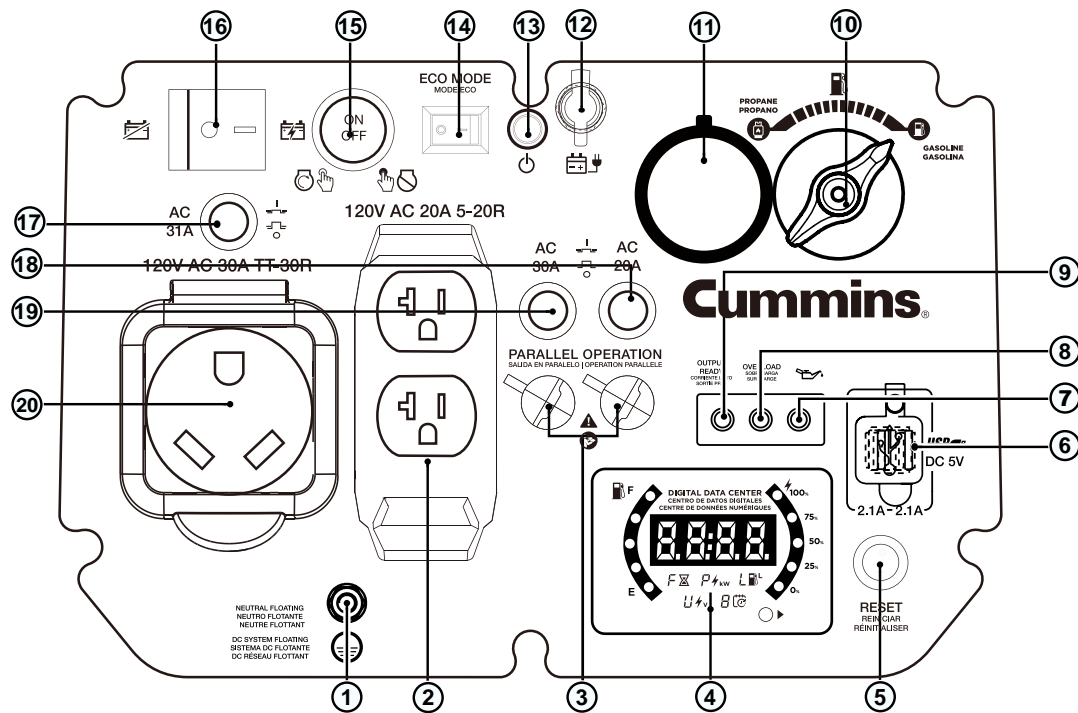
- Make sure the LPG/propane tank and LPG/propane hose are not attached to the generator.
- Disconnect the spark plug wire to prevent accidental starting.

When storing the generator:

- Store away from sparks, open flames, pilot lights, heat, and other sources of ignition.
- Do not store gas or a LPG/propane tank near furnaces, water heaters, or any other appliances that produce heat or have automatic ignitions.

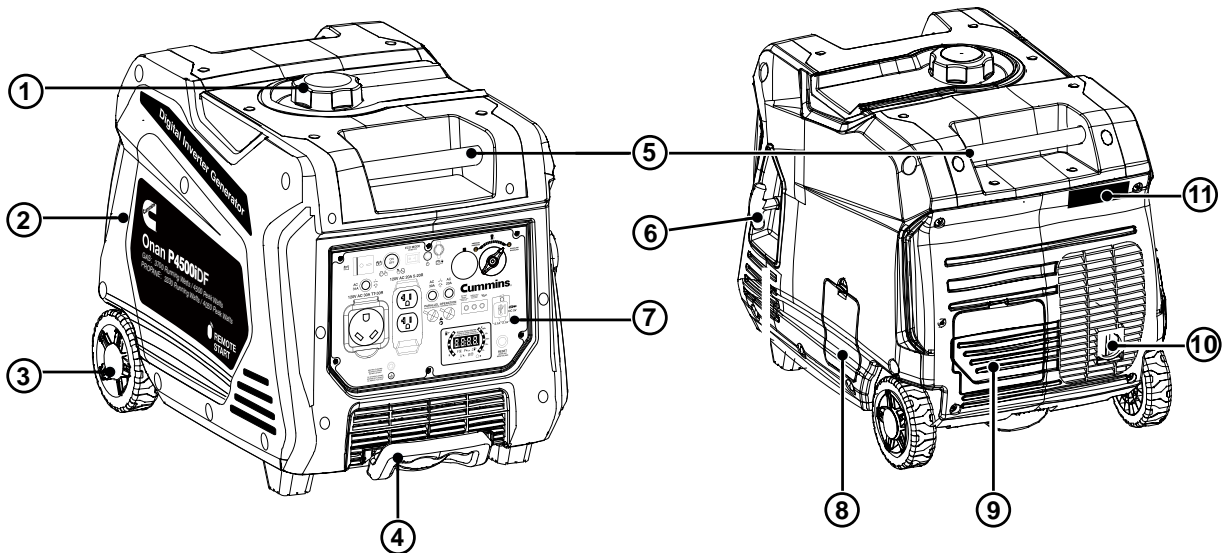
COMPONENTS

CONTROL PANEL COMPONENTS



1. **Ground Terminal:** The ground terminal is used to externally ground the generator.
2. **120 Volt AC, 20 Amp Duplex NEMA 5-20R Receptacle:** Receptacle can supply a maximum of 20 Amps.
3. **Parallel Operation Outlets:** Used with Cummins 50A parallel kit (sold separate). Combine with compatible Cummins inverter (sold separate) to achieve 50A output. Ideal for RV applications.
4. **LED Data Center:** Displays remaining run time (F), power output in kW (P), fuel level in liters (L), voltage output (V), and lifetime hours.
5. **Overload Reset:** The generator inverter will automatically switch OFF all AC output to protect the generator if overloaded or if there is a short circuit in a connected appliance.
6. **USB Ports:** Two-port 5V/2.1A USB outlet. Accepts Type A USB plugs.
7. **Low Oil LED:** Indicates low oil level. When the oil level in the crankcase falls below the safe operating limit, the low oil level indicator will illuminate and the generator will automatically shut off the engine.
8. **Overload LED:** Indicates that the generator is overloaded. See page 17.
9. **Output Ready LED:** Illuminates when the generator is operating normally. Indicates the generator is producing electrical power at the receptacles.
10. **Fuel Selector Switch:** Used to select gas or propane operation.
11. **LPG/Propane Inlet:** Connects a propane tank with the included LPG/propane hose.
12. **Battery Charging Port:** Used to charge the battery with the included battery charger.
13. **Battery Indicator:** Indicates that battery power is ON. Light will remain illuminated while the unit is ON.
14. **Eco Mode:** Eco mode minimizes fuel consumption and noise by adjusting the engine RPM to the minimum required for the current load.
15. **Push-Button Start/Stop:** Push once to automatically start the engine. Push again to stop the engine.
16. **Battery Switch:** Turns battery ON and OFF. Must be ON before electric start or remote start.
17. **Main Circuit Breaker:** The main circuit breaker controls total output of all outlets to protect the generator from overload or short circuit.
18. **20 Amp AC Circuit Breaker:** Circuit breaker limits the current that can be delivered through the NEMA 5-20R receptacle to 20 Amps.
19. **30 Amp AC Circuit Breaker:** Circuit breaker limits the current that can be delivered through the NEMA TT-30 receptacle to 30 Amps.
20. **120 Volt AC, 30 Amp NEMA TT-30R Receptacle:** Receptacle can supply a maximum of 30 Amps.

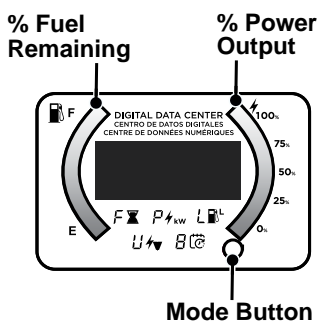
GENERATOR COMPONENTS



1. **Fuel Cap:** Add unleaded fuel here. Close the cap until it clicks.
2. **Engine Service Cover:** Cover provides access to the engine, air cleaner, carburetor, and spark plug.
3. **Transport Wheels:** Wheels allow one-handed maneuverability when used with the extendable handle.
4. **Extendable Handle:** Extend and retract the handle by pushing the locking button.
5. **Carry Handles:** Built-in handles allow easy, two-person transport.
6. **Recoil Handle:** Pull the recoil handle to manually start the engine.
7. **Control Panel:** The control panel contains the outlets and operational controls.
8. **Oil Access Cover:** Cover provides access to the oil fill cap/dipstick and oil drain plug.
9. **Battery Access Cover:** Cover provides access to the battery and quick-connect plug.
10. **Muffler and Spark Arrestor:** The spark arrestor prevents sparks from exiting the muffler.
11. **Serial Number Label:** Model serial number location.

DIGITAL DATA CENTER

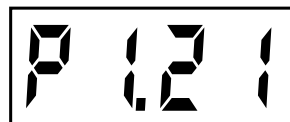
Fuel remaining and power output percentage LEDs are continuously displayed. Push the Mode button to cycle through the data display modes.



DATA DISPLAY



Remaining Run Time:
Displays time remaining with current fuel level and power output.



Power Output:
Displays electrical power output to receptacles in kilowatts.



Fuel level:
Displays current fuel level in liters.



Voltage:



Lifetime Hours:

ASSEMBLY

CARTON CONTENTS

▲ CAUTION

Weight hazard. **ALWAYS** have assistance when lifting the generator.

- Carefully open the carton.
- Remove and save the instruction manual, oil bottle, oil funnel, spark plug socket wrench, and battery charger.
- Remove and discard the packing tray.
- Unfold the top of the plastic bag enclosing the generator.
- Carefully cut the vertical corners of the carton to access the generator.
- Recycle or dispose of the packaging materials properly.

CARTON CONTENTS

- Generator
- User manual
- Quick Start Guide/Maintenance Schedule
- Remote start key fob (attached to recoil starter)
- 0.63 Quart (0.6 Liter) bottle of SAE 10W-30 Oil
- Battery charger
- Spark plug socket wrench
- Oil Funnel
- Screwdriver

INITIAL OIL FILL

NOTICE

THIS GENERATOR HAS BEEN SHIPPED WITHOUT OIL. DO NOT attempt to crank or start engine before it has been properly serviced with recommended oil. Failure to add engine oil before starting will result in serious engine damage.

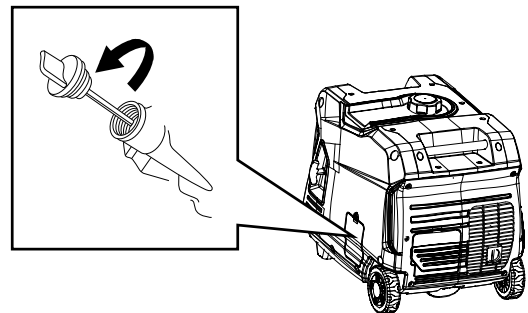
NOTICE

Use of 2-stroke/cycle oil or other unapproved oil types can cause severe engine damage that is not covered under warranty.

The included, recommended oil type for typical use is 10W-30 engine oil. If running the generator in extreme temperatures, refer to the following chart.

Recommended Engine Oil Type									
		10W-30							
	5W-30						10W-40		
	5W-30 Synthetic								
°F	-20	0	20	40	60	80	100	120	
°C	-28.9	-17.8	-6.7	4.4	15.6	26.7	37.8	48.9	
	Ambient temperature								

- On a level surface, remove the oil access cover and oil dipstick.



- Using the supplied funnel and oil, add oil into the engine.

Note: As residual oil from the factory may remain in the engine, add the oil incrementally near the end of the bottle to prevent overfilling the engine. See Engine Oil Level Check in the Maintenance section.

- Replace the oil dipstick and hand-tighten.
- Replace the oil access cover.

FUEL

▲ WARNING

Fire and explosion hazard. **NEVER** use a gasoline container, gasoline tank, or any other fuel item that is broken, cut, torn or damaged.

▲ DANGER

Fire and explosion hazard. **DO NOT** overfill fuel tank. Fill only to the red fill ring located in the in-tank fuel screen filter. Overfilling may cause fuel to spill onto engine causing a fire or explosion hazard.

▲ DANGER

Fire and explosion hazard. **NEVER** refuel the generator while the engine is running. **ALWAYS** turn the engine off and allow the generator to cool for two minutes before refueling.

NOTICE



DO NOT use E15 or E85 fuel in this product. Engine or equipment damage caused by stale fuel or the use of unapproved fuels (such as E15 or E85 ethanol blends) is not covered by warranty. Only use unleaded gasoline containing up to 10% ethanol.

FUEL REQUIREMENTS

- CLEAN, FRESH, unleaded gasoline, 87–93 octane.
- Up to 10% ethanol (gasohol) is acceptable (where available; non-ethanol fuel is recommended).
- **DO NOT** use E85 or E15.
- **DO NOT** use a gas oil mix.
- **DO NOT** modify the engine to run on alternate fuels.
- **DO NOT** fuel indoors.
- **DO NOT** create a spark or flame while fueling.

USING FUEL STABILIZER

Adding a fuel stabilizer (not included) extends the usable life of fuel and helps prevent deposits from forming that can clog the fuel system. Follow the manufacturer's instructions for use.

ALWAYS mix the correct amount of fuel stabilizer to gasoline in an approved gasoline container before fueling the generator. Run the generator for five minutes to allow the stabilizer to treat the entire fuel system.

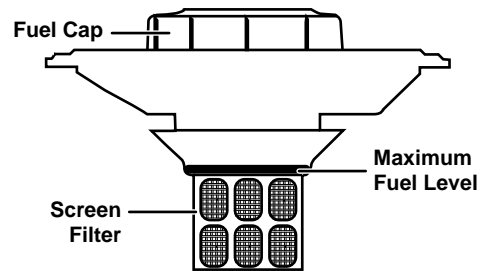
FILLING THE FUEL TANK

1. Turn the generator OFF and allow to cool for a minimum of two minutes before fueling.
2. Place the generator on level ground in a well ventilated area.
3. Clean area around fuel cap and remove the cap slowly.

NOTICE

Only fill the tank from an approved gasoline container. Make sure the gasoline container is internally clean and in good condition to prevent fuel system contamination.

4. Slowly add the recommended fuel. **DO NOT** overfill. Fill only to the red maximum fill ring on the fuel screen filter visible in the filler neck.



5. Install the fuel cap and tighten until a click is heard.

NOTICE

Fuel can damage paint and plastic. Use caution when filling the fuel tank. Damage caused by spilled fuel is not covered under warranty.

NOTICE

Clean the fuel screen filter of debris before and after each fueling. Remove the fuel screen filter by slightly compressing it while removing it from the fuel tank.

CONNECT AN LPG/PROPANE TANK

NOTICE

- The LPG/propane tank can be of any capacity but the tank must conform to the standard as listed in Fuel Safety section.
- Propane tanks that use liquid withdrawal system can not be used on these models.
- Verify the re-qualification date on the tank has not expired.
- Do not use included LPG/propane hose for any other appliances.

NOTICE

- All new tanks must be purged of air and moisture prior to filling. Used tanks that have not been plugged or kept closed must also be purged. The purging process should be done by a propane supplier (Tanks from an exchange supplier should have been purged and filled properly).
- Always position the tank so the connection between the valve and the gas inlet will not cause sharp bends or kinks in the hose.

▲ WARNING

Explosion hazard. Do not start generator if you smell LPG. Always fully close the propane tank valve and disconnect the LPG/propane hose from the generator when not in use.

1. Turn the generator OFF and place on a flat surface in a well ventilated area.

2. Verify that the propane tank valve is in the fully closed position.
3. Remove the cover on the generator propane inlet valve.
4. Use your fingers to hand thread the LPG/propane hose (included) to the propane inlet on the generator.

IMPORTANT: DO NOT use thread seal tape or any other type of sealant to seal the LPG/propane hose connection.

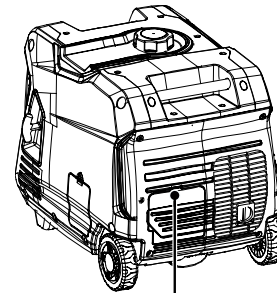
5. Tighten the LPG/propane hose connector to the generator with a 19 mm or adjustable wrench. DO NOT over-tighten.

Torque: 5-10 lb-ft.

6. Remove the safety plug or cap from the propane tank valve.
7. Attach the other end of the hose to the LPG/propane connector on the tank and hand tighten.
8. Turn the propane tank valve to the fully open position. Check all connections for leaks by wetting the fittings with a solution of soap and water. Bubbles which appear or bubbles which grow indicate that a leak exists. If a leak exists at a fitting, turn the propane tank valve to the fully closed position and tighten the fitting. Turn the valve back on and recheck the fitting with the soap and water solution. If the leak continues or if the leak is not at a fitting then do not use the generator and contact customer service.

CONNECT THE BATTERY

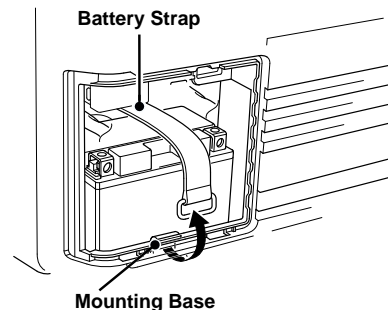
1. Push down the battery access cover tab and pull the cover forward to remove it.



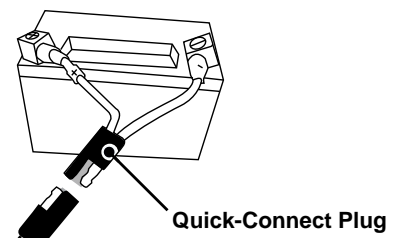
Battery Access Cover Tab

2. Verify that the rubber battery strap is firmly securing the battery in place. If loose, pull on the strap and hook it onto the mounting base.

Note: If the strap is loose behind the battery, remove the battery, reconnect the strap, replace the battery, then thread the strap under the battery quick connect cables.



3. A quick-connect battery plug is pre-installed on the battery. Remove the cable tie securing the plugs then push firmly to connect them.



Align the tabs on the bottom of the battery access cover with the generator case then push to reinstall the cover.

Note: The generator is equipped with a battery charging feature. Once the engine is running, a small charge will slowly recharge the battery.

OPERATION

GENERATOR LOCATION

Read and understand all safety information before starting the generator.



NEVER operate the generator inside any building, including garages, basements, crawlspaces, sheds, enclosure, or compartment, including the generator compartment of a recreational vehicle.

▲ DANGER

Electrocution hazard. **NEVER** use the generator in a location that is wet or damp. **NEVER** expose the generator to rain, snow, water spray, or standing water while in use. Protect the generator from all hazardous weather conditions. Moisture or ice can cause a short circuit or other malfunction in the electrical circuit. Using a generator or electrical appliance in wet conditions, such as rain or snow, near a pool or sprinkler system, or when your hands are wet, could result in electrocution.

▲ WARNING

Fire hazard. Only operate the generator on a solid, level surface. Operating the generator on a surface with loose material such as sand or grass clippings can cause debris to be ingested by the generator that could block cooling vents or the air intake system. Allow the generator to cool for 30 minutes before transport or storage.

The generator should be on a flat, level surface at all times (Even while not in operation). The generator must have at least 5 ft. (1.5 m) of clearance from all combustible material.

DO NOT operate the generator in the back of a SUV, camper, trailer, truck bed (regular, flat, or otherwise), under stairs, next to walls or buildings, or in any other location that will not allow for adequate cooling of the generator and/or the muffler. **DO NOT** contain generators during operation.

▲ DANGER

Asphyxiation hazard. Place the generator in a well-ventilated area. **DO NOT** place the generator near vents or intakes where exhaust fumes could be drawn into occupied or confined spaces. Carefully consider wind and air currents when positioning generator.

GROUNDING

▲ WARNING

Shock hazard. Failure to properly ground the generator can result in electric shock.

The generator neutral is floating (the neutral wire is isolated from the grounding fastener and the AC receptacle ground pins).

If this generator will be used only with cord and plug equipment connected to the receptacles mounted on the generator, National Electric Code does not require that the unit be grounded. However, other methods of using the generator may require grounding to reduce the risk of shock or electrocution.

NOTICE

Only use grounded 3-prong extension cords, tools, and appliances, or double-insulated tools and appliances.

Consult a qualified electrician, electrical inspector, or local agency having jurisdiction for local codes or ordinances to find out if grounding is needed in your situation before using the generator.

HIGH ALTITUDE OPERATION

Engine power is reduced the higher you operate above sea level. Output will be reduced approximately 3.5% for every 1000 feet of increased altitude from sea level.

High altitude adjustment is required for operation at altitudes over 5,000 ft. (1524 m). Operation without this adjustment will cause decreased performance, increased fuel consumption, and increased emissions.

NOTICE

Do not operate the generator at altitudes below 2,000 ft. (762 m) with the high altitude kit installed. Engine damage may occur.

High Altitude Carburetor Kit: Part# A058V024

REMOTE START

▲ WARNING

Verify that the area around the generator is clear before remote starting the generator.

The remote start key fob included with the generator should be attached to the recoil handle or control panel. If your unit was shipped without a key fob, contact the Cummins support team.

The generator can be started remotely from up to 99 feet (30 meter) using the remote start key fob.

Note: As the batteries in the remote start key fob drain, operational distance will decrease.

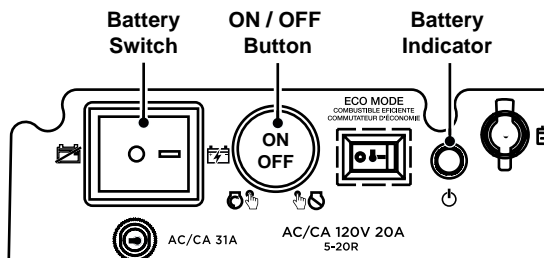
Remote replacement batteries: (2) CR2016

Remote replacement: A058U9858

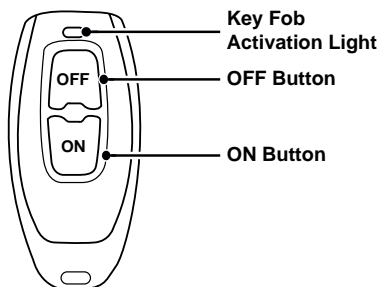
REPROGRAMMING THE REMOTE START

If the remote start key fob is replaced or needs re-paired to the generator, follow this procedure.

1. Turn the generator battery switch to the ON position.
2. Push and hold the ON/OFF button for 10 seconds, then release. The start indicator light will flash green.



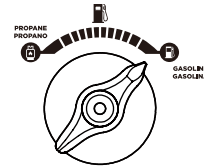
3. Push the ON button on the remote start key fob. It will pair with generator automatically and the start indicator light on the generator will stop flashing.



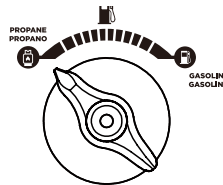
FUEL SELECTOR SWITCH

Position the fuel selector switch on the front control panel to the desired fuel choice.

Turn the fuel selector switch fully to the right for gasoline operation.



Turn the fuel selector switch fully to the left for propane operation.



BREAK-IN PERIOD

For proper break-in, **DO NOT** exceed 50% of the rated running watts (1850 watts) during the first five hours of operation.

Vary the load occasionally to allow stator windings to heat and cool and help seat the piston rings.

FREQUENCY OF USE

If the generator will be used on an infrequent or intermittent basis (more than one month before next use), refer to the Battery Maintenance and Storage sections of this manual for information regarding battery and fuel deterioration.

BEFORE STARTING THE GENERATOR

- Verify that the generator is placed in a safe, appropriate location.
- Make sure the generator is on a dry, flat, and level surface.
- Verify that the engine is filled with oil.
- Verify that all loads are disconnected.

▲ DANGER

Fire and explosion hazard. **DO NOT** move or tip the generator during operation.

STARTING THE ENGINE: GASOLINE

1. Verify that fuel is in the gas tank.
2. Turn the fuel selector switch to gasoline operation.
3. Push the battery switch to the ON position.
4. Choose the starting method:

- a. **Recoil Start:** Firmly grasp and pull the recoil handle slowly until you feel increased resistance, then pull rapidly.
- b. **Remote Start:** Push and hold the ON button on the remote start key fob for one second.
- c. **Push-Button Start:** Push and hold the engine start button for two seconds.

STARTING THE ENGINE: LPG

▲ DANGER

Fire and explosion hazard. Always turn the propane tank valve to the fully closed position if not running the generator on propane.

1. Make sure the LPG/propane hose is correctly connected to the generator and propane tank.
2. Turn the fuel selector switch to propane operation.
3. Fully open the valve on the propane tank.
4. Push the battery switch to the ON position.
5. Choose the starting method:
 - a. **Recoil Start:** Firmly grasp and pull the recoil handle slowly until you feel increased resistance, then pull rapidly.
 - b. **Remote Start:** Push and hold the ON button on the remote start key fob for one second.
 - c. **Push-Button Start:** Push and hold the engine ON/OFF button for two seconds.

Note: The engine will automatically set the choke and begin the start sequence. If the engine fails to start, the generator will attempt to start the engine two more times.

SWITCHING FUEL SOURCES

▲ DANGER

Fire and explosion hazard. DO NOT add gasoline to the fuel tank or connect the LPG/propane hose to the generator while the generator is in operation.

The fuel source can be switched while the engine is running if a propane tank is connected to the generator BEFORE operation.

GASOLINE TO PROPANE

IMPORTANT: Load capacity is reduced when running on propane. Make sure the generator can supply enough (running) and surge (starting) watts for the items you are powering before switching to propane.

1. Turn the propane tank valve to the fully open position.
2. Turn the fuel selector switch to propane operation.

PROPANE TO GASOLINE

1. Turn the fuel selector switch to gasoline operation.
2. Turn the propane tank valve to the fully closed position.

Note: When switching to propane operation the engine may run rough for a few seconds while it purges gasoline in the carburetor.

If the engine stops when switching fuel sources, disconnect all loads then restart the unit on the fuel source of choice.

STOPPING THE ENGINE

1. Turn off and unplug all connected electrical loads. **NEVER** start or stop the generator with electrical devices plugged in or turned on.
2. Let the generator run with no load for several minutes to stabilize internal temperatures of the engine and generator.
3. Push and hold the ON/OFF button for one second or push OFF on the remote start key fob for one second.
4. Push the battery switch to the OFF position.

Note: If the engine will not be used for two weeks or longer, refer to the Storage section for correct engine and fuel storage procedures.

ECO MODE

NOTICE

ALWAYS start the generator with ECO MODE OFF. Allow the engine speed to stabilize and the OUTPUT READY LED to illuminate before switching ECO MODE ON.

NOTE: DO NOT use ECO MODE when in parallel operation.

ECO MODE minimizes fuel consumption and noise by adjusting the engine RPM to the minimum required for the current load.

Turn ECO MODE ON when powering small appliances with continuous loads such as a computer or electric light.

Turn ECO MODE OFF when powering large surge loads

such as an air conditioner or electric pump.

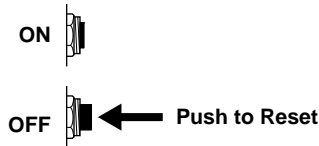
To turn on ECO MODE, verify that the OUTPUT READY LED is illuminated green, then push the switch to the ON position. If no load is present, the generator RPM will drop to idle speed. The generator will detect loads as they are applied and increase engine RPM.

To run the generator at maximum power and RPM, push the ECO MODE switch to the OFF position.

AC CIRCUIT BREAKERS

The circuit breakers will automatically switch OFF if there is a short circuit or a significant overload of the generator at each receptacle. The main circuit breaker will automatically switch OFF if the combined load of the receptacles exceeds 31 Amps.

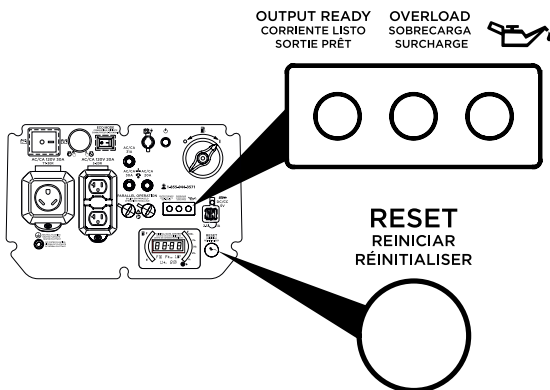
If an AC circuit breaker switches OFF automatically, check that the appliance is working correctly and it does not exceed the rated load capacity of the circuit before resetting the AC circuit breaker ON.



OVERLOAD RESET

The generator will automatically switch OFF all AC output to protect the generator if overloaded or if there is a short circuit in a connected appliance. However, the engine will continue to run. Marginal overloading that temporarily illuminates the OVERLOAD LED may shorten the service life of the generator.

OVERLOAD on the control panel will illuminate red and the green OUTPUT READY will be OFF.



To restore AC output:

1. Turn off and unplug all connected electrical loads.
2. Push the RESET button on the control panel until the OVERLOAD LED goes OFF and the OUTPUT READY LED is illuminated.
3. Reset the circuit breakers if OFF.

4. Verify that the intended running and surge loads **DO NOT** exceed the generator's capacity.
5. Reconnect electrical loads sequentially, allowing the generator to stabilize after each load is connected.

GENERATOR CAPACITY

NOTICE

DO NOT overload the generator's capacity. Exceeding the generator's wattage/ampere capacity can damage the generator and/or electrical devices connected to it.

Make sure the generator can supply enough continuous (running) and surge (starting) watts for the items you will power at the same time.

The total power requirements (Volts x Amps = Watts) of all appliances connected must be considered. Appliance and power tool manufacturers usually list rating information near the model or serial number.

To determine power requirements:

1. Select the items you will power at the same time.
2. Total the continuous (running) watts of these items. This is the amount of power the generator must produce to keep the items running. See the wattage reference chart on the next page.
3. Estimate how many surge (starting) watts you will need. Surge wattage is the short burst of power needed to start electric motor-driven tools or appliances such as a circular saw or refrigerator. Because not all motors start at the same time, total surge watts can be estimated by adding only the item(s) with the highest additional surge watts to the total rated watts from step 2.

Example:

Tool or Appliance	Running Watts*	Starting Watts*
RV Air Conditioner (11,000 BTU)	1010	1600
TV (Tube Type)	300	0
RV Refrigerator	180	600
Radio	200	0
Light (75 Watts)	300	0
Coffee Maker	600	0
	2590 Total Running Watts*	1600 Highest Starting Watts*
	Total Running Watts	2590
	Highest Starting Watts	+ 1600
	Total Starting Watts Needed	4190

*Wattages listed are approximate. Verify actual wattage.

POWER MANAGEMENT

To prolong the life of the generator and attached devices, use care when adding electrical loads to the generator. There should be nothing connected to the generator outlets before starting the engine. The correct and safe way to manage generator power is to sequentially add loads as follows:

1. With nothing connected to the generator, start the engine as described in this manual.
2. Plug in and turn on the first load, preferably the largest load you have.
3. Permit the generator output to stabilize (engine runs smoothly and attached device operates properly).
4. Plug in and turn on the next load.
5. Again, permit the generator to stabilize.
6. Repeat steps 4 and 5 for each additional load.

Wattage Reference

Tool or Appliance	Estimated Running Watts*	Estimated Starting Watts*
Incandescent Lights (4 Quantity x 75 Watts)	300	0
TV (Tube Type)	300	0
Sump Pump (1/3 hp)	800	1300
Refrigerator or Freezer	700	2200
Well Pump (1/3 hp)	1000	2000
Furnace (1/2 hp)	800	2350
Radio	200	0
Drill (3/8", 4 amps)	440	600
Circular Saw (Heavy Duty, 7-1/4")	1400	2300
Miter Saw (10")	1800	1800
Table Saw (10")	2000	2000

*Wattages listed are approximate. Verify actual wattage.

EXTENSION CORDS

▲ WARNING

Asphyxiation hazard. Extension cords running directly into the home increase the risk of carbon monoxide poisoning through any openings. If an extension cord running directly into your home is used to power indoor items, there is a risk of carbon monoxide poisoning to people inside the home. **ALWAYS** use battery-powered carbon monoxide detector (s) that meet current UL 2034 safety standards when running the generator. Regularly check the detector (s) battery.

▲ WARNING

Asphyxiation hazard. When operating the generator with extension cords, make sure the generator is located in an open, outdoor area, far away from occupied spaces with exhaust pointed away.

▲ WARNING

Fire and electrocution hazard. **NEVER** use worn or damaged extension cords. Damaged or overloaded extension cords could overheat, arc, and burn resulting in death or serious injury.

Before connecting an AC appliance or power cord to the generator:

- Use grounded 3-prong extension cords, tools, and appliances, or double-insulated tools and appliances.
- Make sure the tool or appliance is in good working order. Faulty appliances or power cords can create a potential for electric shock.
- Make sure the electrical rating of the tool or appliance does not exceed the rated power of the generator or the receptacle being used.

EXTENSION CORD SIZING

Only use grounded 3-prong extension cords marked for outdoor use that are rated for the electrical load.

Total Amperage	Minimum Gauge, Outdoor Rated	
	Up to 50 FT (15 M)	Up to 100 FT (30 M)
Up to 10A	12	8
Up to 15A	10	8
Up to 20A	10	6
Up to 30A	8	6
Up to 35A	6	6

PARALLEL OPERATION

▲ WARNING

Fire and electrocution hazard. **NEVER** connect or disconnect the parallel cord leads when a generator is running.

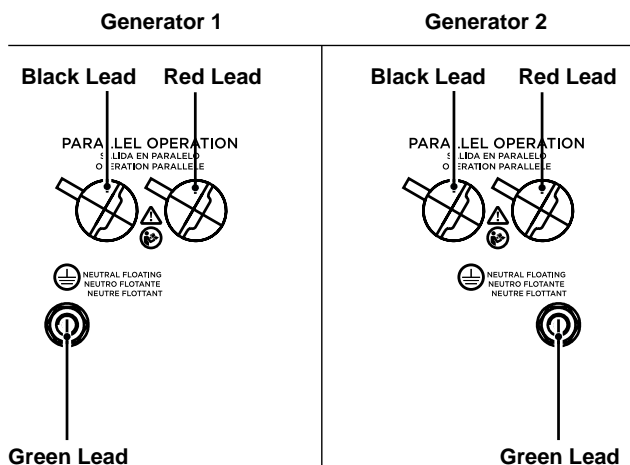
NOTICE

Connecting the P4500iDF to a generator that is not compatible can cause a low voltage output that can damage tools and appliances powered by the generator.

Used with Cummins 50A parallel kit (A058M290, sold separately). Combine with compatible Cummins inverter (sold separately) to achieve 50A output. Ideal for RV applications.

1. Make sure both generator battery switches are in the OFF position and the ECO MODE switch on both generators is in the OFF position.
2. Connect the black and red parallel cable leads to the black parallel ports on each corresponding generator control panel as shown below. Connect the black lead to the left port, the red lead to the right port.

NOTE: DO NOT connect two red leads or two black leads into the same generator.



3. Connect the green ground lead to the ground terminal on each generator and tighten the nut.
4. Start one of the generators and wait until the OUTPUT READY LED illuminates.
5. Start the second generator and wait until the OUTPUT READY LED illuminates before connecting a load.
6. Connect additional loads as described in the Power Management section.
7. Unplug all loads before stopping the generators.

TRANSPORTING

▲ CAUTION

Weight hazard. **ALWAYS** have assistance when lifting the generator.

- Allow the generator to cool a minimum of 30 minutes before transporting.
- Replace all protective covers on the generator control panel.
- Only use the generator's fixed handle(s) to lift the unit or attach any load restraints such as ropes or tie-down straps. **DO NOT** attempt to lift or secure the generator by holding onto any of its other components.
- Keep the unit level during transport to minimize the possibility of fuel leakage or, if possible, drain the fuel or run the engine until the fuel tank is empty before transport.
- The generator wheels are only intended for hand transport. The wheels are not suitable for towing the generator either on or off-road.
- Use the extendable handle for one-person, hand transport. To deploy the handle, push on the locking button and pull on the handle until it's fully extended. To stow it, push on the locking button and push on the handle until it's fully retracted. Only extend or retract the handle while the generator is OFF, stationary, and resting on a horizontal surface. **DO NOT** use the extendable handle to lift the generator entirely off the ground, tow it, or up-end it.

▲ CAUTION

Fire hazard. **DO NOT** fully up-end the generator. Fuel or oil can leak and damage to the generator may occur.

MAINTENANCE

MAINTENANCE SCHEDULE

Regular maintenance will improve performance and extend the service life of the generator. Follow the hourly or calendar intervals, whichever occurs first. More frequent service is required when operating in adverse conditions as noted below.

Before Each Use
Check engine oil
After First 25 Hours or First Month
Change engine oil
After 50 Hours or Every 6 Months
Change engine oil ¹ Clean air filter ²
After 100 Hours or Every 6 Months
Inspect/clean spark arrestor Inspect/clean spark plug Replace fuel filter ³ Inspect/adjust valve clearance ³
After 300 Hours or Every Year
Replace spark plug Replace air filter

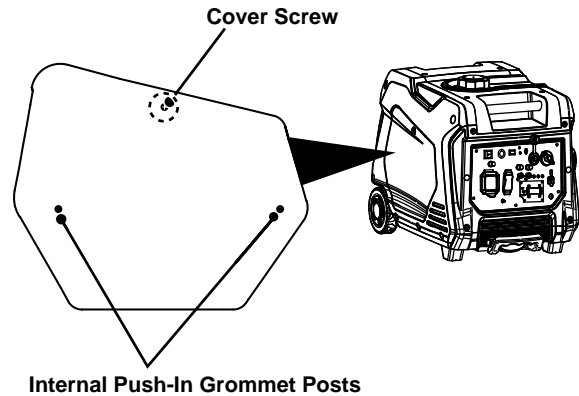
- ¹ Change oil every month when operating under heavy load or in high temperatures.
- ² Clean more often under dirty or dusty conditions. Replace air filter if it cannot be adequately cleaned.
- ³ Recommend service to be performed by authorized Cummins service dealer.

MAINTENANCE REPLACEMENT PARTS

Description	Part Number
Foam air filter	A064D489
Oil drain plug crush washer	A064D595
Spark arrestor	A064D502
Battery	A058U961
Spark plug	A058V025

ENGINE SERVICE COVER

Remove the engine service cover to access the air filter, carburetor, and spark plug. Remove the cover screw then pull the cover straight out with both hands to prevent damage to the grommet posts on the cover.



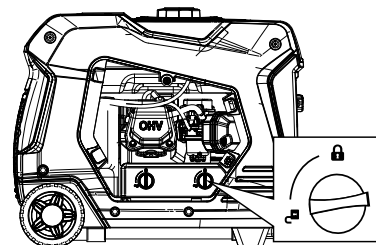
AIR FILTER MAINTENANCE

▲ WARNING

Fire hazard. **NEVER** use gasoline or other flammable solvents to clean the air filter. Use only household detergent soap to clean the air filter.

The air filter must be cleaned after every 50 hours of use or six months (frequency should be increased if the generator is operated in a dusty environment).

1. Place the generator on a level surface and allow the engine to cool for several minutes.
2. Remove the engine service cover.
3. Turn the knobs on the air cleaner cover to the unlocked position. Tip the cover down to remove.



Note: The air filter element is oil soaked. Use an appropriate cleaning container.

NOTICE

Avoid skin contact with engine oil. Wear protective clothing and equipment. Wash all exposed skin with soap and water.

4. Remove the foam air filter from the air cleaner housing and wash it by submerging the element in a solution of household detergent soap and warm water. Slowly squeeze the foam to thoroughly clean.

NOTICE

DO NOT twist or tear the foam air filter element during cleaning or drying. Only apply slow but firm squeezing action.

- Rinse the air filter element by submerging it in fresh water and applying a slow squeezing action. Allow the filter to dry thoroughly.

NOTICE

DO NOT pollute. Follow the guidelines of the EPA or other governmental agencies for proper disposal of hazardous materials. Consult local authorities or reclamation facility.

- Dip the foam air filter in clean engine oil then squeeze out all excess oil. The engine will smoke when started if too much oil is left in the filter.
- Install the foam air filter in the housing and lock the air cleaner cover in place.
- Install the engine service panel.

ENGINE OIL LEVEL CHECK

▲ CAUTION

Avoid skin contact with engine oil. Wear protective clothing and equipment. Wash all exposed skin with soap and water.

NOTICE

ALWAYS use the specified engine oil. Failure to use the specified engine oil can cause accelerated wear and/or shorten the life of the engine.

When using the generator under extreme, dirty, dusty conditions or in extremely hot weather, change the oil more frequently.

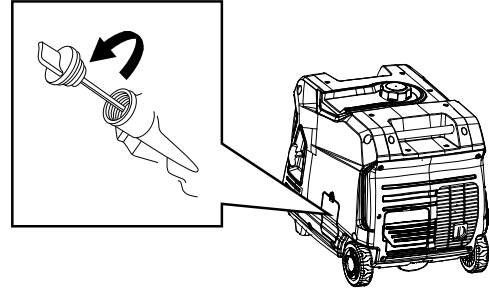
Ambient air temperature will affect engine oil performance. Change the type of engine oil used based on weather conditions.

Recommended Engine Oil Type									
		10W-30							
	5W-30					10W-40			
	5W-30 Synthetic								
°F	-20	0	20	40	60	80	100	120	
°C	-28.9	-17.8	-6.7	4.4	15.6	26.7	37.8	48.9	
Ambient temperature									

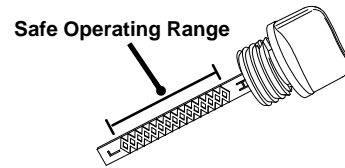
Check the engine oil level before each use or every 8 hours of operation.

- Place the generator on a level surface and allow the engine to cool for several minutes.

- Remove the oil access cover.
- With a damp rag, clean around the oil dipstick.
- Remove the oil dipstick and wipe the dipstick clean.



- Insert the dipstick into the filler neck without screwing it in. Remove the dipstick and verify that the oil level is within safe operating range.



- If low, add recommended engine oil incrementally and recheck until the level is between the L and H marks on the dipstick. **DO NOT** overfill. If over the full mark on dipstick, drain the oil to reduce oil level to the full mark on dipstick.
- Replace the oil dipstick and hand-tighten.
- Install the oil access cover.

ENGINE OIL CHANGE

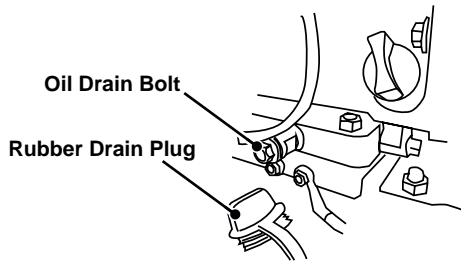
▲ WARNING

Accidental start-up. Remove the spark plug boot from the spark plug when working on the generator. Also remove the battery quick-connect plug from the battery.

When using the generator in dusty conditions or in extremely hot weather, change the oil more frequently. Change the oil while the engine is still warm from operation.

- Place the generator on a level surface and allow the engine to cool for several minutes.
- Remove the engine service cover. Disconnect the spark plug wire from the spark plug and place the wire where it cannot contact the spark plug.
- Remove the oil access cover.
- With a damp rag, clean around the oil dipstick. Remove the dipstick and wipe clean.
- Remove the rubber plug under the oil drain bolt and place an oil pan (or suitable container) under the drain hole.

- Using a 10mm wrench, remove the oil drain bolt and allow the oil to drain.



- Install the oil drain plug and tighten securely. Install the rubber plug.

Note: A new oil drain plug crush washer is recommended at each oil change.

- Slowly pour oil into the oil fill opening until the oil level is between the L and H marks on the dipstick. Stop frequently to check the oil level. **DO NOT** overfill.

Maximum oil capacity: 0.63 US qt (0.60 L)

- Replace the dipstick and hand-tighten.
- Connect the spark plug wire and install the engine service cover.

NOTICE

DO NOT pollute. Follow the guidelines of the EPA or other governmental agencies for proper disposal of hazardous materials. Consult local authorities or reclamation facility.

SPARK PLUG MAINTENANCE

Inspect and clean the spark plug after every 100 hours of use or six months. Replace the spark plug after 300 hours of use or every year.

- Place the generator on a level surface and allow the engine to cool.
- Remove the engine service cover.
- Remove the spark plug boot by firmly pulling the spark boot directly away from the engine.
- Clean the area around the spark plug.
- Remove the spark plug with the included spark plug socket wrench.

NOTICE

NEVER apply any side load or move the spark plug laterally when removing the spark plug.

- Inspect the spark plug. Replace if electrodes are pitted, burned, or the insulator is cracked. Only use a recommended replacement plug.

Recommended Spark Plug Replacement

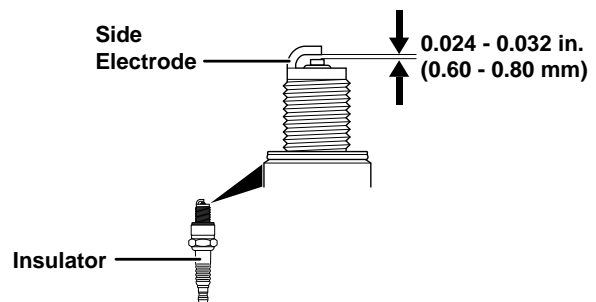
Cummins Model Number	Cummins	Torch	NGK
P4500iDF	A058V025	F7RTC	BPR7ES

NOTICE

Always use the Cummins OEM or compatible resistor-type spark plug. Use of a non-resistor spark plug can result in rough idling, misfire, or damage to generator components.

- Measure the spark plug electrode gap with a wire-type feeler gauge. If necessary, correct the gap by carefully bending the side electrode.

Spark plug gap: 0.024 - 0.032 in. (0.60 - 0.80 mm)

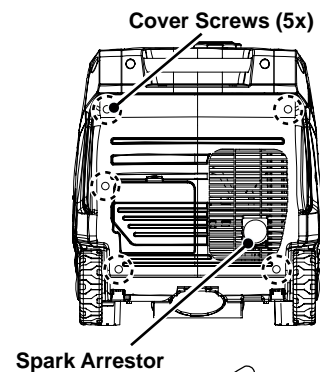


- Carefully install the spark plug finger tight, then tighten as additional 3/8 to 1/2 turn with the spark plug wrench.
- Install the spark plug boot and engine service cover.

SPARK ARRESTOR SERVICE

Check and clean the spark arrestor after every 100 hours of use or six months. Failure to clean the spark arrestor will result in degraded engine performance.

- Place the generator on a level surface and allow the muffler to cool before servicing the spark arrestor.
- Remove the cover screws and the muffler cover. Use a screw driver to remove the spark arrestor.



- Carefully remove the carbon deposits from the spark

arrestor screen with a wire brush. The spark arrestor must be free of breaks and tears. Replace the spark arrestor if damaged.

4. Reinstall the spark arrestor and muffler cover.

BATTERY MAINTENANCE

The battery shipped with the generator has been fully charged. A battery may lose some charge when not in use for prolonged periods of time. If the battery is unable to crank the engine, plug the included 12V charger into the battery charging port on the control panel.

Note: If the generator is not run, charge the battery overnight once a month.

▲ CAUTION

The supplied battery charger is not a trickle charger and is not intended for continuous use. **DO NOT** use the battery charger for more than 8 hours (overnight) to prevent overcharging the battery.

Note: Once started, the generator will charge the battery after 30–60 minutes of use. If you **DO NOT** regularly run the generator, charge the battery overnight once a month to keep it ready for use. Charge the battery in a dry location.

1. Plug the charger into the battery charging port on the control panel. Plug the wall receptacle end of the battery charger into a 120 Volt AC wall outlet.
2. Unplug the battery charger from wall outlet and control panel jack after 8 hours of charging.

BATTERY REPLACEMENT

▲ WARNING

Burn hazard. The battery contains sulfuric acid (electrolyte) which is highly corrosive and poisonous. Wear protective clothing and eye protection when working near the battery. Keep children away from the battery.

▲ CAUTION

Battery posts, terminals contain lead and lead compounds. Wash hands after handling.

1. Remove the battery access cover.
2. Remove the quick-connect plug and remove the battery strap. Remove the battery from the unit.
3. Disconnect the quick-disconnect cable leads from the battery.
4. On the replacement battery, connect the white (-) quick-connect cable to the battery negative terminal. Slide the

rubber boot over the connection hardware.

5. Connect the red (+) quick-connect cable to the battery positive terminal. Slide the rubber boot over the connection hardware.
6. Lift the battery strap and install the battery into the generator. Thread the battery strap under the quick-connect cables and secure it on the mounting base.
7. Connect the quick-connect plug and install the battery access cover.

NOTICE

Dispose of the used battery properly according to the guidelines established by your local or state government.

STORAGE

Proper storage preparation is required for trouble-free operation and generator longevity.

NOTICE

Gasoline stored for as little as 30 days can deteriorate, causing gum, varnish, and corrosive buildup in fuel lines, fuel passages and the engine. This corrosive buildup restricts the flow of fuel, which can prevent the engine from starting after a prolonged storage period. The use of fuel stabilizer significantly increases the storage life of gasoline. Full-time use of fuel stabilizer is recommended. Follow the manufacturer's instructions for use.

STORAGE TIME	RECOMMENDED PROCEDURE
Less than 1 month	No service required.
2 to 6 months	Fill with fresh gasoline and add gasoline stabilizer. Drain the carburetor float bowl.
6 months or longer	Drain the fuel tank and carburetor float bowl.

SHORT TERM STORAGE

- Allow the generator to cool a minimum of 30 minutes before storage.
- Replace all protective covers on the generator control panel.
- Wipe the generator with a moist cloth. Clean any debris from the air inlets under the control panel and muffler cooling vents.
- Store the generator in a well-ventilated, dry location away from sparks, open flames, pilot lights, heat, and other sources of ignition such as areas with a spark-producing electric motor or where power tools are operated.
- **DO NOT** store the generator or gasoline near furnaces, water heaters, or any other appliances that produce heat or have automatic ignitions.

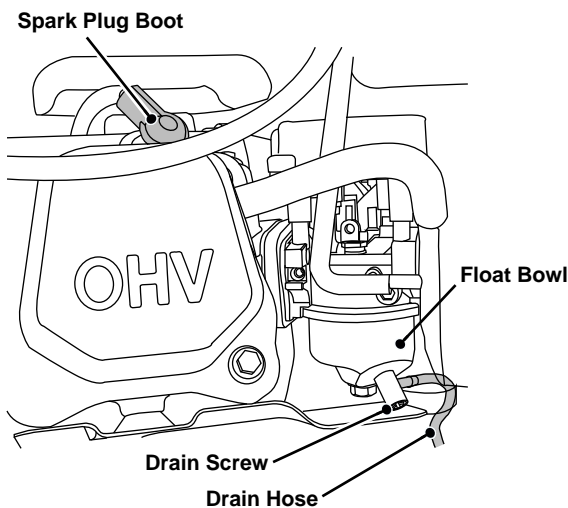
- With the engine and exhaust system cool and all surfaces dry, cover the generator to keep out dust. **DO NOT** use a plastic sheet as a dust cover. Non-porous materials trap moisture and promote rust and corrosion.

LONG TERM STORAGE

Even properly stabilized fuel can leave residue and cause corrosion if left long term. If storing the generator for two to six months, drain the float bowl to prevent gum and varnish buildup in the carburetor.

DRAINING THE FLOAT BOWL

1. Remove the engine service cover.
2. Locate the drain hose extending from the bottom of the carburetor float bowl.



3. Place the loose end of the hose outside the generator into an approved gasoline container to catch the drained fuel.
4. Loosen the float bowl drain screw and allow the fuel to drain. Tighten the float bowl drain screw.
5. Route the drain hose between the air cleaner housing and the engine service cover. Install the engine service cover.

DRAINING THE FUEL TANK

If storing the generator for longer than six months, drain the fuel tank to prevent fuel separation, deterioration, and deposits in the fuel system.

1. Unscrew the fuel tank cap. Remove the fuel screen filter by slightly compressing it while removing it from the tank.
2. Using a commercially available gasoline hand pump (not included), siphon the gasoline from the fuel tank into an approved gasoline container. **DO NOT** use an electric pump.
3. Reinstall the fuel screen filter and the fuel tank cap.

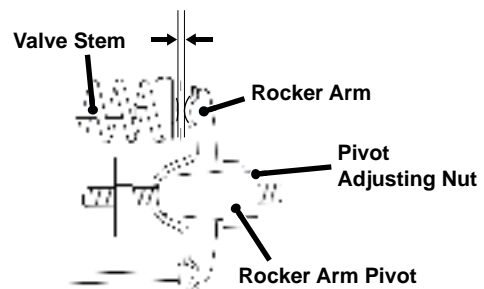
4. Start the generator and allow it to run until the generator engine stops.
5. Push the battery switch to the OFF position.
6. Disconnect the battery quick-connect plug.
7. Remove the spark plug.
8. Put a teaspoon of engine oil into the cylinder and pull the recoil handle until resistance is felt. At this position the piston is coming up on its compression stroke and both valves are closed. Storing the engine in this position will help prevent internal corrosion. Return the recoil handle gently.
9. Reinstall the spark plug. Leave the spark plug boot disconnected to prevent accidental starting.
10. Install the engine service cover.

VALVE CLEARANCE

NOTICE

Checking and adjusting valve clearance must be done when the engine is cold.

1. Remove the rocker arm cover and carefully remove the gasket. If the gasket is torn or damaged, it must be replaced.
2. Remove the spark plug so the engine can be rotated more easily.
3. Rotate the engine to top dead center (TDC) by pulling the recoil handle slowly. Looking through the spark plug hole, the piston should be at the top (both valves are closed).
4. Both the rocker arms should be loose at TDC on the compression stroke. If they are not, rotate the engine 360°.
5. Insert a feeler gauge between the rocker arm and the valve stem to measure valve clearance.



	Intake Valve	Exhaust Valve
Valve Clearance	0.0031 – 0.0047 in (0.08 – 0.12 mm)	0.0051 – 0.0067 in (0.13 – 0.17 mm)
Torque	8-12 N•m	8-12 N•m

- If an adjustment is necessary, hold the rocker arm pivot and loosen the pivot adjusting nut.
- Turn the rocker arm pivot to obtain the specified clearance. Hold the rocker arm pivot and re-tighten the pivot adjusting nut to the specified torque.

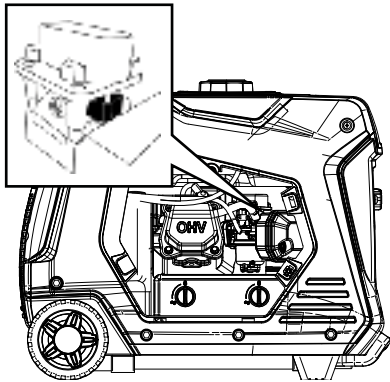
Torque: 106 inch-pound (12 N•m)

- Perform this procedure for the other valve.
- Install the gasket, rocker arm cover, and spark plug.

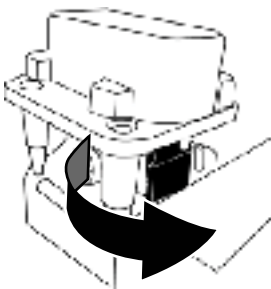
MANUAL CHOKE OPERATION

If the battery is dead or disconnected, you may need to set the choke by hand for proper operation.

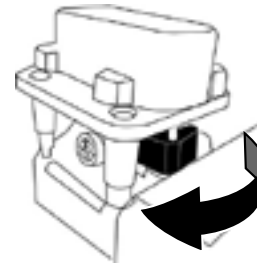
- Remove the engine service cover.
- Locate the small black choke lever on top of the carburetor.



- To close the choke for cold starting: Use a screwdriver to push the black lever toward the front of the generator.



- Start the generator. The start-up sequence should automatically open the choke. If the choke does not open automatically, push the choke manually to open it.



NOTICE

Certain ambient temperatures and environments may require you to close the choke halfway for a successful start.

TROUBLESHOOTING

TROUBLESHOOTING

PROBLEM	POSSIBLE CAUSE	CORRECTION
Engine will not start	Battery switch in the OFF position.	Turn battery switch to the ON position.
	Out of fuel.	Refuel.
	Bad fuel, generator stored without treating or draining gasoline, or refueled with bad gasoline.	Drain the fuel tank. Refuel with fresh gasoline.
	Dirty air filter.	Clean the air filter.
	Low engine oil level stopped generator.	If low oil LED illuminated, turn battery switch to the OFF position. Add engine oil.
	Spark plug wet with fuel (flooded engine).	Wait five minutes. Turn battery switch to the OFF position. Pull recoil handle rapidly several times. If the generator does not start, remove spark plug and dry.
	Spark plug faulty, fouled, or improperly gapped.	Gap or replace the spark plug. Reinstall.
	Fuel filter restricted, fuel system malfunction, fuel pump failure, ignition malfunction, valves stuck, etc.	Contact the Cummins support team.
	Battery drained.	Use the recoil handle to start the generator. Charge the battery.
	Choke partially open or closed due to weak or disconnected battery.	Manually set the choke. See Maintenance section.
Engine starts, then shuts down	Out of fuel.	Refuel.
	Incorrect engine oil level.	Check engine oil level.
	Dirty air filter.	Clean the air filter.
	Contaminated fuel.	Drain the fuel tank. Refuel with fresh gasoline.
	Defective low oil level switch.	Contact the Cummins support team.
Engine lacks power	Air filter restricted.	Clean or replace air filter.
	Bad fuel, generator stored without treating or draining gasoline, or refueled with bad gasoline.	Drain the fuel tank. Refuel with fresh gasoline.
	Fuel filter restricted, fuel system malfunction, fuel pump failure, ignition malfunction, valves stuck, etc.	Contact the Cummins support team.
Engine runs rough or bogs when load applied	Dirty air filter.	Clean the air filter.
	Generator overloaded.	Unplug some devices.
	Faulty power tool or appliance.	Replace or repair tool or appliance. Stop and restart the engine.
	Fuel filter restricted, fuel system malfunction, fuel pump failure, ignition malfunction, valves stuck, etc.	Contact the Cummins support team.
No power at AC receptacles	OUTPUT READY LED is OFF and OVERLOAD LED is ON.	Check AC load. Stop and restart engine. Check the air inlet. Stop and restart the engine.
	AC circuit breaker/s tripped.	Check AC loads and reset circuit breaker/s.
	Faulty power tool or appliance.	Replace or repair tool or appliance. Stop and restart the engine.
	Faulty generator.	Contact the Cummins support team.

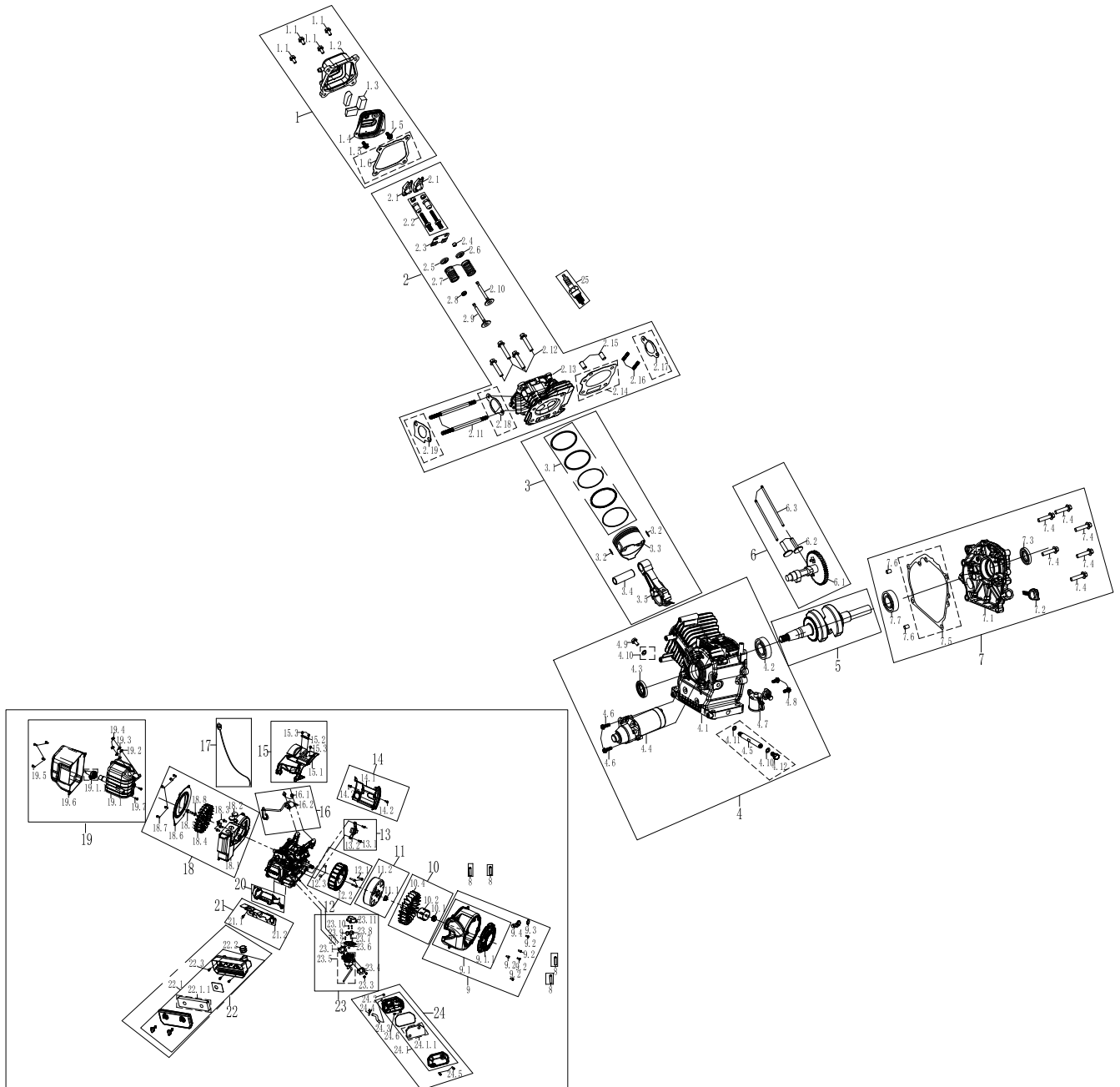
PROBLEM	POSSIBLE CAUSE	CORRECTION
Frost on the propane tank or regulator	If the temperature of the propane tank drops below the dew point, condensation on the tank may turn to frost or ice. This typically occurs in humid conditions.	Providing all the propane fuel handling equipment is functioning normally, no correction is needed.
	The Propane tank is not equipped with an overfilling prevention device (OPD).	If you suspect your propane fuel tank is not equipped with an OPD device, discontinue operation immediately and replace the propane fuel tank with a propane tank equipped with a an OPD.
	Propane fuel tank overfilled.	If you suspect your propane fuel tank has been overfilled, discontinue operation immediately and return the propane fuel tank to the place of purchase or refilling.
Propane fuel smell	Fuel regulator or fuel hose and fittings not securely sealed.	Using a soap solution check each connection and tighten as needed.
	Propane fuel regulator vent active.	The propane fuel regulator is equipped with a vent that will allow a small amount of propane fuel vapor to escape from the regulator when the propane tank valve is opened. This can be normal providing the venting of the propane is brief. If you suspect that this is abnormal, immediately discontinue use and have the propane regulator inspected by a qualified technician.
	Residual fuel from the carburetor dispersing after operation.	Normal, no correction is needed.
Poor performance or engine stalling on Propane	Propane fuel line kinked or crushed.	Inspect propane fuel line and remove kinks or other obstructions.
	Fuel selector valve not properly positioned.	Rotate the fuel valve fully until the pointer is directly in line with the desired fuel.
	Gasoline not purged from the carburetor before switching to propane.	Close the propane fuel tank valve. Move the fuel selector switch to gas. Start the engine and allow the engine to run until the gasoline has been consumed in the carburetor. Begin propane start up procedure.

EXPLODED VIEW

4-2022

EXPLODED VIEWS AND PARTS LISTS

ENGINE EXPLODED VIEW



EXPLODED VIEW

4-2022

ENGINE PARTS LIST

NO.	PART#	DESCRIPTION
1		CYLINDER HEAD COVER KIT ASSEMBLY
1.1	A064D543	BOLT M6X12
1.2	A064D719	CYLINDER HEAD COVER
1.3	A064D812	POLYURETHANE SCREEN
1.4	A064D720	CYLINDER HEAD INTERNAL COVER
1.5	A064D541	BOLT M5*12
1.6	A064D654	CYLINDER HEAD COVER GASKET
2		CYLINDER HEAD KIT ASSEMBLY
2.1	A064D730	ROCKING ARM
2.2	A064D567	ROCKING ARM WITH TIGHT BOLT ASSEMBLY
2.3	A064D731	VALVE RETAINER ASSEMBLY
2.4	A064D727	TOP CAP
2.5	A064D725	INTAKE VALVE SPRING SEAT
2.6	A064D726	EXHAUST VALVE SPRING SEAT
2.7	A064D740	VALVE SPRING
2.8	A064D728	INTAKE VALVE SPRING LOWER SEAT
2.9	A064D724	INTAKE VALVE
2.10	A064D739	EXHAUST VALVE
2.11	A064D538	AIR INLET STUD STUD BOLT
2.12	A064D558	BOLT M8*60
2.13	A064D718	CYLINDER HEAD
2.14	A064D643	CYLINDER HEAD GASKET
2.15	A064D717	CYLINDER HEAD LOCATING PIN
2.16	A064D535	AIR EXHAUST STUD STUD BOLT
2.17	A064D642	EXHAUST GASKET
2.18	A064D653	INTAKE GASKET
2.19	A064D641	CARBURETOR GASKET
3		PISTON & PISTON RING KIT ASSEMBLY
3.1	A064D723	PISTON RING ASSEMBLY
3.2	N/A	PISTON PIN RING
3.3	A064D721	PISTON
3.4	245503	PISTON PIN
3.5	A064D738	CONNECTING ROD ASSEMBLY
4		CRANKCASE KIT ASSEMBLY
4.1	A064D795	CRANKCASE
4.2	A064D585	BEARING
4.3	A064D588	CRANKCASE OIL SEAL
4.4	A064D664	STARTING MOTOR ASSEMBLY
4.5	A064D570	OIL DRAIN SOLENOID
4.6	A064D549	BOLT M6X30
4.7	245113	OIL SENSOR
4.8	A064D545	BOLT M6X16
4.9	A064D565	OIL DRAIN BOLT
4.10	A064D595	OIL DRAIN BOLT WASHER
4.11	A064D598	OIL DRAIN BOLT WASHER
4.12	A064D552	BOLT M8*12

NO	PART#	DESCRIPTION
5	A064D714	CRANKSHAFT ASSEMBLY
6		CAMSHAFT ASSEMBLY
6.1	A064D800	CAMSHAFT ASSEMBLY
6.2	246103	VALVE LIFTER
6.3	A064D741	PUSH ROD
7		CRANKCASE COVER KIT ASSEMBLY
7.1	A064D713	CRANKCASE COVER
7.2	A071T592	DIPSTICK ASSEMBLY
7.3	A064D588	CRANKCASE OIL SEAL
7.4	A064D555	BOLT M8X30
7.5	A064D640	CRANKCASE GASKET
7.6	A064D716	CRANKCASE LOCATING PIN
7.7	A064D585	BEARING
8	A064N152	METAL CLIP
9		RECOIL STARTER KIT ASSEMBLY
9.1	A064D249	RECOIL STARTER ASSEMBLY
9.1.1	A064D488	START PULLER
9.2	A064D545	BOLT M6X16
9.3	A064D818	RECOIL HANDLE COVER
9.4	A064D819	RECOIL HANDLE
10		IMPELLER KIT ASSEMBLY
10.1	A064D571	STARTER PULLEY COMPRESSION BOLT
10.2	A064D805	STARTER PULLEY
10.3	A064D806	IMPELLER
11		ROTOR KIT ASSEMBLY
11.1	A064D521	NUT M14
11.2	A064D832	ROTOR
12		STATOR KIT ASSEMBLY
12.1		BOLT M6X55
12.2	A071T596	STATOR
12.3	240904	CRANKCASE LOCATING PIN
13		TRIGGER KIT ASSEMBLY
13.1	A064D545	BOLT M6X16
13.2	A064D809	TRIGGER
14		WIND-LEAD-COVER KIT ASSEMBLY
14.1	A064D798	WIND-LEAD-COVER
14.2	A064D543	BOLT M6X12
15		UPPER WIND DEFLECTOR KIT ASSEMBLY
15.1	A064D797	UPPER WIND DEFLECTOR
15.2	A064D745	CRIMPING BLOCK
15.3	A064D543	BOLT M6X12
16		IGNITION COIL KIT ASSEMBLY
16.1	A064D548	BOLT M6*28
16.2	A071T590	IGNITION COIL
17	A064D807	TEMPERATURE SENSOR
18		CENTRIFUGAL FAN HOUSING KIT ASSEMBLY

EXPLODED VIEW

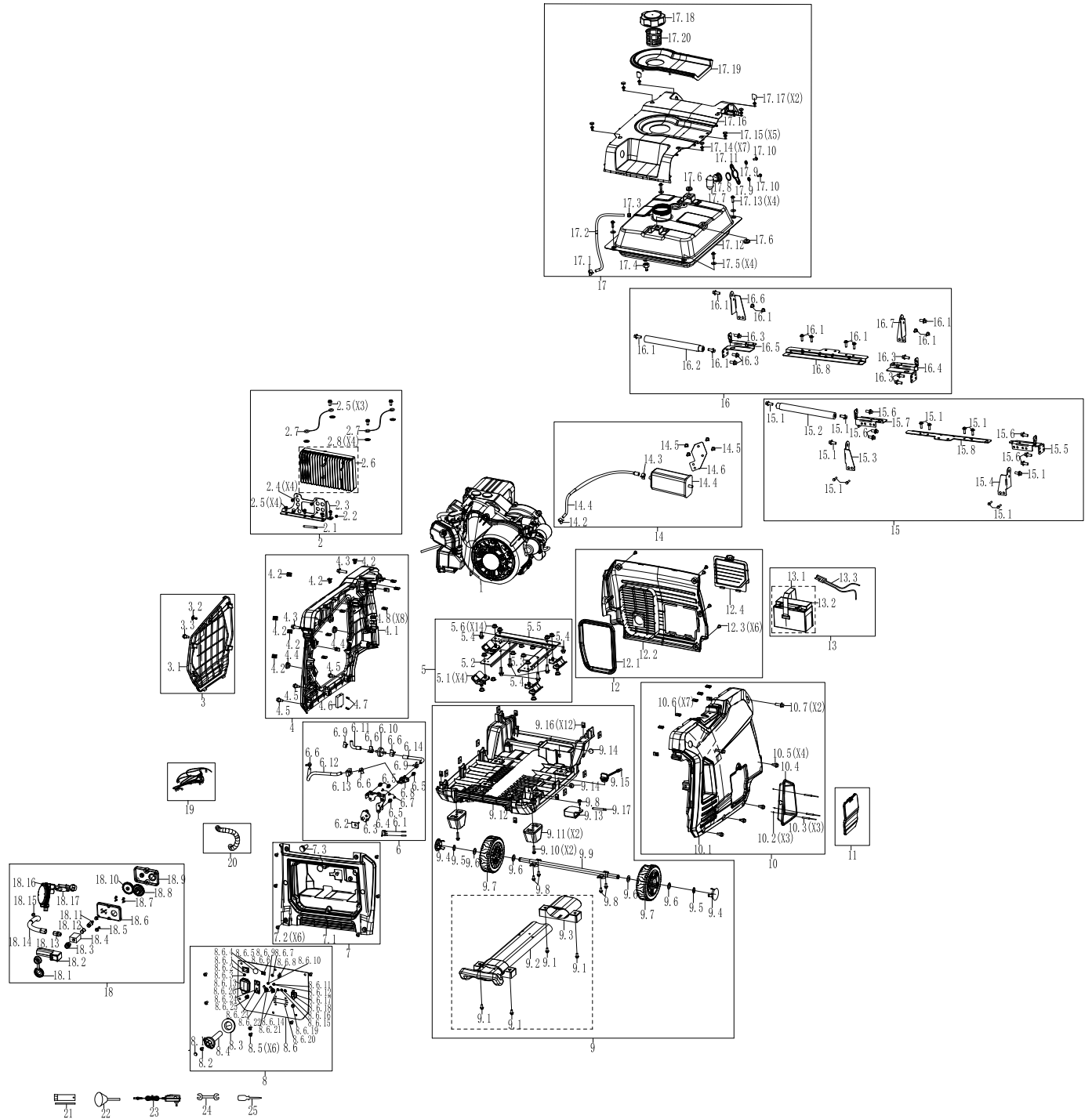
4-2022

ENGINE PARTS LIST (CONTINUED)

NO.	PART#	DESCRIPTION
18.1	A064D735	CENTRIFUGAL FAN HOUSING
18.2	A064D734	CENTRIFUGAL FAN PLUG
18.3	A064D553	BOLT M8*16
18.4	A064D736	IMPELLER
18.5	N/A	BOLT M8*1*25
18.6	A064D804	CENTRIFUGAL FAN COVER
18.7	A064D545	BOLT M6X16
18.8	A064D604	FLAT WASHER
19	EXHAUST MUFFLER KIT ASSEMBLY	
19.1	N/A	MUFFLER
19.1.1	A064D502	SPARK ARRESTER
19.2	A064D604	FLAT WASHER
19.3	A064D602	SPRING WASHER
19.4	A064D525	NUT M8
19.5	A064D543	BOLT M6X12
19.6	A064D825	MUFFLER COVER
19.7	A064D552	BOLT M8*12
20	A064D715	SHIELD
21	BRACKET KIT ASSEMBLY	
21.1	A064D543	BOLT M6X12
21.2	A064D746	BRACKET
22	AIR FILTER KIT ASSEMBLY	
22.1	A064D803	AIR FILTER ASSEMBLY
22.1.1	A064D489	AIR FILTER
22.2	A064D633	CONNECTING PIPE
22.3	A064D543	BOLT M6X12
23	CARBURETOR KIT ASSEMBLY	
23.1	A064D801	CARBURETOR CONNECTION BLOCK
23.2	N/A	SCREW M4X20
23.3	A064D529	NUT M6
23.4	A064D608	STEEL WASHER
23.5	A071T591	CARBURETOR ASSEMBLY
23.6	A064D748	STEPPER MOTOR BRACKET
23.7	A064D577	CROSS SCREW STUD M4X25
23.8	A058V032	STEPPER MOTOR
23.9	A064D751	STEPPER MOTOR
23.10	N/A	CROSS SCREW STUD M4X6
23.11	A064D749	WATERPROOF COVER
23.12	N/A	LOW PRESSURE HOSE
23.13	N/A	LOW PRESSURE HOSE HOOP
24	RESONANT CAVITY KIT ASSEMBLY	
24.1	A064D808	RESONANT CAVITY ASSEMBLY
24.1.1	A058V034	FOAM FILTER

NO.	PART#	DESCRIPTION
24.2	A064D747	PLUG
24.3	A064D630	BREATHER TUBE
24.4	A064D615	FUEL LINE CLAMP
24.5	A064D549	BOLT M6X30
24.6	A064D529	NUT M6
25	A058V025	SPARK PLUG

GENERATOR EXPLODED VIEW



EXPLODED VIEW

4-2022

GENERATOR PARTS LIST

NO.	PART#	DESCRIPTION
1	NA	ENGINE ASSEMBLY DHLG225
2		INVERTER KIT ASSEMBLY
2.1	A064N152	METAL CLIP
2.2	A064D529	NUT M6
2.3	A064N085	BRACKET
2.4	A064D541	BOLT M5x12
2.5	A064D543	BOLT M6X12
2.6	503763	INVERTER MODULE
2.7	A064D824	GROUNDING WIRE
2.8	A064D592	TOOTH WASHER
3		LEFT PANEL KIT ASSEMBLY
3.1	A071T570	LEFT PANEL
3.2	A064D580	BOLT M6X16
3.3	A058U984	SCREW M6X16
4		LEFT FRAME KIT ASSEMBLY
4.1	A071T569	LEFT FRAME
4.2	A064D826	CLIP
4.3	A064D543	BOLT M6*12
4.4	A064D814	FUEL TANK ISOLATOR A
4.5	A058U984	SCREW M6X16
4.6	A058U959	CONTROL MODULE
4.7	N/A	SCREW ST4.8*16
4.8	A064D826	CLIP M6
5		BRACKET KIT ASSEMBLY
5.1	A064N079	ISOLATOR
5.2	A064N076	BRACKET
5.3	A064N077	BRACKET
5.4	A064D556	BOLT M8X35
5.5	A064N078	BRACKET
5.6	A064D533	NUT M8
6		BRACKET KIT ASSEMBLY
6.1	N/A	GAS CONTROL LINE
6.2	A071T583	OIL SWITCH HOLDER
6.3	N/A	CABLE TRAY
6.4	A064N087	BRACKET
6.5	A064D543	BOLT M6X12
6.6	A064N098	FUEL HOSE CLIP $\Phi 9.5 \times 0.8$
6.7	N/A	SCREW M4*12
6.8	A064N109	FUEL SWITCH
6.9	A064D612	FUEL HOSE CLIP $\Phi 8.5$
6.10	A064N124	FILTER
6.11	N/A	FUEL PIPE $\Phi 4 \times \Phi 10 \times \Phi 6 \times \Phi 12-45L$
6.12	A064N181	FUEL PIPE $\Phi 4 \times \Phi 10-194L$
6.13	A064N103	CLIP
6.14	N/A	FUEL PIPE $\Phi 4 \times \Phi 10 \times \Phi 6 \times \Phi 12-89L$

NO.	PART#	DESCRIPTION
7		PANEL REAR COVER KIT ASSEMBLY
7.1	A071T573	CONTROL PANEL REAR COVER
7.2	A064D579	BOLT M6X16
7.3	A071T582	WIRE SLEEVE
8		PANEL KIT ASSEMBLY
8.1	A064D827	HANDLE PANEL PLUG
8.2	A064D576	SCREW M4X16
8.3	A064N114	KNOB PLUG
8.4	A071T579	KNOB
8.5	A058U965	SCREW & WASHER M5 X 12
8.6	A071T577	CONTROL PANEL ASSEMBLY
8.6.1	9272	ROCKER SWITCH
8.6.2	9227-31	31A THERMAL PROTECTOR
8.6.3	A064D511	WATERPROOF CAP
8.6.4	A058V065	ONE PUSH BUTTON SWITCH
8.6.5	A064D508	ECO SWITCH
8.6.6	A064D511	WATERPROOF CAP
8.6.7	A064D513	START INDICATOR
8.6.8	A064D507	CHARGING SOCKET 50VDC5A
8.6.9	9227-30	30A THERMAL PROTECTOR
8.6.10	A064D511	WATERPROOF CAP
8.6.11	9227-20	20A THERMAL PROTECTOR
8.6.12	A064D511	WATERPROOF CAP
8.6.13	A064D509	DUST COVER
8.6.14	N/A	RUNNING LIGHTS
8.6.15	N/A	FAULT WARMING LIGHT
8.6.16	N/A	OIL WARMING LIGHT
8.6.17	A064D519	USB
8.6.18	A064N111	USB DUST COVER
8.6.19	A064D505	VOLTAGE RESET SWITCH
8.6.20	A064D514	LED
8.6.21	A064D518	PARALLEL SOCKET 32A
8.6.22	A064D516	WATERPROOF CAP
8.6.23	6032	L5-20R RECEPTACLE
8.6.24	A064N075	DUST COVER
8.6.25	A064D517	GROUNDING BOLT
8.6.26	6015	RV SOCKET TT-30R

GENERATOR PARTS LIST (CONTINUED)

NO.	PART#	DESCRIPTION
9		BASEBOARD KIT ASSEMBLY
9.1	A064D550	BOLT M6X35
9.2	A064N099	PULL ROD
9.3	A064N097	PULL ROD SET
9.4	A064N096	WHEEL COVER
9.5	A064D840	WHEEL AXLE CLIP
9.6	A064D597	METAL WASHER
9.7	A064N095	WHEEL
9.8	A064D543	BOLT M6X12
9.9	A064N088	AXLE
9.10	A058V044	BOLT M6X25
9.11	A064N091	ISOLATOR
9.12	A071T576	BOTTOM PLATE
9.13	A058V060	DC VOLTAGE REGULATOR
9.14	A064N108	BLOCK
9.15	A064N107	BASE OIL CAP
9.16	A064D826	CLIP M6
9.17	A064N152	METAL CLIP
10		RIGHT FRAME KIT ASSEMBLY
10.1	A071T568	RIGHT FRAME
10.2	A064D609	FLAT WASHER
10.3	A064N070	BLIND RIVET $\phi 3 \times 15\text{mm}$
10.4	A064N184	HANDLE DECORATIVE BOARD
10.5	A058U984	SCREW M6X16
10.6	A064D826	CLIP M6
10.7	A064D543	BOLT M6*12
11	A071T570	OBSERVATION COVER
12		MUFFLER PANEL KIT ASSEMBLY
12.1	A064D829	MUFFLER SEALING GASKET
12.2	A071T572	MUFFLER COVER
12.3	A064D580	BOLT M6X16
12.4	A071T575	COVER
13		BATTERY KIT ASSEMBLY
13.1	A058V046	TIE WRAP
13.2	A058U961	BATTERY
13.3	A064N113	BATTERY CABLE
14		CARBON CANNISTER KIT ASSEMBLY
14.1	95016	CARBON CANISTER AND AIR FILTER CONNECTING PIPE
14.2	A064D613	FUEL HOSE CLIP $\phi 7.5$
14.3	A064D614	FUEL HOSE CLIP $\phi 11 \times 0.8$
14.4	A064N193	CARBON CANISTER ASSEMBLY
14.5	A064D543	BOLT M6X12
14.6	N/A	CARBON CANISTER SUPPORT
15		BRACKET KIT ASSEMBLY

NO.	PART#	DESCRIPTION
15.1	A064D543	BOLT M6X12
15.2	A071T580	HANDLE
15.3	503739	FRONT HANDLE LEFT BRACKET
15.4	503740	FRONT HANDLE RIGHT BRACKET
15.5	503746	RIGHT CONNECTION PLATE
15.6	A064D545	BOLT M6X16
15.7	503745	LEFT CONNECTION PLATE
15.8	503744	FUEL TANK CONNECT BRACKET
16		BRACKET KIT ASSEMBLY
16.1	A064D543	BOLT M6X12
16.2	503743	HANDLE
16.3	A064D545	BOLT M6X16
16.4	503746	RIGHT CONNECTION PLATE
16.5	503745	LEFT CONNECTION PLATE
16.6	503741	REAR HANDLE LEFT BRACKET
16.7	503742	REAR HANDLE RIGHT BRACKET
16.8	503744	FUEL TANK CONNECT BRACKET
17		FUEL TANK KIT ASSEMBLY
17.1	A064D619	FUEL HOSE CLIP $\phi 11 \times 0.8$
17.2	A064D626	CARBON CANISTER AND FUEL TANK CONNECTING PIPE
17.3	A064D613	FUEL HOSE CLIP $\phi 7.5$
17.4	503782	FUEL OUTLET
17.5	A064D655	FUEL TANK WASHER
17.6	A064D815	FUEL TANK ISOLATOR B
17.7	A064D834	GASOLINE SENSOR
17.8	A064D835	SEALING RING
17.9	A064D841	SEALING WASHER
17.10	A064D541	BOLT M5x12
17.11	A064D833	PRESS PLATE
17.12	503775	FUEL TANK
17.13	A064D559	BOLT M6X20
17.14	A064D579	BOLT M6X16
17.15	A064D827	HANDLE PANEL PLUG
17.16	A071T571	TOP COVER
17.17	A064N090	PLUG
17.18	A058V048	FUEL TANK CAP
17.19	A064N094	FUEL SLOT
17.20	A064N128	FILTER

EXPLODED VIEW

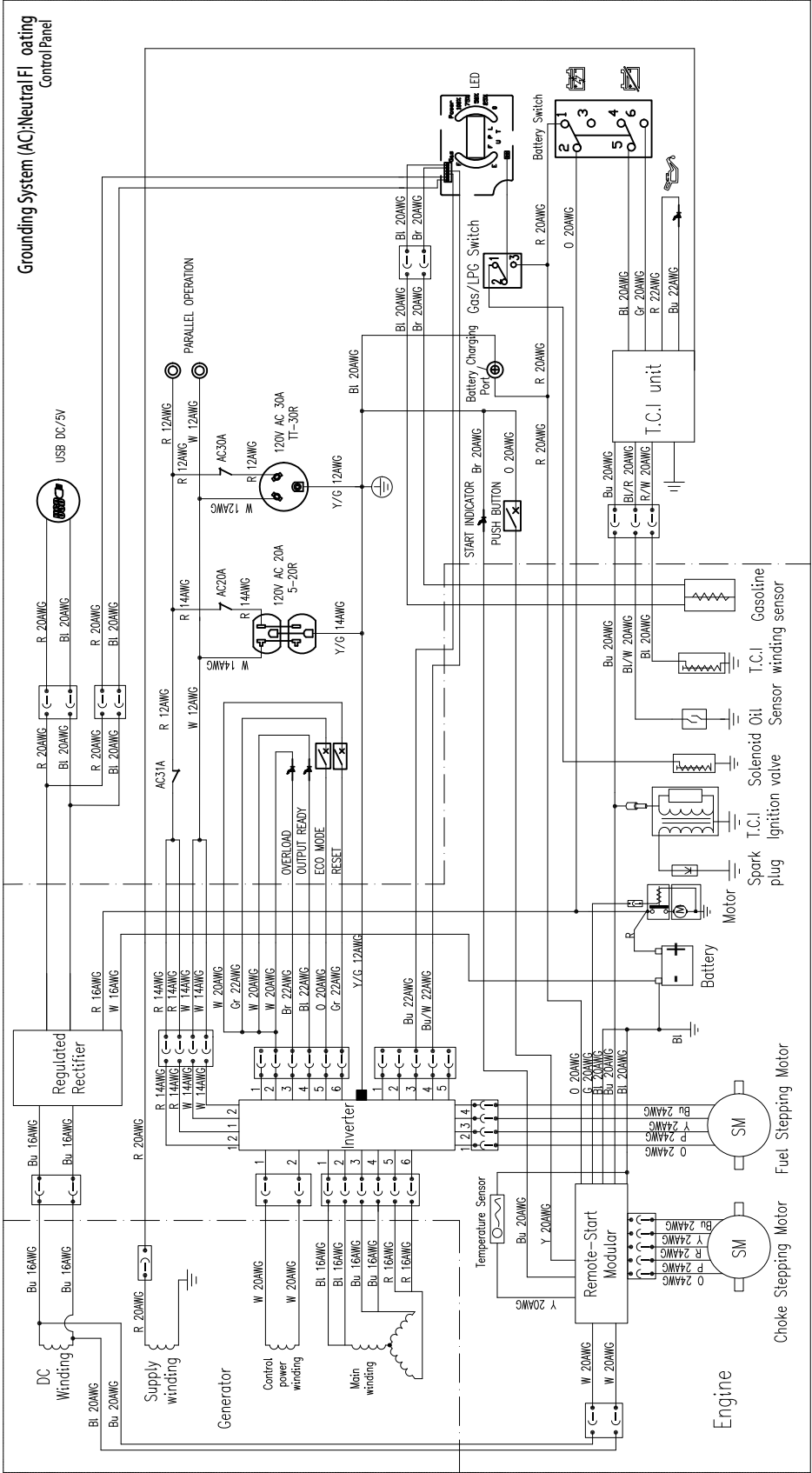
4-2022

GENERATOR PARTS LIST (CONTINUED)

NO.	PART#	DESCRIPTION
18		PRESSURE REDUCING VALVE KIT ASSEMBLY
18.1	503136	PLUG
18.2	503199	JACKET
18.3	A071T586	INTAKE CONNECTOR
18.4	A071T588	TEE
18.5	A064D546	BOLT M6*20
18.6	A071T581	LOWER LID
18.7	A064D574	SCREW M4*8
18.8	A071T595	GEAR
18.9	A071T589	UPPER COVER
18.10	A071T594	GEAR
18.11	A071T587	SWITCH AXIS
18.12	503130	O-RING
18.13	503127	OUTLET CONNECTOR
18.14	517907	LOW PRESSURE HOSE
18.15	A064D651	GASKET
18.16	50280014	PRESSURE REDUCING VALVE
18.17	A071T565	PRESSURE REDUCING VALVE
19	A071T578	DEPUTY WIRING HARNESS
20	N/A	HOSE
21	A066U010	SPARK PLUG SLEEVE
22	A066U044	FUNNEL
23	A064N122	CHARGER
24	A071T584	FIXED WRENCH
25	A066U009	DUAL - PURPOSE SCREWDRIVER

SCHEMATICS

SCHEMATICS



Bl	Black	Br	Brown	Y/G	Yellow green
R	Red	Br/R	Brown/red	R/Y	Red yellow
B	Blue	Gr	Gray	O	Orange
W	White	P	Pink	Bu/W	Blue/white
Y	Yellow	Bl/W	Black/white		

Onan P4500iDF Inverter Generador Inversor Digital

Gasolina: 3700 Vatios en Funcionamiento | 4500 Vatios de arranque
Propano: 3330 Vatios en Funcionamiento | 4050 Vatios de arranque

MANUAL DE USUARIO

TABLA DE CONTENIDO

INTRODUCCIÓN

DESCARGOS DE RESPONSABILIDAD	34
TODOS LOS DERECHOS RESERVADOS	34
GUARDA ESTAS INSTRUCCIONES.....	34
REGISTRACIÓN DEL PRODUCTO	34
ESPECIFICACIONES	35

LA SEGURIDAD

DEFINICIONES DE SEGURIDAD	36
SÍMBOLOS DE SEGURIDAD Y SIGNIFICADO	36
LAS INSTRUCCIONES DE SEGURIDAD	37
PRECAUCIONES GENERALES DE SEGURIDAD	37
GASOLINA Y VAPOR DE GASOLINA (GAS)	38
ETIQUETAS Y CALCOMANÍAS DE SEGURIDAD	39

COMPONENTES

COMPONENTES DEL PANEL DE CONTROL	40
COMPONENTES DEL GENERADOR	41
CENTRO DE DATOS LED	41

MONTAJE

CONTENIDO DE LA CAJA	42
LLENADO DE ACEITE INICIAL	42
COMBUSTIBLE	42
CONECTAR LA BATERÍA	44

OPERACIÓN

UBICACIÓN DEL GENERADOR	45
TOMA DE TIERRA	45
OPERACIÓN A GRAN ALTITUD.....	45
INICIO REMOTO.....	46
INTERRUPTOR DE LA VÁLVULA DE COMBUSTIBLE.....	46
PERÍODO DE RODAJE	46
FRECUENCIA DE USO	46
ANTES DE ARRANCAR EL GENERADOR.....	46
ARRANCAR EL MOTOR: GASOLINA	47
MODO ECO	47
SOBRECARGA RESTABLECER	47
CAPACIDAD DEL GENERADOR	48

GESTIÓN DE ENERGÍA.....	48
CABLES DE EXTENSIÓN	49
TAMAÑO DEL CABLE DE EXTENSIÓN.....	49
OPERACIÓN EN PARALELO.....	49
TRANSPORTE.....	50

MANTENIMIENTO

PROGRAMA DE MANTENIMIENTO	51
PIEZAS DE REPUESTO PARA MANTENIMIENTO	51
CUBIERTA DE SERVICIO DEL MOTOR	51
MANTENIMIENTO DEL FILTRO DE AIRE.....	51
COMPROBACIÓN DEL NIVEL DE ACEITE DEL MOTOR ...	52
CAMBIO DE ACEITE DEL MOTOR	53
MANTENIMIENTO DE BUJÍAS.....	53
SERVICIO DE APAGACHISPAS.....	54
MANTENIMIENTO DE LA BATERÍA.....	54
CAMBIO DE BATERÍA	54
ALMACENAMIENTO.....	55
ALMACENAMIENTO A CORTO PLAZO	55
DRENAJE DEL BOWL FLOTADOR.....	56
DRENAJE DEL TANQUE DE COMBUSTIBLE	56
JUEGO DE VÁLVULAS.....	56
CONFIGURAR MANUALMENTE EL ESTRANGULADOR....	57

SOLUCIÓN DE PROBLEMAS

SOLUCIÓN DE PROBLEMAS	58
-----------------------------	----

INTRODUCCIÓN

⚠ ADVERTENCIA: El funcionamiento, el servicio y el mantenimiento de este equipo pueden exponerlo a sustancias químicas, como gases de escape del motor, monóxido de carbono, ftalatos y plomo, que el estado de California reconoce como causantes de cáncer y defectos de nacimiento u otros daños reproductivos. Para minimizar la exposición, evite respirar el escape, realice el mantenimiento de su embarcación en un área bien ventilada y use guantes o lávese las manos con frecuencia cuando realice el mantenimiento de este equipo. Para obtener más información, visite www.P65warnings.ca.gov.

DESCARGOS DE RESPONSABILIDAD

Toda la información, ilustraciones y especificaciones de este manual estaban vigentes en el momento de su publicación. Las ilustraciones utilizadas en este manual están destinadas a ser vistas de referencia representativas únicamente. Nos reservamos el derecho de realizar cualquier cambio de especificación o diseño sin previo aviso.

TODOS LOS DERECHOS RESERVADOS

Todos los derechos reservados. No se permite la reproducción de ninguna forma sin el permiso por escrito de Cummins Inc.

⚠ ADVERTENCIA

	<p>Lea este manual antes de usar o realizar el mantenimiento de este producto. El incumplimiento de las instrucciones y precauciones de seguridad de este manual puede provocar lesiones graves o la muerte.</p>
---	--

GUARDA ESTAS INSTRUCCIONES

REGISTRACIÓN DEL PRODUCTO

Para garantizar una cobertura de garantía sin problemas, es importante que registre su generador Cummins. Puede registrar su producto en línea en: www.cummins.com/support/product-registration

Para su archivo

Fecha de compra: _____

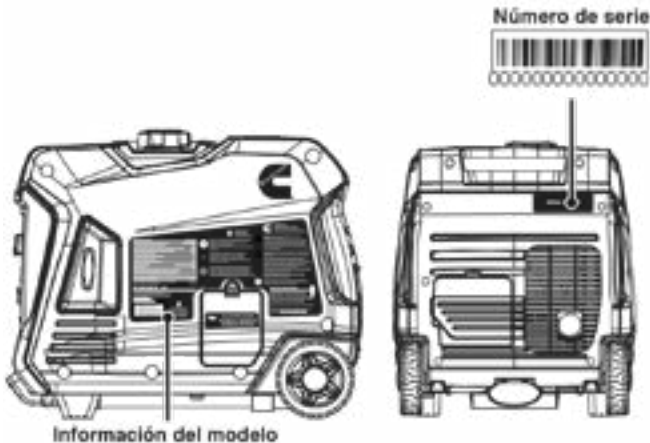
Número de modelo: _____

Número de serie: _____

Lugar de compra: _____

IMPORTANT: Conserve su recibo de compra para una cobertura de garantía sin problemas.

Para registrar su generador, deberá ubicar la siguiente información:



ESPECIFICACIONES

Vatios en funcionamiento:	3700 Gas/3330 LPG
Vatios de arranque:	4500 Gas/4050 LPG
Voltaje nominal:	120V
Frecuencia nominal:	60 Hz
Fase:	Fase única
Distorsión armónica total:	≤ 3%
Desplazamiento del motor:	224 cc
Tipo de inicio:	Retroceso, arranque eléctrico, control remoto
Capacidad de combustible:	3.4 Gal (12.8 L)
Tipo de combustible:	87–93 octane*
Capacidad de aceite:	0.63 US qt (0.60 L)
Tipo de aceite:	10W30
Bujía:	F7RTC
Espacio de la bujía:	0.024 – 0.032 in. (0.60 – 0.80 mm)
Toma de válvula Despeje:	0.0031 – 0.0047 in. (0.08 – 0.12 mm)
Válvula de escape Despeje:	0.0051 – 0.0067 in. (0.13 – 0.17 mm)
Sistema de puesta a tierra de CA:	Flotante neutral
Regulador de voltaje:	Digital
Tipo de alternador:	Imán permanente
Temperatura ambiente máxima:	104°F (40°C)
Certificaciones:	<ul style="list-style-type: none"> • EPA • CARB • CSA Group

AVISO

Este producto está diseñado y clasificado para un funcionamiento continuo a temperaturas ambiente de hasta 104 ° F (40 ° C). Si es necesario, este producto se puede utilizar a temperaturas que oscilan entre 5 ° F (-15 ° C) y 122 ° F (50 ° C) durante períodos cortos. Si el producto se expone a temperaturas fuera de este rango durante el almacenamiento, debe volver a colocarse dentro de este rango antes de su funcionamiento. Este producto siempre debe utilizarse al aire libre en un área bien ventilada y lejos de puertas, ventanas y otros conductos de ventilación.

El vataje y la corriente máximos están sujetos y limitados por factores como el contenido de BTU de combustible, la temperatura ambiente, la altitud, las condiciones del motor, etc. La potencia máxima disminuye aproximadamente un 3.5% por cada 1,000 pies sobre el nivel del mar, y también disminuirá aproximadamente un 1% por cada 10 ° F (6 ° C) por encima de 60 ° F (16 ° C) de temperatura ambiente.

* Contenido de etanol del 10% o menos. NO use E15 o E85.

LA SEGURIDAD

DEFINICIONES DE SEGURIDAD

Las palabras PELIGRO, ADVERTENCIA, PRECAUCIÓN y AVISO se utilizan en este manual para resaltar información importante. Asegúrese de que todos los que operan, realizan mantenimiento o se encuentran cerca del generador conozcan el significado de esta información de seguridad.



Aparece este símbolo de alerta de seguridad con la mayoría de las declaraciones de seguridad. Eso significa atención, mantente alerta, tu la seguridad está involucrada! Por favor lea y Cumplir con el mensaje que sigue el símbolo de alertas de seguridad.

▲ PELIGRO

Indica una situación peligrosa que, si no se evita, provocará la muerte o lesiones graves.

▲ ADVERTENCIA

Indica una situación peligrosa que, si no se evita, podría provocar la muerte o lesiones graves.

▲ PRECAUCIÓN

Indica una situación peligrosa que, si no se evita, podría provocar lesiones leves o moderadas.

AVISO

Indica una situación que puede causar daños al generador, propiedad personal y / o el medio ambiente, o hacer que el equipo funcione incorrectamente.

Nota: Indica un procedimiento, práctica o condición que se debe seguir para que el generador funcione de la manera prevista.

SÍMBOLOS DE SEGURIDAD Y SIGNIFICADO

Siga toda la información de seguridad contenida en este manual y en el generador.

Símbolo	Descripción
	Símbolo de alerta de seguridad
	Riesgo de electrocución
	Peligro de asfixia
	Peligro de quemaduras. No toque superficies calientes.
	Peligro de descarga eléctrica
	Peligro de incendio
	Mantenga una distancia segura
	Peligro de levantamiento
	Leer las instrucciones del fabricante
	No operar en condiciones de humedad

▲ PELIGRO

Riesgo de incendio y electrocución. No lo conecte al sistema eléctrico de un edificio a menos que el generador y el interruptor de transferencia se hayan instalado correctamente y la salida eléctrica haya sido verificada por un electricista calificado. La conexión debe aislar la energía del generador de la energía de la red pública y debe cumplir con todas las leyes y códigos eléctricos aplicables.

▲ PELIGRO

Riesgo de electrocución. Nunca use el generador en un lugar mojado o húmedo. Nunca esponga el generador a la lluvia, nieve, rocío de agua o agua estancada mientras esté en uso. Proteja el generador de todas las condiciones climáticas peligrosas. La humedad o el hielo pueden provocar un cortocircuito u otro mal funcionamiento en el circuito eléctrico.

LAS INSTRUCCIONES DE SEGURIDAD

USO CORRECTO

- Ejemplo de ubicación para reducir el riesgo de intoxicación por monóxido de carbono.
- Úselo ÚNICAMENTE en exteriores y a favor del viento.
 - Lejos de ventanas, puertas y conductos de ventilación.
 - Dirija el escape lejos de los espacios ocupados.



USO INCORRECTO

- No opere en ninguno de los siguientes lugares:
- Cerca de cualquier puerta, ventana o ventilación
 - Garaje
 - Sótano
 - Espacio de rastreo
 - Salón
 - Ático
 - Camino de entrada
 - Porche
 - Vestíbulo



AVISO

Instale detectores de monóxido de carbono a batería o detectores de monóxido de carbono enchufables con respaldo de batería en las áreas habitables.

⚠ PELIGRO

Usar un generador en interiores PUEDE MATARLO EN MINUTOS. El escape del generador contiene monóxido de carbono. Este es un veneno que no se puede ver ni oler.



NUNCA lo use dentro de una casa o garaje, AUNQUE las puertas y ventanas estén abiertas.



Úselo solo EN EXTERIORES y lejos de ventanas, puertas y conductos de ventilación.

PRECAUCIONES GENERALES DE SEGURIDAD

- Nunca use el generador para alimentar equipos de apoyo médico.
- No opere el generador cuando esté cansado o bajo la influencia de drogas, alcohol o medicamentos.
- No use el generador con cables eléctricos gastados, deshilachados, desnudos o dañados.
- Todas las herramientas y artefactos eléctricos operados con este generador deben estar debidamente conectados a tierra mediante el uso de un tercer cable o tener doble aislamiento.
- Cuando este generador se utiliza para suministrar un sistema de cableado de un edificio, un electricista calificado debe instalar el generador y conectarlo a un interruptor de transferencia como un sistema derivado por separado de acuerdo con NFPA 70, Código Eléctrico Nacional.
- Si comienza a sentirse enfermo, mareado o débil mientras usa el generador, muévase al aire fresco INMEDIATAMENTE. Consulte a un médico, ya que puede sufrir una intoxicación por monóxido de carbono.

- Úselo solo EN EXTERIORES y lejos de ventanas, puertas y conductos de ventilación según lo recomendado por los Centros para el Control y la Prevención de Enfermedades del Departamento de Salud y Servicios Humanos de EE. UU. Su casa específica y / o las condiciones del viento pueden requerir una distancia adicional.
- Durante la operación y almacenamiento, mantenga al menos 5 pies de espacio libre en todos los lados del generador, incluido el techo. Deje que el generador se enfríe un mínimo de 30 minutos antes de almacenarlo. El calor creado por el silenciador y los gases de escape puede ser lo suficientemente caliente como para causar quemaduras graves y / o encender objetos combustibles.
- No toque el silenciador ni el motor. Están muy CALIENTES y causarán quemaduras graves. No coloque partes del cuerpo ni ningún material inflamable o combustible en el camino directo del escape.
- Siempre retire cualquier herramienta u otro equipo de servicio utilizado durante el mantenimiento lejos del generador antes de operar.
- Evite el contacto de la piel con aceite de motor o gasolina. Use ropa y equipo de protección. Lave toda la piel expuesta con agua y jabón.

SEGURIDAD DEL COMBUSTIBLE

- Almacene el combustible en un recipiente aprobado para gasolina.
- No fume al llenar el generador con gasolina.
- No permita que el tanque de gasolina del generador se desborde al llenarlo.
- Apague el motor y déjelo enfriar durante cinco minutos antes de agregar gasolina o aceite al generador.
- Nunca quite la tapa de combustible cuando el generador esté funcionando. Apague el motor y deje que la unidad se enfríe por lo menos cinco minutos. Retire la tapa de combustible lentamente para liberar la presión, evitar que el combustible se escape por la tapa y evitar que el calor del silenciador encienda los vapores de combustible. Apriete bien la tapa de combustible después de repostar.
- Limpie el combustible derramado de la unidad.
- Nunca intente quemar el combustible derramado.
- Nunca llene demasiado el tanque de combustible. Deje espacio para que el combustible se expanda. El llenado excesivo del tanque de combustible puede provocar un desbordamiento repentino de gasolina y provocar que la gasolina derramada entre en contacto con superficies CALIENTES.
- El combustible derramado puede arder. Si se derrama combustible sobre el generador, limpie

cualquier derrame inmediatamente. Deseche el trapo correctamente. Deje que el área de combustible derramado se seque antes de operar el generador.

- Use protección para los ojos mientras reposta.
- Nunca use gasolina como agente de limpieza.
- Almacene cualquier recipiente que contenga gasolina en un área bien ventilada, lejos de cualquier combustible o fuente de ignición.

GASOLINA Y VAPOR DE GASOLINA (GAS)

PELIGRO

Riesgo de incendio y explosión. La gasolina es altamente explosiva e inflamable y puede causar quemaduras graves o la muerte.

- En caso de un incendio de gas, no intente apagar la llama si la válvula de combustible está en la posición de gas. La introducción de un extintor en un generador con una válvula de combustible abierta podría crear un peligro de explosión. El gas tiene un olor distintivo, esto ayudará a detectar posibles fugas rápidamente.
- Los vapores de gas pueden provocar un incendio si se encienden.
- La gasolina irrita la piel y debe limpiarse inmediatamente si entra en contacto con la piel.

Al arrancar el generador:

- Asegúrese de que la tapa de combustible, el filtro de aire, la bujía, las líneas de combustible y el sistema de escape estén colocados correctamente.
- Si derrama gasolina en el tanque, deje que se evapore completamente antes de operar.
- Asegúrese de que el generador esté sobre una superficie plana antes de operar.

Al transportar o reparar el generador:

- Desconecte el cable de la bujía para evitar un arranque accidental.

Al almacenar el generador:

- Almacene lejos de chispas, llamas abiertas, luces piloto, calor y otras fuentes de ignición.
- No almacene gas cerca de hornos, calentadores de agua o cualquier otro aparato que produzca calor o tenga encendido automático.

GAS LICUADO DE PETRÓLEO (GLP / PROPANO)

⚠️ ADVERTENCIA

Riesgo de incendio y explosión. Nunca use un contenedor de gas, manguera de conexión de GLP / propano, tanque de GLP / propano o cualquier otro elemento de combustible que parezca estar dañado.

⚠️ PRECAUCIÓN

Riesgo de incendio y explosión. Utilice únicamente tanques aprobados de GLP / propano con una válvula de dispositivo de prevención de sobrellenado (OPD). Mantenga siempre el tanque en posición vertical con la válvula en la parte superior y colocada a nivel del suelo sobre una superficie plana. No permita que los tanques estén cerca de ninguna fuente de calor. Al transportar y almacenar, gire la válvula del tanque de propano a la posición completamente cerrada y desconecte el tanque. Asegúrese de cubrir siempre la entrada del generador y la salida del tanque con tapas protectoras de plástico.

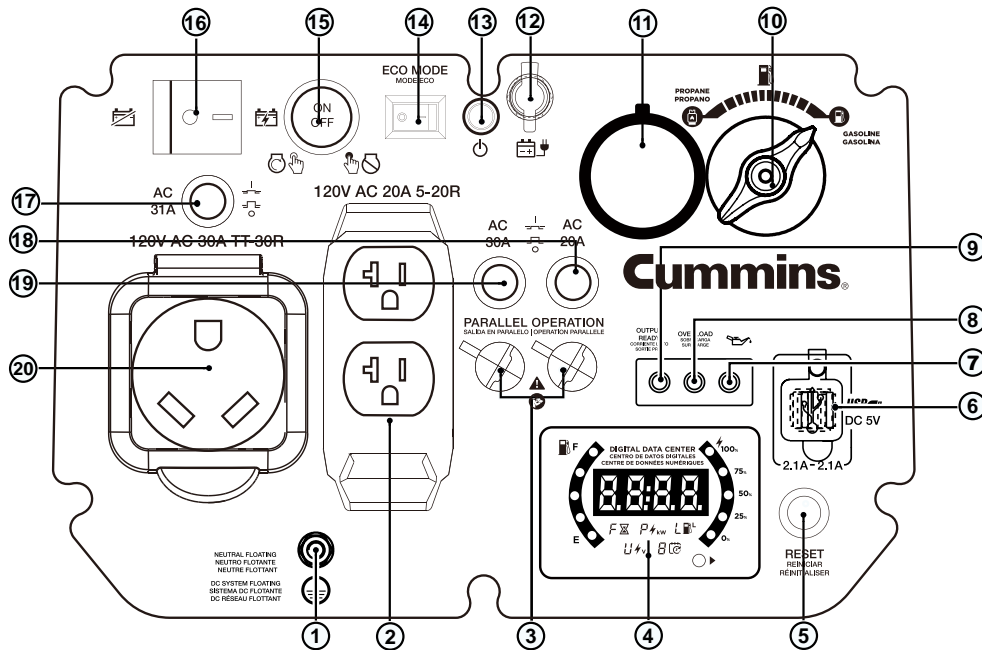
- El GLP / propano es altamente inflamable y explosivo.
- El gas inflamable a presión puede provocar un incendio o una explosión si se enciende.
- El GLP / propano puede asentarse en lugares bajos porque es más pesado que el aire.
- El GLP / propano tiene un olor distintivo agregado para ayudar a detectar posibles fugas.
- Mantenga siempre un tanque de GLP / propano en posición vertical.
- Al intercambiar tanques de GLP / propano, asegúrese de que la válvula del tanque sea del mismo tipo.
- En caso de un incendio de GLP / propano, no intente apagarlo a menos que el suministro de combustible se pueda cortar de manera segura.
- El GLP / propano quemará la piel. Evite el contacto con la piel en todo momento.
- Mantenga el tanque de propano alejado del escape del generador.
- Los tanques grandes (500-1000 galones) de GLP / propano requerirán que un plomero certificado instale la línea de combustible al generador y no se use el regulador suelto (el regulador que está conectado al tanque de combustible). La presión medida en el regulador montado en el generador debe ser de 7 "a 14" de columna de agua. Un plomero certificado debe asegurarse de que la presión sea correcta o instalar un regulador reductor si es necesario.

⚠️ ADVERTENCIA

Riesgo de incendio y explosión. Si hay un olor fuerte a propano mientras opera el generador, cierre completamente la válvula del tanque de GLP / propano inmediatamente. Una vez que el propano esté apagado, use agua con jabón para verificar si hay fugas en la manguera y las conexiones en la válvula del tanque y el generador. No fume ni encienda un cigarrillo ni compruebe si hay fugas utilizando una fuente de llama abierta como un fósforo o un encendedor. Si encuentra una fuga, comuníquese con un técnico calificado para que inspeccione y repare el sistema de GLP / propano antes de usar el generador.

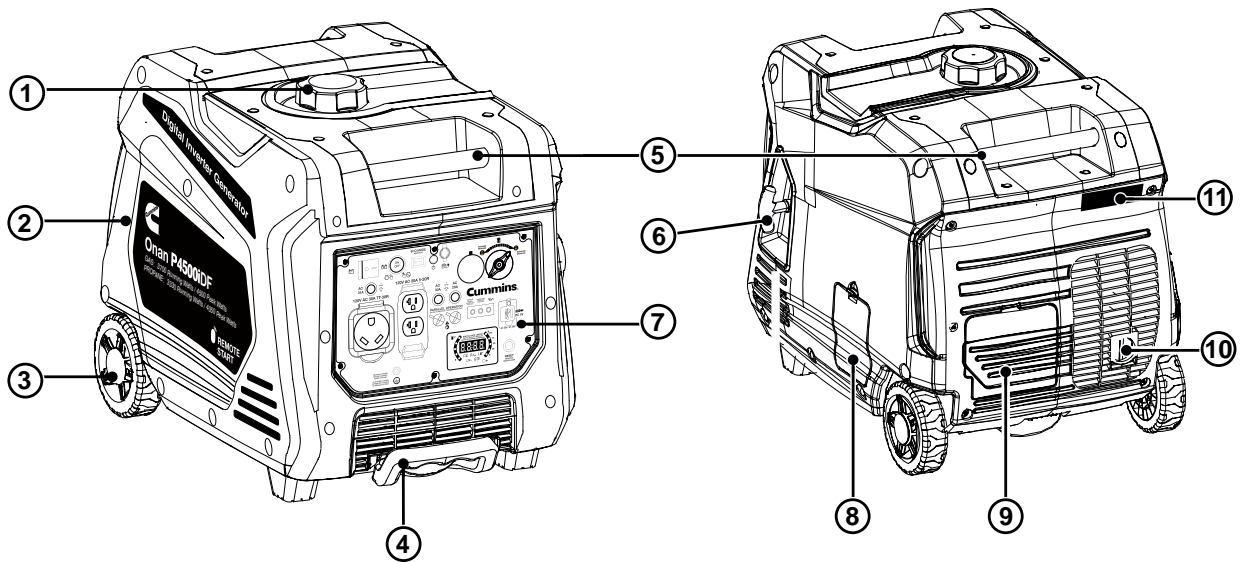
COMPONENTES

COMPONENTES DEL PANEL DE CONTROL



- Receptáculo NEMA 5-20R dúplex de 120 voltios CA, 20 amperios:** El receptáculo puede suministrar un máximo de 20 amperios.
- Terminal de tierra:** El terminal de tierra se utiliza para conectar a tierra externamente el generador.
- Salidas de funcionamiento en paralelo:** Se utilizan con el kit en paralelo Cummins 50A (se vende por separado). Combinelo con un inversor Cummins compatible (se vende por separado) para lograr una salida de 50 A. Ideal para aplicaciones de RV.
- Centro de datos LED:** Muestra el tiempo de funcionamiento restante (F), la potencia de salida en kW (P), el nivel de combustible en litros (L), la salida de voltaje (V) y las horas de vida útil.
- Restablecimiento de sobrecarga:** El inversor del generador apagará automáticamente todas las salidas de CA para proteger el generador si se sobrecarga o si hay un cortocircuito en un aparato conectado.
- Puertos USB:** Salida USB de dos puertos 5V / 2.1A. Acepta enchufes USB tipo A.
- LED de aceite bajo:** Indica un nivel de aceite bajo. Cuando el nivel de aceite en el cárter cae por debajo del límite de funcionamiento seguro, el indicador de nivel de aceite bajo se iluminará y el generador apagará automáticamente el motor.
- LED de sobrecarga:** Indica que el generador está sobrecargado.
- LED de salida lista:** Se ilumina cuando el generador está funcionando normalmente. Indica que el generador está produciendo energía eléctrica en los receptáculos.
- Interruptor selector de combustible:** Se utiliza para seleccionar la operación de gas o propano.
- Entrada de LPG / propano:** Conecta un tanque de propano con la manguera de LPG / propano incluida.
- Puerto de carga de la batería:** Se utiliza para cargar la batería con el cargador de batería incluido.
- Indicador de energía:** Indica que la energía está encendida, la luz permanecerá encendida mientras la unidad esté encendida.
- Modo Eco:** El modo Eco minimiza el consumo de combustible y el ruido ajustando las RPM del motor al mínimo requerido para la carga actual.
- Botón de arranque / parada:** Presione una vez para arrancar el motor automáticamente. Presione nuevamente para detener el motor.
- Interruptor de batería:** Enciende y apaga la batería. Debe estar ENCENDIDO antes del arranque eléctrico o remoto.
- Disyuntor principal:** El disyuntor principal controla la salida total de todas las salidas para proteger al generador de sobrecargas o cortocircuitos.
- Disyuntor de CA de 20 amperios:** El disyuntor limita la corriente que se puede suministrar a través del receptáculo NEMA 5-20R a 20 amperios.
- Disyuntor de 30 amperios de CA:** El disyuntor limita la corriente que se puede suministrar a través del receptáculo NEMA TT-30 a 30 amperios.
- Receptáculo NEMA TT-30R de 120 voltios CA, 30 amperios:** El receptáculo puede suministrar un máximo de 30 amperios.

COMPONENTES DEL GENERADOR



- 1. Tapa de combustible:** Agregue aquí combustible sin plomo.
- 2. Cubierta de servicio del motor:** La cubierta proporciona acceso al motor, filtro de aire, carburador y bujía.
- 3. Ruedas de transporte:** Las ruedas permiten la maniobrabilidad con una sola mano cuando se utilizan con el asa extensible.
- 4. Mango extensible:** Extienda y retraiga el mango presionando el botón de bloqueo.
- 5. Asas de transporte:** Las asas integradas permiten un transporte fácil para dos personas.
- 6. Mango de retroceso:** Tire del mango de retroceso para arrancar manualmente el motor.
- 7. Panel de control:** El panel de control contiene las salidas y los controles operativos.
- 8. Cubierta de acceso al aceite:** La cubierta proporciona acceso a la tapa de llenado de aceite / varilla de medición y al tapón de drenaje de aceite.
- 9. Cubierta de acceso a la batería:** La cubierta brinda acceso a la batería y al enchufe de conexión rápida.
- 10. Silenciador y parachispas:** El parachispas evita que las chispas salgan del silenciador.
- 11. Etiqueta de información del modelo:** Proporciona el número de serie del modelo, voltaje / amperios e información sobre la clasificación de potencia.

CENTRO DE DATOS LED

Los LED de combustible restante y de porcentaje de potencia de salida se muestran continuamente. Presione el botón Mode para recorrer los modos de visualización de datos.

Visualización de datos

% Combustible restante

% Salida de potencia

Botón de modo

Tiempo de ejecución restante:
Muestra el tiempo restante con el nivel de combustible actual y la potencia de salida.

Potencia de salida:
Muestra la potencia eléctrica de salida a los receptáculos en kilovatios.

Nivel de combustible:
Muestra el nivel de combustible actual en litros.

Voltaje:
muestra la salida de voltaje actual del inversor.

Horas de vida útil:
Muestra el tiempo total de funcionamiento del inversor.

MONTAJE

CONTENIDO DE LA CAJA

⚠ PRECAUCIÓN

Peligro de peso. Siempre tenga ayuda cuando levante el generador.

1. Abra la caja con cuidado.
2. Retire y guarde el manual de instrucciones, la botella de aceite, el embudo de aceite, la manguera de GLP / propano, la llave de tubo de bujía y el cargador de batería.
3. Retire y deseche los materiales de embalaje.
4. Despliegue la parte superior de la bolsa de plástico que encierra el generador.
5. Corte con cuidado las esquinas verticales de la caja para acceder al generador.
6. Recicle o deseche los materiales de embalaje correctamente.

CONTENIDO DE LA CAJA

- Manual de usuario
- Guía de inicio rápido / Programa de mantenimiento
- Manguera de GLP / propano con regulador
- Llavero de arranque remoto (adjunto al arrancador de retroceso)
- Botella de 0.63 cuartos de galón (0.6 litros) de aceite SAE 10W-30
- Cargador de batería
- Llave de tubo para bujías
- Embudo de aceite

LLENADO DE ACEITE INICIAL

AVISO

ESTE GENERADOR SE HA ENVIADO SIN ACEITE. No intente arrancar o arrancar el motor antes de que haya recibido el servicio adecuado con el aceite recomendado. No agregar aceite de motor antes de arrancar resultará en daños graves al motor.

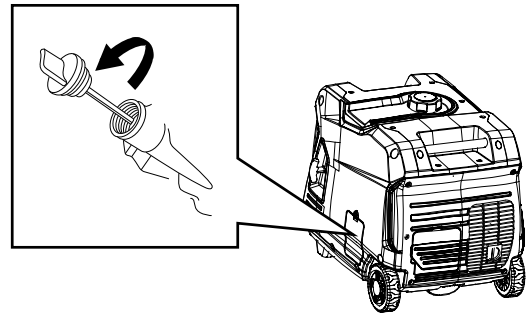
AVISO

El uso de aceite de 2 tiempos / ciclo u otros tipos de aceite no aprobados puede causar daños graves al motor que no están cubiertos por la garantía.

El tipo de aceite recomendado incluido para uso típico es aceite de motor 10W-30. Si hace funcionar el generador en temperaturas extremas, consulte la siguiente tabla.

Tipo de aceite de motor recomendado								
		10W-30						
	5W-30						10W-40	
	5W-30 Synthetic							
*F	-20	0	20	40	60	80	100	120
*C	-28.9	-17.8	-6.7	4.4	15.6	26.7	37.8	48.9
	Temperatura ambiente							

1. En una superficie nivelada, retire la cubierta de acceso al aceite y la varilla medidora de aceite.



2. Usando el embudo y el aceite suministrados, agregue aceite en el motor.

Nota: Como el aceite residual de la fábrica puede permanecer en el motor, agregue el aceite gradualmente cerca del final de la botella para evitar sobrellenar el motor. Consulte Comprobación del nivel de aceite del motor en la sección Mantenimiento.

3. Reemplace la varilla medidora de aceite y apriete a mano.
4. Reemplace la tapa de acceso al aceite.

COMBUSTIBLE

⚠ ADVERTENCIA

Riesgo de incendio y explosión. Nunca use un recipiente de gasolina, tanque de gasolina o cualquier otro elemento de combustible que esté roto, cortado, rasgado o dañado.

⚠ PELIGRO

Riesgo de incendio y explosión. No llene demasiado el tanque de combustible. Llene solo hasta el anillo de llenado rojo ubicado en el filtro de malla de combustible en el tanque. El sobrellenado puede hacer que el combustible se derrame sobre el motor y cause un riesgo de incendio o explosión.

▲ PELIGRO

Riesgo de incendio y explosión. Nunca reposte el generador con el motor en marcha. Siempre apague el motor y deje que el generador se enfríe durante dos minutos antes de repostar.

AVISO

No utilice combustible E15 o E85 en este producto. La garantía no cubre los daños al motor o al equipo causados por combustible viejo o el uso de combustibles no aprobados (como mezclas de etanol E15 o E85). Utilice únicamente gasolina sin plomo que contenga hasta un 10% de etanol.

REQUISITOS DE COMBUSTIBLE

- Gasolina sin plomo, fresca y magra, de 87 a 93 octanos.
- Se acepta hasta un 10% de etanol (gasohol) (cuando esté disponible; se recomienda combustible sin etanol).
- NO use E85 o E15.
- NO use una mezcla de gasóleo.
- NO modifique el motor para que funcione con combustibles alternativos.
- NO cargue combustible en interiores.
- NO cree una chispa o llama mientras reposta.

USANDO ESTABILIZADOR DE COMBUSTIBLE

Agregar un estabilizador de combustible (no incluido) extiende la vida útil del combustible y ayuda a prevenir la formación de depósitos que pueden obstruir el sistema de combustible. Siga las instrucciones de uso del fabricante.

Siempre mezcle la cantidad correcta de estabilizador de combustible con gasolina en un recipiente de gasolina aprobado antes de cargar combustible al generador. Haga funcionar el generador durante cinco minutos para permitir que el estabilizador trate todo el sistema de combustible.

LLENADO DEL TANQUE DE COMBUSTIBLE

1. Apague el generador y deje que se enfríe durante un mínimo de dos minutos antes de cargar combustible.
2. Coloque el generador en un terreno nivelado en un área bien ventilada.
3. Limpie el área alrededor de la tapa de combustible y retire la tapa lentamente.

AVISO

Llene el tanque únicamente con un recipiente de gasolina aprobado. Asegúrese de que el recipiente de gasolina esté limpio por dentro y en buenas condiciones para evitar la contaminación del sistema de combustible.

Agregue lentamente el combustible recomendado. No llene demasiado. Llene solo hasta el anillo de llenado máximo rojo en el filtro de malla de combustible visible en el cuello de llenado.



4. Instale la tapa de combustible. Apriete hasta que se escuche un clic.

AVISO

El combustible puede dañar la pintura y el plástico. Tenga cuidado al llenar el tanque de combustible. Los daños causados por el combustible derramado no están cubiertos por la garantía.

AVISO

Limpie los residuos del filtro de malla de combustible antes y después de cada repostaje. Quite el filtro de malla de combustible comprimiéndolo ligeramente mientras lo saca del tanque de combustible.

CONEXIÓN DE UN TANQUE DE GLP / PROPANO**AVISO**

- El tanque de GLP / propano puede tener cualquier capacidad, pero el tanque debe cumplir con la norma que se indica en la sección Seguridad del combustible.
- Los tanques de propano que utilizan un sistema de extracción de líquido no se pueden utilizar en estos modelos.
- Verifique que la fecha de recalificación en el tanque no haya vencido.
- No use la manguera de GLP / propano incluida para ningún otro aparato.

AVISO

- Todos los tanques nuevos deben purgarse de aire y humedad antes de llenarlos. Los tanques usados que no hayan sido tapados o mantenidos cerrados también deben purgarse. El proceso de purga debe ser realizado por un proveedor de propano (los tanques de un proveedor de intercambio deben haber sido purgados y llenados correctamente).
- Siempre coloque el tanque de manera que la conexión entre la válvula y la entrada de gas no cause dobleces o torceduras en la manguera.

⚠ ADVERTENCIA

Peligro de explosión. No encienda el generador si huele a GLP. Siempre cierre completamente la válvula del tanque de propano y desconecte la manguera de GLP / propano del generador cuando no esté en uso.

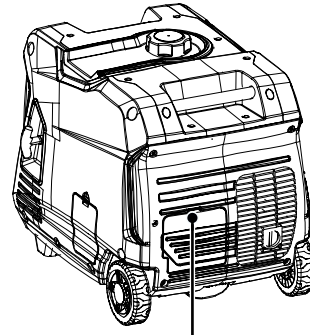
1. Apague el generador y colóquelo sobre una superficie plana en un área bien ventilada.
2. Verifique que la válvula del tanque de propano esté en la posición completamente cerrada.
3. Quite la tapa de la válvula de entrada de propano del generador.
4. Use sus dedos para enroscar a mano la manguera de GLP / propano (incluida) en la entrada de propano del generador.

IMPORTANT: NO use cinta selladora de roscas ni ningún otro tipo de sellador para sellar la conexión de la manguera de GLP / propano.

5. Apriete el conector de la manguera de GLP / propano al generador con una llave de 19 mm o ajustable. NO apriete demasiado. **Torque: 5-10 lb-ft.**
6. Retire el tapón de seguridad o la tapa de la válvula del tanque de propano.
7. Conecte el otro extremo de la manguera al conector LPG / propano en el tanque y apriete a mano.
8. Gire la válvula del tanque de propano a la posición completamente abierta. Revise todas las conexiones en busca de fugas humedeciendo los accesorios con una solución de agua y jabón. Las burbujas que aparecen o las burbujas que crecen indican que existe una fuga. Si existe una fuga en un accesorio, gire la válvula del tanque de propano a la posición completamente cerrada y apriete el accesorio. Vuelva a abrir la válvula y vuelva a comprobar la conexión con la solución de agua y jabón. Si la fuga continúa o si la fuga no está en un accesorio, no use el generador y comuníquese con el servicio al cliente.

CONECTAR LA BATERÍA

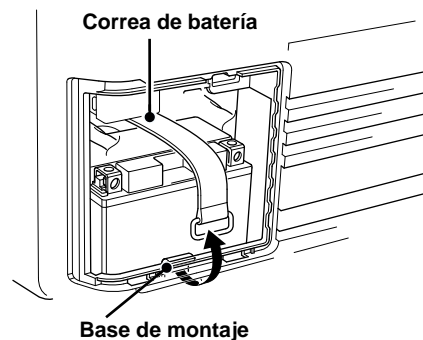
1. Empuje hacia abajo la pestaña de la tapa de acceso a la batería y tire de la tapa hacia adelante para quitarla.



Acceso a la batería
Pestaña de cubierta

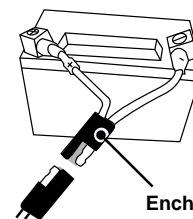
2. Verifique que la correa de goma de la batería esté asegurando firmemente la batería en su lugar. Si está suelta, tire de la correa y engánchela en la base de montaje.

Nota: Si la correa está suelta detrás de la batería, retire la batería, vuelva a conectar la correa, reemplace la batería y luego pase la correa debajo de los cables de conexión rápida de la batería.



Base de montaje

3. Un enchufe de batería de conexión rápida está preinstalado en el batería. Retire la brida que sujeta los enchufes y luego presione firmemente para conectarlos.



Enchufe de conexión rápida

4. Alinee las pestañas en la parte inferior de la tapa de acceso a la batería con la caja del generador y luego presione para reinstalar la cubierta.

Nota: El generador está equipado con una función de carga de batería. Una vez que el motor está funcionando, una pequeña carga recargará lentamente la batería.


OPERACIÓN

UBICACIÓN DEL GENERADOR

Lea y comprenda toda la información de seguridad antes de encender el generador.

⚠ PELIGRO

Usar un generador en interiores PUEDE MATARLO EN MINUTOS. El escape del generador contiene monóxido de carbono. Este es un veneno que no se puede ver ni oler.

 <p>NUNCA lo use dentro de una casa o garaje, AUNQUE las puertas y ventanas estén abiertas.</p>	 <p>Úselo solo EN EXTERIORES y lejos de ventanas, puertas y conductos de ventilación.</p>
--	--

NUNCA opere el generador dentro de un edificio, incluidos garajes, sótanos, espacios de acceso, cobertizos, cerramientos o compartimentos, incluido el compartimiento del generador de un vehículo recreativo.

⚠ PELIGRO

Riesgo de electrocución. Nunca use el generador en un lugar mojado o húmedo. Nunca exponga el generador a la lluvia, nieve, rocío de agua o agua estancada mientras esté en uso. Proteja el generador de todas las condiciones climáticas peligrosas. La humedad o el hielo pueden provocar un cortocircuito u otro mal funcionamiento en el circuito eléctrico. El uso de un generador o aparato eléctrico en condiciones de humedad, como lluvia o nieve, cerca de una piscina o sistema de rociadores, o cuando sus manos están mojadas, puede resultar en electrocución.

⚠ ADVERTENCIA

Peligro de incendio. Utilice el generador únicamente sobre una superficie sólida y nivelada. Operar el generador en una superficie con material suelto, como arena o recortes de césped, puede hacer que el generador ingiera desechos que podrían bloquear las rejillas de ventilación o el sistema de admisión de aire. Deje que el generador se enfríe durante 30 minutos antes de transportarlo o almacenarlo.

El generador debe estar en una superficie plana y nivelada en todo momento (incluso cuando no esté en funcionamiento). El generador debe tener al menos 5 pies (1,5 m) de espacio libre de todo material combustible.

No opere el generador en la parte trasera de un SUV, caravana, remolque, caja de camión (regular, plana o de otro tipo), debajo de escaleras, cerca de paredes

o edificios, o en cualquier otro lugar que no permita el enfriamiento adecuado del generador y / o silenciador. NO contenga generadores durante el funcionamiento.

⚠ PELIGRO

Peligro de asfixia. Coloque el generador en un área bien ventilada. NO coloque el generador cerca de conductos de ventilación o entradas donde los gases de escape puedan entrar en espacios ocupados o confinados. Considere cuidadosamente las corrientes de aire y viento cuando coloque el generador.

TOMA DE TIERRA

⚠ ADVERTENCIA

Peligro de choque. No conectar a tierra correctamente el generador puede provocar una descarga eléctrica.

El neutro del generador está flotando (el cable neutro está aislado del sujetador de conexión a tierra y las clavijas de tierra del receptáculo de CA).

Si este generador se utilizará únicamente con un cable y equipo de enchufe conectados a los receptáculos montados en el generador, el Código Eléctrico Nacional no requiere que la unidad esté conectada a tierra. Sin embargo, otros métodos de uso del generador pueden requerir conexión a tierra para reducir el riesgo de descarga eléctrica o electrocución.

AVISO

Utilice únicamente cables de extensión, herramientas y electrodomésticos de 3 clavijas con conexión a tierra, o herramientas y electrodomésticos con doble aislamiento.

Consulte a un electricista calificado, inspector eléctrico o agencia local que tenga jurisdicción sobre los códigos u ordenanzas locales para averiguar si es necesaria una conexión a tierra en su situación antes de usar el generador.

OPERACIÓN A GRAN ALTITUD

La potencia del motor se reduce cuanto más alto opera sobre el nivel del mar. La producción se reducirá aproximadamente un 3,5% por cada 1000 pies de aumento de altitud desde el nivel del mar.

Se requiere un ajuste de altitud elevada para el funcionamiento a altitudes superiores a los 5.000 pies (1524 m). El funcionamiento sin este ajuste provocará una disminución del rendimiento, un mayor consumo de combustible y un aumento de las emisiones..

AVISO

No opere el generador en altitudes inferiores a 2.000 pies (762 m) con el kit de gran altitud instalado. Pueden producirse daños en el motor.

Kit de carburador de gran altitud: Parte# A058V024

INICIO REMOTO

▲ ADVERTENCIA

Verifique que el área alrededor del generador esté despejada antes de arrancar el generador a distancia.

El llavero de arranque remoto incluido con el generador debe estar conectado a la palanca de retroceso o al panel de control. Si su unidad se envió sin un llavero, comuníquese con el equipo de soporte de Cummins.

El generador se puede encender de forma remota desde hasta 99 pies (30 metros) utilizando el llavero de encendido remoto.

Nota: A medida que se agoten las baterías del llavero de encendido remoto, la distancia operativa disminuirá.

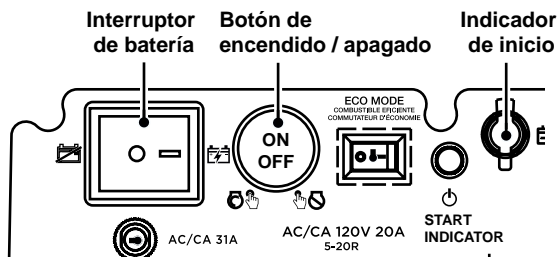
Baterías de repuesto remotas: (2) CR2016

Reemplazo remoto: A058U9858

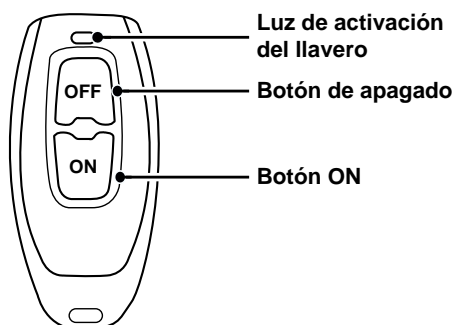
REPROGRAMACIÓN DEL ARRANQUE REMOTO

Si se reemplaza el llavero de encendido remoto o necesita volver a emparejarse con el generador, siga este procedimiento.

1. Gire el interruptor de la batería del generador a la posición ON.
2. Mantenga presionado el botón de ENCENDIDO / APAGADO durante 10 segundos y luego suéltelo. La luz indicadora de inicio parpadeará en verde.



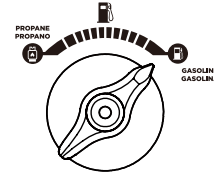
3. Presione el botón ON en el llavero de encendido remoto. Se emparejará con el generador automáticamente y la luz indicadora de arranque del generador dejará de parpadear.



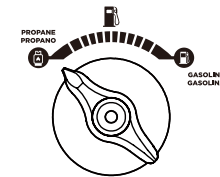
INTERRUPTOR SELECTOR DE COMBUSTIBLE

Coloque el interruptor selector de combustible en el panel de control frontal a la elección de combustible deseada.

Gire el selector de combustible completamente hacia la derecha para operar con gasolina.



Gire el selector de combustible completamente hacia la izquierda para operar con propano.



PERÍODO DE RODAJE

Para un rodaje adecuado, no exceda el 50% de los vatios de funcionamiento nominales (1850 vatios) durante las primeras cinco horas de funcionamiento.

Varíe la carga de vez en cuando para permitir que los devanados del estator se calienten y enfríen y ayuden a asentar los anillos del pistón.

FRECUENCIA DE USO

Si el generador se utilizará de forma poco frecuente o intermitente (más de un mes antes del próximo uso), consulte las secciones de Mantenimiento y almacenamiento de la batería de este manual para obtener información sobre el deterioro de la batería y el combustible.

ANTES DE ARRANCAR EL GENERADOR

- Verifique que el generador esté colocado en un lugar seguro y apropiado.
- Asegúrese de que el generador esté sobre una superficie seca, plana y nivelada.
- Verifique que el motor esté lleno de aceite.
- Verifique que todas las cargas estén desconectadas.

▲ PELIGRO

Riesgo de incendio y explosión. NO mueva ni incline el generador durante el funcionamiento.

ARRANCAR EL MOTOR: GASOLINA

1. Verifique que haya combustible en el tanque de gasolina.
2. Ponga el selector de combustible en funcionamiento con gasolina.
3. Empuje el interruptor de la batería a la posición ON.
4. Elija el método de inicio:
 - a. **Arranque de retroceso:** Agarre firmemente y tire lentamente de la manija de retroceso hasta que sienta una mayor resistencia, luego tire rápidamente.
 - b. **Arranque remoto:** Mantenga presionado el botón de ENCENDIDO en el llavero de arranque remoto durante un segundo.
 - c. **Arranque con botón pulsador:** Mantenga pulsado el botón de arranque del motor durante dos segundos.

ARRANQUE DEL MOTOR: GLP**▲ PELIGRO**

Riesgo de incendio y explosión. Siempre gire la válvula del tanque de propano a la posición completamente cerrada si no está funcionando el generador con propano.

1. Asegúrese de que la manguera de GLP / propano esté conectada correctamente al generador y al tanque de propano.
2. Gire el interruptor selector de combustible a funcionamiento con propano.
3. Abra completamente la válvula del tanque de propano.
4. Empuje el interruptor de la batería a la posición ON.
5. Elija el método de inicio:
 - a. **Arranque de retroceso:** Agarre firmemente y tire lentamente de la manija de retroceso hasta que sienta una mayor resistencia, luego tire rápidamente.
 - b. **Arranque remoto:** Mantenga presionado el botón de ENCENDIDO en el llavero de arranque remoto durante un segundo.
 - c. **Arranque con botón pulsador:** Mantenga pulsado el botón de arranque del motor durante dos segundos.

Nota: El motor ajustará automáticamente el estrangulador y comenzará la secuencia de arranque. Si el motor no arranca, el generador intentará arrancar el motor dos veces más.

CAMBIAR LAS FUENTES DE COMBUSTIBLE**▲ PELIGRO**

Riesgo de incendio y explosión. NO agregue gasolina al tanque de combustible ni conecte la manguera de GLP / propano al generador mientras el generador está en funcionamiento.

La fuente de combustible se puede cambiar mientras el motor está funcionando si el tanque de propano está conectado al generador ANTES de la operación. gasoline to Propane

1. Abra completamente la válvula del tanque de propano.
2. Gire el interruptor selector de combustible a funcionamiento con propano.

PROPANO A GASOLINA

1. Ponga el selector de combustible en funcionamiento con gasolina.
2. Cierre completamente la válvula del tanque de propano.

Nota: Al cambiar a la operación de propano, el motor puede funcionar con dificultad durante unos segundos mientras purga la gasolina en el carburador.

Si el motor se detiene al cambiar las fuentes de combustible, reinicie la unidad con la fuente de combustible elegida.

PARAR EL MOTOR

1. Apague y desenchufe todas las cargas eléctricas conectadas. Nunca arranque ni detenga el generador con dispositivos eléctricos enchufados o encendidos.
2. Deje que el generador funcione sin carga durante varios minutos para estabilizar las temperaturas internas del motor y el generador.
3. Mantenga presionado el botón de ENCENDIDO / APAGADO durante un segundo o presione APAGADO en el llavero de encendido remoto durante un segundo.
4. Empuje el interruptor de la batería a la posición APAGADO.

Nota: Si el motor no se utilizará durante más de un mes, consulte la sección Almacenamiento para conocer los procedimientos correctos de almacenamiento del motor y el combustible.

MODO ECO

AVISO

Siempre encienda el generador con el MODO ECO APAGADO. Deje que la velocidad del motor se estabilice y que el LED de SALIDA LISTA se ilumine antes de encender el MODO ECO.



Nota: No utilice el MODO ECO cuando esté en funcionamiento en paralelo..

El MODO ECO minimiza el consumo de combustible y el ruido ajustando las RPM del motor al mínimo requerido para la carga actual.

Encienda el MODO ECO cuando encienda pequeños electrodomésticos con cargas continuas, como una computadora o luz eléctrica.

APAGUE EL MODO ECO cuando encienda grandes cargas de sobretensión, como un aire acondicionado o una bomba eléctrica.

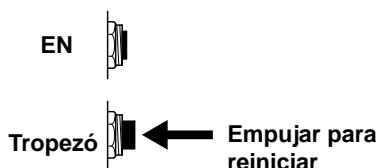
Para encender el MODO ECO, verifique que el LED de SALIDA LISTA esté iluminado en verde, luego empuje el interruptor a la posición ENCENDIDO. Si no hay carga, las RPM del generador bajarán a la velocidad de ralentí. El generador detectará cargas a medida que se apliquen y aumentará las RPM del motor.

Para hacer funcionar el generador a máxima potencia y RPM, presione el interruptor MODO ECO a la posición APAGADO.

DISYUNTORES DE CA

Los disyuntores se apagarán automáticamente si hay un cortocircuito o una sobrecarga significativa del generador en cada receptáculo. El disyuntor principal se apagará automáticamente si la carga combinada de los receptáculos excede los 31 amperios.

Si un disyuntor de CA se APAGA automáticamente, verifique que el aparato esté funcionando correctamente y que no exceda la capacidad de carga nominal del circuito antes de reiniciar el disyuntor de CA en ON.



SOBRECARGA RESTABLECER

El generador apagará automáticamente todas las salidas de CA para proteger al generador en caso de sobrecarga o si hay un cortocircuito en un aparato conectado. Sin embargo, el motor seguirá funcionando. La sobrecarga marginal que ilumina temporalmente el LED de SOBRECARGA puede acortar la vida útil del generador.

SOBRECARGA en el panel de control se iluminará en rojo y la SALIDA LISTA verde estará APAGADA.



Para restaurar la salida de CA:

1. Apague y desenchufe todas las cargas eléctricas conectadas.
2. Presione el botón RESET en el panel de control hasta que el LED de SOBRECARGA se apague y el LED de SALIDA LISTA se ilumine.
3. Reinicie el disyuntor si está APAGADO.
4. Verifique que las cargas de sobretensión y de funcionamiento previstas no superen la capacidad del generador.
5. Vuelva a conectar las cargas eléctricas secuencialmente, permitiendo que el generador se estabilice después de conectar cada carga.

CAPACIDAD DEL GENERADOR

AVISO

No sobrecargue la capacidad del generador. Exceder la capacidad de vataje / amperaje del generador puede dañar el generador y / o los dispositivos eléctricos conectados a él.

Asegúrese de que el generador pueda suministrar suficientes vatios continuos (en funcionamiento) y de sobretensión (arranque) para los elementos que alimentará al mismo tiempo.

Se deben considerar los requisitos de energía total (voltios x amperios = vatios) de todos los aparatos conectados. Los fabricantes de electrodomésticos y herramientas eléctricas suelen incluir información de clasificación cerca del modelo o número de serie.

Para determinar los requisitos de energía:

1. Seleccione los elementos que alimentará al mismo tiempo.
2. Sume los vatios continuos (en funcionamiento) de estos artículos. Esta es la cantidad de energía que debe producir el generador para mantener los elementos en funcionamiento. Consulte la tabla de referencia de potencia en la página siguiente.
3. Calcule cuántos vatios de sobretensión (arranque) necesitará. La sobretensión de vatios es la breve ráfaga de energía necesaria para poner en marcha herramientas o aparatos con motor eléctrico, como una sierra circular o un refrigerador. Debido a que no todos los motores arrancan al mismo tiempo, los vatios de sobretensión totales se pueden estimar agregando solo los elementos con los vatios de sobretensión adicionales más altos al total de vatios nominales del paso 2.

Ejemplo:

Herramienta o aparato	Ejecución de Watts *	Watts de arranque*
TV (tipo de tubo)	300	0
Refrigerador RV	180	600
Radio	200	0
Ligera (75 vatios)	300	0
Cafetera	600	0
	1580	600
	Total Ejecución de Watts *	Watts iniciales más altos *
	Vatios totales en funcionamiento	1580
	Watts iniciales más altos	+ 600
	Total de vatios iniciales necesarios	2180

* Las potencias indicadas son aproximadas. Verifique la potencia real.

GESTIÓN DE ENERGÍA

Para prolongar la vida útil del generador y los dispositivos conectados, tenga cuidado al agregar cargas eléctricas al generador. No debe haber nada conectado a las salidas del generador antes de arrancar el motor. La forma correcta y segura de administrar la energía del generador es agregar cargas secuencialmente de la siguiente manera:

1. Sin nada conectado al generador, arranque el motor como se describe en este manual.
2. Enchufe y encienda la primera carga, preferiblemente la carga más grande que tenga.
3. Permita que la salida del generador se estabilice (el motor funciona sin problemas y el dispositivo conectado funciona correctamente).
4. Enchufe y encienda la siguiente carga.

5. Nuevamente, permita que el generador se estabilice.
6. Repita los pasos 4 y 5 para cada carga adicional.

Referencia de potencia

Herramienta o aparato	Watts de funcionamiento estimados *	Watts iniciales estimados *
Luces incandescentes (4 cantidades x 75 vatios)	300	0
TV (tipo de tubo)	300	0
Bomba de sumidero (1/3 hp)	800	1300
Refrigerador o congelador	700	2200
Bomba de pozo (1/3 hp)	1000	2000
Radio	200	0
Taladro (3/8 ", 4 amperios)	440	600
Sierra circular (Servicio pesado, 7-1 / 4 ")	1400	2300
Sierra de inglete (10 ")	1800	1800
Sierra de mesa (10 ")	2000	2000

* Las potencias indicadas son aproximadas. Verifique la potencia real.

CABLES DE EXTENSIÓN

▲ ADVERTENCIA

Peligro de asfixia. Los cables de extensión que llegan directamente a la casa aumentan el riesgo de intoxicación por monóxido de carbono a través de las aberturas. Si se utiliza un cable de extensión que llega directamente a su casa para alimentar elementos de interior, existe el riesgo de intoxicación por monóxido de carbono para las personas dentro de la casa. Utilice siempre detectores de monóxido de carbono a batería que cumplan con los estándares de seguridad UL 2034 actuales cuando haga funcionar el generador. Compruebe periódicamente la batería de los detectores.

▲ ADVERTENCIA

Peligro de asfixia. Cuando opere el generador con cables de extensión, asegúrese de que el generador esté ubicado en un área abierta al aire libre, al menos a 20 pies (6 m) de los espacios ocupados con el escape apuntando hacia afuera.

▲ ADVERTENCIA

Riesgo de incendio y electrocución. Nunca use cables de extensión gastados o dañados. Los cables de extensión dañados o sobrecargados podrían sobrecalentarse, formarse un arco y quemarse y provocar la muerte o lesiones graves.

Antes de conectar un aparato de CA o un cable de

alimentación al generador:

- Use cables de extensión, herramientas y electrodomésticos de tres clavijas con conexión a tierra, o herramientas y electrodomésticos con doble aislamiento.
- Asegúrese de que la herramienta o el aparato estén en buenas condiciones de funcionamiento. Los electrodomésticos o cables de alimentación defectuosos pueden crear una posible descarga eléctrica.
- Asegúrese de que la clasificación eléctrica de la herramienta o aparato no exceda la potencia nominal del generador o del receptáculo que se está utilizando.

TAMAÑO DEL CABLE DE EXTENSIÓN

Utilice únicamente cables de extensión de 3 clavijas con conexión a tierra marcados para uso en exteriores que estén clasificados para la carga eléctrica.

Total Amperaje	Calibre mínimo, clasificado para exteriores	
	Hasta 50 FT (15 M)	Hasta 100 FT (30 M)
Hasta 10A	12	8
Hasta 15A	10	8
Hasta 20A	10	6
Hasta 30A	8	6
Hasta 35A	6	6

OPERACIÓN EN PARALELO

⚠ ADVERTENCIA

Riesgo de incendio y electrocución. Nunca conecte ni desconecte los cables del cable paralelo cuando esté funcionando un generador.

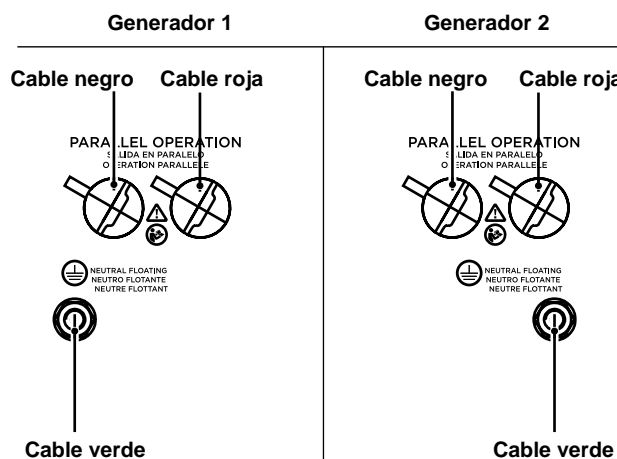
AVISO

La conexión a un generador que no es compatible puede causar una salida de bajo voltaje que puede dañar las herramientas y los electrodomésticos alimentados por el generador.

1. Se utiliza con el kit en paralelo Cummins 50A (se vende por separado). Combínelo con un inversor Cummins compatible (se vende por separado) para lograr una salida de 50 A. Ideal para aplicaciones de RV.

2. Asegúrese de que ambos interruptores de la batería del generador estén en la posición de APAGADO y que el interruptor de MODO ECO en ambos generadores esté en la posición de APAGADO.
3. Conecte los conductores del cable paralelo roja y negro a los puertos paralelos negros en cada panel de control del generador correspondiente como se muestra a continuación. Conecte el cable negro al puerto izquierdo, el cable rojo al puerto derecho.

Nota: NO conecte dos cables roja o dos cables negros en el mismo generador.



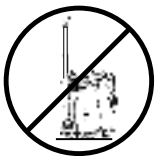
4. Conecte el cable de tierra verde al terminal de tierra de cada generador y apriete la tuerca.
5. Encienda uno de los generadores y espere hasta que se encienda el LED OUTPUT READY.
6. Encienda el segundo generador y espere hasta que el LED de SALIDA LISTA se ilumine antes de conectar una carga.
7. Conecte cargas adicionales como se describe en la sección Administración de energía.
8. Desenchufe todas las cargas antes de detener los generadores.

TRANSPORTE

▲ PRECAUCIÓN

Peligro de peso. Siempre tenga ayuda cuando levante el generador.

- Deje que el generador se enfríe un mínimo de 30 minutos antes de transportarlo.
- Reemplace todas las cubiertas protectoras en el panel de control del generador.
- Utilice únicamente las manijas fijas del generador para levantar la unidad o sujetar cualquier restricción de carga, como cuerdas o correas de sujeción. No intente levantar o asegurar el generador sujetándose a ninguno de sus otros componentes.
- Mantenga la unidad nivelada durante el transporte para minimizar la posibilidad de fugas de combustible o, si es posible, drene el combustible o haga funcionar el motor hasta que el tanque de combustible esté vacío antes del transporte.
- Las ruedas del generador solo están diseñadas para el transporte manual. Las ruedas no son adecuadas para remolcar el generador dentro o fuera de la carretera.
- Utilice el asa extensible para el transporte manual por una sola persona. Para desplegar el mango, presione el botón de bloqueo y tire del mango hasta que esté completamente extendido. Para guardarlo, presione el botón de bloqueo y empuje el mango hasta que esté completamente retraído. Solo extienda o retraiga la manija mientras el generador esté APAGADO, parado y descansando sobre una superficie horizontal. No use la manija extensible para levantar el generador por completo del suelo, remolcarlo o darle la vuelta.

▲ PRECAUCIÓN

Peligro de incendio. No apague completamente el generador. Se pueden producir fugas de combustible o aceite y se pueden producir daños en el generador.

MANTENIMIENTO

PROGRAMA DE MANTENIMIENTO

El mantenimiento regular mejorará el rendimiento y extenderá la vida útil del generador. Siga los intervalos horarios o de calendario, lo que ocurra primero. Se requiere un servicio más frecuente cuando se opera en condiciones adversas como se indica a continuación.

Antes de cada uso
Revise el aceite del motor
Después de las primeras 25 horas o el primer mes
Cambia el aceite del motor
Después de 50 horas o cada 6 meses
Cambiar el aceite del motor ¹ Filtro de aire limpio ²
Después de 100 horas o cada 6 meses
Inspeccione / limpie el parachispas Inspeccione / limpie la bujía Reemplace el filtro de combustible ³ Inspeccione / ajuste el juego de válvulas ³
Después de 300 horas o cada año
Reemplace la bujía Reemplazar filtro de aire

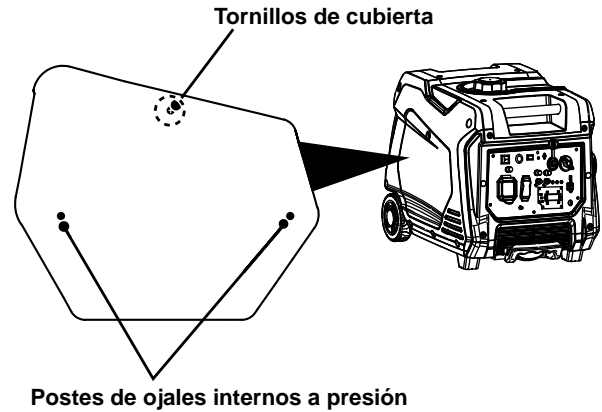
- ¹ Cambie el aceite cada mes cuando opere bajo carga pesada o en altas temperaturas.
- ² Limpie con más frecuencia en condiciones de suciedad o polvo. Reemplace el filtro de aire si no se puede limpiar adecuadamente.
- ³ Recomiende que el servicio lo realice un distribuidor de servicio autorizado de Cummins.

PIEZAS DE REPUESTO PARA MANTENIMIENTO

Descripción	Número de pieza
Filtro de aire de espuma	A064D489
Tapón de drenaje de aceite arandela de presión	A064D595
Supresor de chispas	A064D502
Batería	A058U961
Bujía	A058V025

CUBIERTA DE SERVICIO DEL MOTOR

Quite la cubierta de servicio del motor para acceder al filtro de aire, carburador y bujía. Quite los tornillos de la cubierta y luego tire de la cubierta hacia afuera con ambas manos para evitar daños en los postes de ojal de la cubierta.



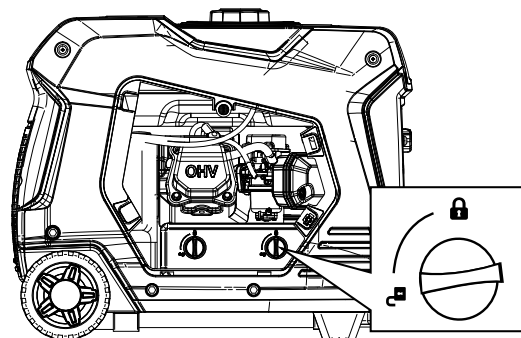
MANTENIMIENTO DEL FILTRO DE AIRE

▲ ADVERTENCIA

Peligro de incendio. Nunca use gasolina u otros solventes inflamables para limpiar el filtro de aire. Utilice únicamente jabón detergente doméstico para limpiar el filtro de aire.

El filtro de aire debe limpiarse cada 50 horas de uso o cada seis meses (la frecuencia debe aumentarse si el generador se opera en un ambiente polvoriento). Place the generator on a level surface and allow the engine to cool for several minutes.

1. Retire la tapa de servicio del motor.
2. Gire las perillas de la tapa del filtro de aire a la posición desbloqueada. Incline la cubierta hacia abajo para quitarla.



Nota: El elemento del filtro de aire está empapado en aceite. Utilice un recipiente de limpieza adecuado.

AVISO

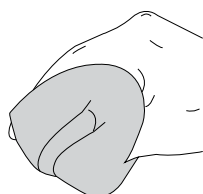
Evite el contacto de la piel con el aceite del motor. Use ropa y equipo de protección. Lave toda la piel expuesta con agua y jabón.

3. Retire el filtro de aire de espuma de la carcasa del filtro de aire y lávelo sumergiéndolo en una solución de jabón detergente doméstico y agua tibia. Apriete lentamente la espuma para limpiar completamente.

AVISO

NO retuerza ni rasgue el elemento del filtro de aire de espuma durante la limpieza o el secado. Aplique solo una acción de apriete lenta pero firme.

4. Enjuague el elemento del filtro de aire sumergiéndolo en agua dulce y aplicando una acción de presión lenta. Deje que el filtro se seque completamente.



AVISO

No contaminar. Siga las pautas de la EPA u otras agencias gubernamentales para la eliminación adecuada de materiales peligrosos. Consulte a las autoridades locales o al centro de recuperación.

5. Sumerja el filtro de aire de espuma en aceite de motor limpio y luego exprima todo el exceso de aceite. El motor echará humo al arrancar si queda demasiado aceite en el filtro.
6. Instale el filtro de aire de espuma en la carcasa y bloquee la tapa del filtro de aire en su lugar.
7. Instale el panel de servicio del motor.

COMPROBACIÓN DEL NIVEL DE ACEITE DEL MOTOR

▲ PRECAUCIÓN

Evite el contacto de la piel con el aceite del motor. Use ropa y equipo de protección. Lave toda la piel expuesta con agua y jabón.

AVISO

Utilice siempre el aceite de motor especificado. No utilizar el aceite de motor especificado puede provocar un desgaste acelerado y / o acortar la vida útil del motor.

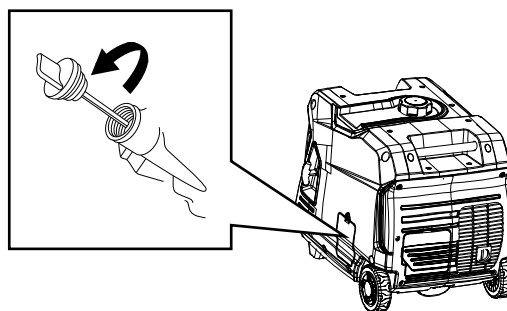
Cuando utilice el generador en condiciones extremas, sucias, polvorosas o en un clima extremadamente caluroso, cambie el aceite con más frecuencia.

La temperatura ambiente del aire afectará el rendimiento del aceite del motor. Cambie el tipo de aceite de motor utilizado según las condiciones climáticas.

Tipo de aceite de motor recomendado									
		10W-30							
	5W-30						10W-40		
	5W-30 Synthetic								
*F	-20	0	20	40	60	80	100	120	
*C	-28.9	-17.8	-6.7	4.4	15.6	26.7	37.8	48.9	
Temperatura ambiente									

Compruebe el nivel de aceite del motor antes de cada uso o cada 8 horas de funcionamiento.

1. Coloque el generador en una superficie nivelada y deje que el motor se enfríe durante varios minutos.
2. Retire la tapa de acceso al aceite.
3. Con un trapo húmedo, limpie alrededor de la varilla medidora de aceite.
4. Retire la varilla medidora de aceite y límpiela.



5. Inserte la varilla de nivel en el cuello de llenado sin atornillarla. Retire la varilla de nivel y verifique que el nivel de aceite esté dentro del rango de funcionamiento seguro.

Rango de funcionamiento seguro



- Si es bajo, agregue gradualmente el aceite de motor recomendado y vuelva a verificar hasta que el nivel esté entre las marcas L y H de la varilla de medición. No llene demasiado. Si supera la marca de lleno en la varilla de nivel, drene el aceite para reducir el nivel de aceite a la marca de lleno en la varilla de nivel.
- Reemplace la varilla medidora de aceite y apriete a mano. Instale la tapa de acceso al aceite.

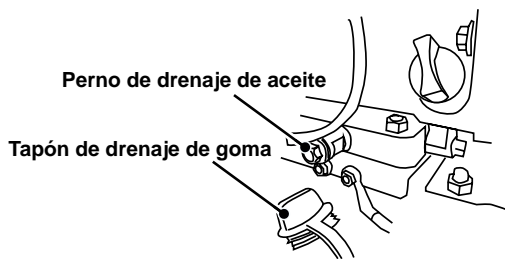
CAMBIO DE ACEITE DEL MOTOR

⚠ ADVERTENCIA

Arranque accidental. Quite la funda de la bujía de la bujía cuando trabaje en el generador. También retire el enchufe de conexión rápida de la batería de la batería.

Cuando utilice el generador en condiciones de mucho polvo o en un clima extremadamente caluroso, cambie el aceite con más frecuencia. Cambie el aceite mientras el motor aún esté caliente por la operación.

- Coloque el generador en una superficie nivelada y deje que el motor se enfríe durante varios minutos.
- Retire la tapa de servicio del motor. Desconecte el cable de la bujía de la bujía y coloque el cable donde no pueda hacer contacto con la bujía.
- Retire la tapa de acceso al aceite.
- Con un trapo húmedo, limpie alrededor de la varilla medidora de aceite. Retire la varilla y límpiela.
- Retire el tapón de goma debajo del perno de drenaje de aceite y coloque un cárter de aceite (o recipiente adecuado) debajo del orificio de drenaje.
- Con una llave de 10 mm, retire el perno de drenaje de aceite y deje que el aceite se drene.



- Instale el tapón de drenaje de aceite y apriételo firmemente. Instale el tapón de goma.

Nota: Se recomienda una nueva arandela de presión del tapón de drenaje de aceite en cada cambio de aceite.

- Vierta lentamente aceite en la abertura de llenado de aceite hasta que el nivel de aceite esté entre las marcas L y H de la varilla medidora. Deténgase con frecuencia para comprobar el nivel de aceite. No llene demasiado.

Capacidad máxima de aceite: 0.63 US qt (0.60 L)

- Reemplace la varilla y apriete a mano.
- Conecte el cable de la bujía e instale la cubierta de servicio del motor.

AVISO

No contaminar. Siga las pautas de la EPA u otras agencias gubernamentales para la eliminación adecuada de materiales peligrosos. Consulte a las autoridades locales o al centro de recuperación.

MANTENIMIENTO DE BUJÍAS

Inspeccione y limpie la bujía cada 100 horas de uso o cada seis meses. Reemplace la bujía después de 300 horas de uso o cada año.

- Coloque el generador en una superficie nivelada y deje que el motor se enfríe.
- Retire la cubierta de servicio del motor.
- Retire la funda de la bujía tirando firmemente de la funda de la bujía directamente lejos del motor.
- Limpie el área alrededor de la bujía.
- Retire la bujía con la llave de tubo de bujía incluida.

AVISO

Nunca aplique ninguna carga lateral ni mueva la bujía lateralmente al retirar la bujía.

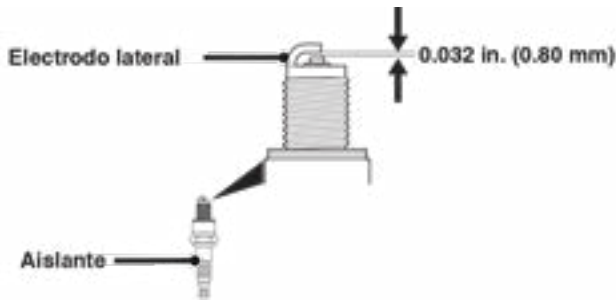
- Inspeccione la bujía. Reemplácelos si los electrodos están picados, quemados o si el aislante está agrietado. Utilice únicamente un enchufe de repuesto recomendado.

Reemplazo de bujía recomendado

Cummins Model Number	Cummins	Torch	NGK
P4500iDF	A058V025	F7RTC	BPR7ES

7. Mida el espacio entre los electrodos de la bujía con una galga de espesores de alambre. Si es necesario, corrija el espacio doblando con cuidado el electrodo lateral.

Espacio de la bujía: 0.024 – 0.032 in. (0.60 – 0.80 mm)



8. Instale con cuidado la bujía apretándola con los dedos y luego apriétela con una vuelta adicional de 3/8 a 1/2 con la llave para bujías..

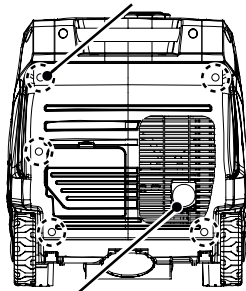
9. Instale la funda de la bujía y la cubierta de servicio del motor.

SERVICIO DE APAGACHISPAS

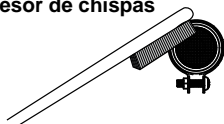
Revise y limpie el parachispas después de cada 100 horas de uso o cada seis meses. Si no se limpia el parachispas, se degradará el rendimiento del motor.

1. Coloque el generador en una superficie nivelada y deje que el silenciador se enfríe antes de dar servicio al parachispas.
2. Retire los tornillos de la tapa y la tapa del silenciador. Utilice un destornillador para quitar el parachispas.

Tornillos de la tapa (5x)



Supresor de chispas



3. Retire con cuidado los depósitos de carbón de la pantalla del parachispas con un cepillo de alambre. El parachispas debe estar libre de roturas y roturas. Reemplace el parachispas si está dañado.
4. Vuelva a instalar el parachispas y la cubierta del silenciador.

MANTENIMIENTO DE LA BATERÍA

La batería enviada con el generador está completamente cargada. Una batería puede perder algo de carga cuando no se usa durante períodos prolongados. Si la batería no puede arrancar el motor, conecte el cargador de 12 V incluido en el puerto de carga de la batería en el panel de control.

Nota: Si el generador no está funcionando, cargue la batería durante la noche una vez al mes.

⚠ PRECAUCIÓN

El cargador de batería suministrado no es un cargador lento y no está diseñado para un uso continuo. No utilice el cargador de batería durante más de 8 horas (durante la noche) para evitar la sobrecarga de la batería.

Nota: Una vez encendido, el generador cargará la batería después de 30 a 60 minutos de uso. Si no utiliza el generador con regularidad, cargue la batería durante la noche una vez al mes para mantenerla lista para su uso. Cargue la batería en un lugar seco.

1. Enchufe el cargador en el puerto de carga de la batería en el panel de control. Enchufe el extremo del receptáculo de pared del cargador de batería en un tomacorriente de pared de 120 voltios CA.
2. Desenchufe el cargador de batería del tomacorriente de pared y del enchufe del panel de control después de 8 horas de carga.

CAMBIO DE BATERÍA

⚠ ADVERTENCIA

Peligro de quemaduras. La batería contiene ácido sulfúrico (electrolito) que es altamente corrosivo y venenoso. Use ropa protectora y protección para los ojos cuando trabaje cerca de la batería. Mantenga a los niños alejados de la batería.

⚠ PRECAUCIÓN

Los bornes y bornes de la batería contienen plomo y compuestos de plomo. Lávese las manos después de manipular.

1. Retire la tapa de acceso a la batería.
2. Retire el enchufe de conexión rápida y retire la correa de la batería. Retire la batería de la unidad.

3. Desconecte los cables de desconexión rápida de la batería..
4. En la batería de reemplazo, conecte el cable de conexión rápida blanco (-) al terminal negativo de la batería. Deslice la funda de goma sobre el hardware de conexión.
5. Conecte el cable de conexión rápida rojo (+) al terminal positivo de la batería. Deslice la funda de goma sobre el hardware de conexión.
6. Levante la correa de la batería e instale la batería en el generador. Pase la correa de la batería debajo de los cables de conexión rápida y fíjela en la base de montaje.
7. Conecte el enchufe de conexión rápida e instale la tapa de acceso a la batería.

AVISO

Deseche la batería usada correctamente de acuerdo con las pautas establecidas por su gobierno local o estatal.

ALMACENAMIENTO

Se requiere una preparación de almacenamiento adecuada para un funcionamiento sin problemas y la longevidad del generador.

AVISO

La gasolina almacenada por tan solo 30 días puede deteriorarse, causando goma, barniz y acumulación de corrosivo en las líneas de combustible, los conductos de combustible y el motor. Esta acumulación corrosiva restringe el flujo de combustible, lo que puede evitar que el motor arranque después de un período de almacenamiento prolongado. El uso de estabilizador de combustible aumenta significativamente la vida útil de la gasolina. Se recomienda el uso de estabilizador de combustible a tiempo completo. Siga las instrucciones de uso del fabricante.

TIEMPO DE ALMACENAMIENTO	PROCEDIMIENTO RECOMENDADO
Menos de 1 mes	No requiere servicio.
2 a 6 meses	Llene con gasolina nueva y agregue estabilizador de gasolina. Drene el recipiente del flotador del carburador.
6 meses o más	Drene el tanque de combustible y el recipiente del flotador del carburador.

ALMACENAMIENTO A CORTO PLAZO

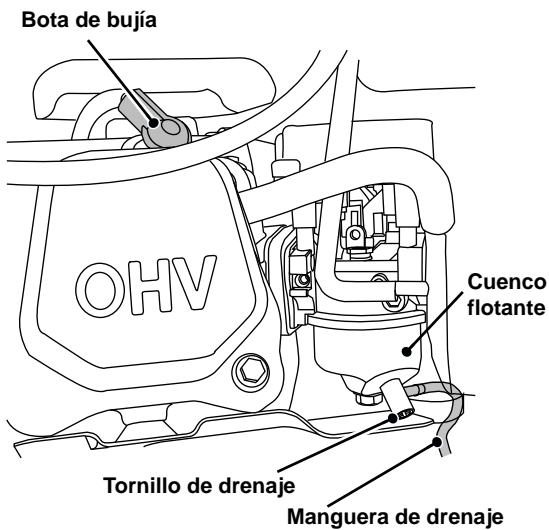
- Deje que el generador se enfríe un mínimo de 30 minutos antes de almacenarlo.
- Si funciona con GLP, gire la válvula del tanque de propano a la posición completamente cerrada y desconecte la manguera de GLP / propano del generador y del tanque de propano.
- Reemplace todas las cubiertas protectoras en el panel de control del generador.
- Limpie el generador con un paño húmedo. Limpie cualquier residuo de las entradas de aire en la parte delantera de la unidad y las rejillas de ventilación del silenciador.
- Almacene el generador en un lugar seco y bien ventilado, lejos de chispas, llamas abiertas, luces piloto, calor y otras fuentes de ignición, como áreas con un motor eléctrico que produzca chispas o donde se operen herramientas eléctricas.
- No almacene el generador o la gasolina cerca de hornos, calentadores de agua o cualquier otro aparato que produzca calor o tenga encendido automático.
- Con el motor y el sistema de escape fríos y todas las superficies secas, cubra el generador para evitar la entrada de polvo. No utilice una hoja de plástico como cubierta antipolvo. Los materiales no porosos atrapan la humedad y promueven el óxido y la corrosión.

ALMACENAMIENTO A LARGO PLAZO

Incluso el combustible debidamente estabilizado puede dejar residuos y provocar corrosión si se deja por un tiempo prolongado. Si almacena el generador durante dos a seis meses, drene el recipiente del flotador para evitar la acumulación de goma y barniz en el carburador.

DRENAJE DEL BOWL FLOTADOR

1. Remove the engine service cover.
2. Ubique la manguera de drenaje que se extiende desde la parte inferior del recipiente del flotador del carburador.



3. Coloque el extremo suelto de la manguera fuera del generador. En un recipiente de gasolina aprobado para recoger el drenaje combustible.
4. Afloje el tornillo de drenaje del recipiente del flotador y deje que el combustible desagüe. Apriete el tornillo de drenaje del recipiente del flotador.
5. Pase la manguera de drenaje entre la carcasa del filtro de aire y la tapa de servicio del motor. Instale el servicio del motor cubrir.

DRENAJE DEL TANQUE DE COMBUSTIBLE

Si almacena el generador por más de seis meses, drene el tanque de combustible para evitar la separación, el deterioro y los depósitos de combustible en el sistema de combustible. Unscrew the fuel tank cap. Remove the fuel screen filter by slightly compressing it while removing it from the tank.

1. Con una bomba manual de gasolina disponible en el mercado (no incluida), extraiga la gasolina del tanque de combustible a un recipiente de gasolina aprobado. NO use una bomba eléctrica.
2. Vuelva a instalar el filtro de malla de combustible y la tapa del tanque de combustible.
3. Encienda el generador y déjelo funcionar hasta que el motor del generador se detenga.
4. Empuje el interruptor de la batería a la posición APAGADO.
5. Desconecte el enchufe de conexión rápida de la batería.

6. Retire la bujía.

7. Ponga una cucharadita de aceite de motor en el cilindro y tire de la manija de retroceso hasta que sienta resistencia. En esta posición, el pistón sube en su carrera de compresión y ambas válvulas están cerradas. Guardar el motor en esta posición ayudará a prevenir la corrosión interna. Devuelva el mango de retroceso suavemente.

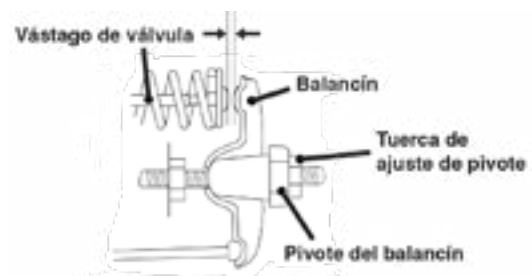
8. Vuelva a instalar la bujía. Deje la funda de la bujía desconectada para evitar un arranque accidental..

9. Instale la cubierta de servicio del motor.

JUEGO DE VÁLVULAS**AVISO**

La verificación y el ajuste de la holgura de las válvulas deben realizarse con el motor frío.

1. Retire la tapa del balancín y retire con cuidado la junta. Si la junta está rota o dañada, debe reemplazarse.
2. Retire la bujía para que el motor pueda girar más fácilmente.
3. Gire el motor hasta el punto muerto superior (TDC) tirando lentamente de la palanca de retroceso. Mirando a través del orificio de la bujía, el pistón debe estar en la parte superior (ambas válvulas están cerradas).
4. Ambos balancines deben estar sueltos en el PMS en la carrera de compresión. Si no es así, gire el motor 360 °.
5. Inserte una galga de espesores entre el balancín y el vástago de la válvula para medir la holgura de la válvula.



	Válvula de admisión	Válvula de escape
Juego de válvulas	0.0031 – 0.0047 in (0.08 – 0.12 mm)	0.0051 – 0.0067 in (0.13 – 0.17 mm)
Esfuerzo de torsión	8-12 N•m	8-12 N•m

6. Si es necesario un ajuste, sostenga el pivote del balancín y afloje la tuerca de ajuste del pivote.

7. Gire el pivote del balancín para obtener la holgura especificada. Sostenga el pivote del balancín y vuelva a apretar la tuerca de ajuste del pivote al par especificado.

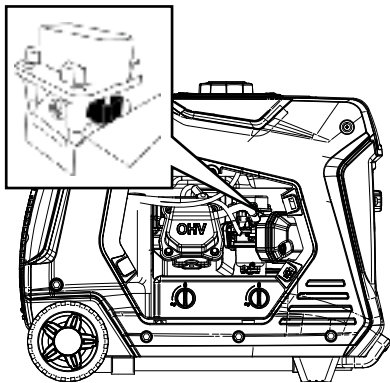
Esfuerzo de torsión: 106 inch-pound (12 N•m)

8. Realice este procedimiento para la otra válvula.
9. Instale la junta, la tapa del balancín y la bujía.

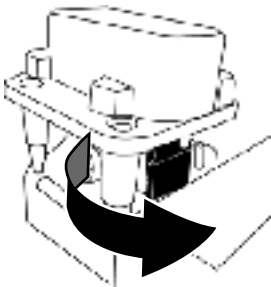
CONFIGURAR MANUALMENTE EL ESTRANGULADOR

Si la batería está muerta o desconectada, es posible que deba configurar el estrangulador manualmente para que funcione correctamente.

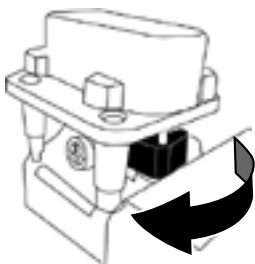
1. Retire la tapa de servicio del motor.
2. Localice la pequeña palanca negra del estrangulador en la parte superior del carburador.



3. Para cerrar el estrangulador para el arranque en frío: Utilice un destornillador para empujar la palanca negra hacia la parte delantera del generador.



4. Enciende el generador. La secuencia de inicio debería abrir automáticamente el estrangulador. Si el estrangulador no se abre automáticamente, empujelo manualmente para abrirlo.



AVISO

Ciertas temperaturas ambientales y entornos pueden requerir que cierre el estrangulador hasta la mitad para un inicio exitoso.

SOLUCIÓN DE PROBLEMAS

SOLUCIÓN DE PROBLEMAS

PROBLEMA	CAUSA POSIBLE	CORRECCIÓN
El motor no arranca	Interruptor de batería en la posición OFF.	Gire el interruptor de la batería a la posición ON.
	Sin combustible.	Repostar.
	Combustible en mal estado, generador almacenado sin tratar o drenar la gasolina, o repostado con gasolina en mal estado.	Vacíe el tanque de combustible. Reposte con gasolina nueva.
	Filtro de aire sucio.	Limpiar el filtro de aire.
	El nivel de aceite del motor bajo detuvo el generador.	Si el LED de aceite bajo se ilumina, gire el interruptor de la batería a la posición de APAGADO. Agregue aceite de motor.
	Bujía mojada con combustible (motor ahogado).	Espere cinco minutos. Gire el interruptor de la batería a la posición APAGADO. Tire de la manija de retroceso rápidamente varias veces. Si el generador no arranca, retire la bujía y séquelo.
	Bujía defectuosa, sucia o abierta incorrectamente.	Separar o reemplazar la bujía. Reinstalar.
	Filtro de combustible restringido, falla del sistema de combustible, falla de la bomba de combustible, falla de encendido, válvulas atascadas, etc.	Comuníquese con el equipo de soporte de Cummins.
	Batería drenada.	Use the recoil handle to start the generator. Carga la batería.
	Ahogador parcialmente abierto o cerrado debido a batería débil o desconectada.	Configure manualmente el estrangulador. Vea la sección de Mantenimiento.
El motor arranca y luego se apaga	Sin combustible.	Repostar.
	Nivel de aceite de motor incorrecto.	Revise el nivel de aceite del motor.
	Filtro de aire sucio.	Limpiar el filtro de aire.
	Combustible contaminado.	Vacíe el tanque de combustible. Reposte con gasolina nueva.
	Interruptor de nivel de aceite bajo defectuoso.	Comuníquese con el equipo de soporte de Cummins.
El motor carece de potencia	Filtro de aire restringido.	Limpiar o reemplazar el filtro de aire.
	Combustible en mal estado, generador almacenado sin tratar o drenar la gasolina, o repostado con gasolina en mal estado.	Vacíe el tanque de combustible. Reposte con gasolina nueva.
	Filtro de combustible restringido, falla del sistema de combustible, falla de la bomba de combustible, falla de encendido, válvulas atascadas, etc.	Comuníquese con el equipo de soporte de Cummins.
El motor funciona con dificultad o se atasca cuando se aplica carga	Filtro de aire sucio.	Limpiar el filtro de aire.
	Generador sobrecargado.	Desenchufe algunos dispositivos.
	Herramienta o aparato eléctrico defectuoso.	Reemplace o repare la herramienta o el electrodoméstico. Detenga y vuelva a arrancar el motor.
	Filtro de combustible restringido, falla del sistema de combustible, falla de la bomba de combustible, falla de encendido, válvulas atascadas, etc.	Comuníquese con el equipo de soporte de Cummins.
No hay energía en los receptáculos de CA	El LED de SALIDA LISTA está APAGADO y el LED DE SOBRECARGA está ENCENDIDO.	Verifique la carga de CA. Detenga y reinicie el motor.
		Verifique la entrada de aire. Detenga y vuelva a arrancar el motor.
	Se dispararon los disyuntores de CA.	Verifique las cargas de CA y restablezca los disyuntores.
	Herramienta o aparato eléctrico defectuoso.	Reemplace o repare la herramienta o el electrodoméstico. Detenga y vuelva a arrancar el motor.
	Generador defectuoso.	Comuníquese con el equipo de soporte de Cummins.

PROBLEMA	CAUSA POSIBLE	CORRECCIÓN
Escarcha en el tanque o regulador de propano	Si la temperatura del tanque de propano cae por debajo del punto de rocío, la condensación en el tanque puede convertirse en escarcha o hielo. Esto suele ocurrir en condiciones húmedas.	Siempre que todo el equipo de manipulación de combustible propano funcione normalmente, no es necesario realizar ninguna corrección.
	El tanque de propano no está equipado con un dispositivo de prevención de sobrellenado (OPD).	Si sospecha que su tanque de combustible de propano no está equipado con un dispositivo OPD, deje de operar inmediatamente y reemplace el tanque de combustible de propano con un tanque de propano equipado con un OPD.
	Tanque de combustible de propano sobrellenado.	Si sospecha que su tanque de combustible de propano se ha llenado en exceso, suspenda la operación inmediatamente y devuelva el tanque de combustible de propano al lugar donde lo compró o rellenó.
Olor a combustible propano	Regulador de combustible o manguera de combustible y accesorios no sellados de forma segura.	Con una solución de jabón, verifique cada conexión y apriete según sea necesario.
	Respiradero del regulador de combustible propano activo.	El regulador de combustible de propano está equipado con un respiradero que permitirá que una pequeña cantidad de vapor de combustible de propano escape del regulador cuando se abra la válvula del tanque de propano. Esto puede ser normal siempre que la ventilación del propano sea breve. Si sospecha que esto es anormal, deje de usarlo inmediatamente y haga que un técnico calificado inspeccione el regulador de propano.
	Combustible residual del carburador que se dispersa después de la operación.	Normal, no se necesita corrección.
Deficiente rendimiento o motor atascado con propano	La línea de combustible de propano está torcida o aplastada.	Inspeccione la línea de combustible de propano y elimine torceduras u otras obstrucciones.
	La válvula selectora de combustible no está colocada correctamente.	Gire la válvula de combustible completamente hasta que el puntero esté directamente en línea con el combustible deseado.
	La gasolina no se purgó del carburador antes de cambiar a propano.	Cierre la válvula del tanque de combustible de propano. Mueva el interruptor selector de combustible a gas. Arranque el motor y deje que funcione hasta que se haya consumido la gasolina en el carburador. Comience el procedimiento de encendido con propano.

Onan P4500iDF Inverter Générateur d'onduleur numérique

ESSENCE: Puissance d'opération 3700 Watts | Puissance de pointe 4500 Watts

PROPANE: Puissance d'opération 3330 Watts | Puissance de pointe 4050 Watts

MANUEL DE L'UTILISATEUR

TABLE DES MATIÈRES

INTRODUCTION

AVIS DE NON-RESPONSABILITÉ	60
CARACTÉRISTIQUES.....	61

SÉCURITÉ

DÉFINITIONS DE SÉCURITÉ	62
SYMBOLES DE SÉCURITÉ	62
CONSIGNES DE SÉCURITÉ	63
PRÉCAUTIONS GÉNÉRALES DE SÉCURITÉ	64
ESSENCE ET VAPEUR D'ESSENCE (GAZ).....	65
ÉTIQUETTES ET AUTOCOLLANTS DE SÉCURITÉ	66

COMPOSANTS

COMPOSANTS DU GÉNÉRATEUR.....	67
CENTRE DE DONNÉES LED	67
COMPOSANTS DU PANNEAU DE COMMANDE.....	68

ASSEMBLÉ

CONTENU DU CARTON	69
CARBURANT.....	69
REMPLIR LE RÉSERVOIR DE CARBURANT	70
CONNECTEZ LA BATTERIE	71
EMPLACEMENT DU GÉNÉRATEUR.....	72
MISE À LA TERRE.....	72
FONCTIONNEMENT À HAUTE ALTITUDE.....	73
DÉMARRAGE À DISTANCE.....	73
COMMUTATEUR VALVE DE CARBURANT	73
PÉRIODE DE RODAGE	73
FRÉQUENCE D'UTILISATION	74
AVANT DE DÉMARRER LE GÉNÉRATEUR	74
DÉMARRAGE DU MOTEUR	74
ARRÊT DU MOTEUR	74

MODE ECO	74
SURCHARGE RÉINITIALISER.....	75
CAPACITÉ DU GÉNÉRATEUR.....	75
GESTION DE L'ALIMENTATION	75
RALLONGES	76
DIMENSIONS DU CORDON D'EXTENSION	76
FONCTIONNEMENT PARALLÈLE	77
TRANSPORT	77

ENTRETIEN

CALENDRIER DE MAINTENANCE	78
PIÈCES DE RECHANGE DE MAINTENANCE	78
COUVERCLE DE SERVICE DU MOTEUR	78
MANTENIMIENTO DEL FILTRO DE AIRE.....	78
CONTRÔLE DU NIVEAU D'HUILE MOTEUR	79
CHANGEMENT D'HUILE MOTEUR	80
MAINTENANCE DES BOUGIES	80
SERVICE DE PARE-ÉTINCELLES.....	81
ENTRETIEN DE LA BATTERIE	81
REMPLACEMENT DE LA BATTERIE.....	81
ESPACE DE RANGEMENT	82
VIDANGE DU RÉSERVOIR DE CARBURANT	83
LE JEU DES SOUPAPES	83
RÉGLER MANUELLEMENT LE STARTER	83

DÉPANNAGE

DÉPANNAGE	85
-----------------	----


INTRODUCTION

⚠ MISE EN GARDE: L'utilisation, l'entretien et la maintenance de cet équipement peuvent vous exposer à des produits chimiques, notamment les gaz d'échappement du moteur, le monoxyde de carbone, les phtalates et le plomb, qui sont connus dans l'État de Californie pour causer le cancer et des anomalies congénitales ou d'autres troubles de la reproduction. Pour minimiser l'exposition, évitez de respirer les gaz d'échappement, faites l'entretien de votre bateau dans un endroit bien ventilé et portez des gants ou lavez-vous les mains fréquemment lors de l'entretien de cet équipement. Pour plus d'informations, rendez-vous sur www.P65warnings.ca.gov.

AVIS DE NON-RESPONSABILITÉ

Toutes les informations, illustrations et spécifications de ce manuel étaient en vigueur au moment de sa publication. Les illustrations utilisées dans ce manuel sont uniquement destinées à être des vues de référence représentatives. Nous nous réservons le droit d'apporter toute spécification ou modification de conception sans préavis.

Tous les droits sont réservés. Aucune reproduction autorisée sous quelque forme que ce soit sans l'autorisation écrite de sans l'autorisation écrite de Cummins Inc.

▲ DANGER	
	Lisez ce manuel avant d'utiliser ou d'effectuer des opérations de maintenance sur ce produit. Le non-respect des instructions et des précautions de sécurité de ce manuel peut entraîner des blessures graves ou la mort.

CONSERVEZ CES INSTRUCTIONS

ENREGISTREMENT DU PRODUIT

Pour assurer une couverture de garantie sans problème, il est important que vous enregistriez votre générateur Cummins. Vous pouvez enregistrer votre produit en ligne sur: www.cummins.com/support/product-registration

Pour vos dossiers

Date d'achat: _____

Numéro de modèle: _____

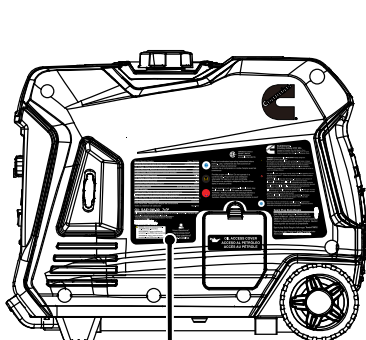
Numéro de série: _____

Lieu d'achat: _____

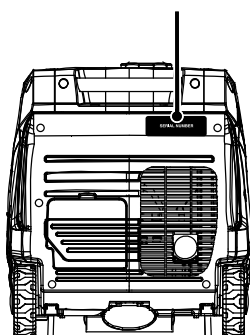
IMPORTANT: Conservez votre reçu d'achat pour une couverture de garantie sans problème.

Pour enregistrer votre générateur, vous devrez trouver les informations suivantes:

Numéro de série



Informations sur le modèle



CARACTÉRISTIQUES

CARACTÉRISTIQUES	
Puissance d'opération:	3700 Gas / 3330 LPG
Watts de pointe:	4500 Gas / 4050 LPG
Tension nominale:	120V
Fréquence nominale:	60 Hz
Phase:	Monophasé
Distorsion harmonique totale:	≤ 3%
Déplacement du moteur:	224 cc
Type de départ:	Recul, démarrage électrique, télécommande
Capacité de carburant:	3.4 Gal (12.8 L)
Type de carburant:	87–93 octane*
Capacité d'huile:	0.63 US qt (0.60 L)
Type d'huile:	10W30
Bougie d'allumage:	F7RTC
Ecartement électrode bougie:	0.024 - 0.032 in. (0.60 - 0.80 mm)
Admission de valve Dégagement:	0.0031 – 0.0047 in (0.08 – 0.12 mm)
Échappement de soupape Dégagement:	0.0051 – 0.0067 in (0.13 – 0.17 mm)
Système de mise à la terre AC:	Neutre flottant
Régulateur de tension:	Numérique
Type d'alternateur:	Aimant permanent
Température ambiante maximale:	104°F (40°C)
Certifications:	<ul style="list-style-type: none"> • EPA • CARB • CSA Group

* Teneur en éthanol de 10% ou moins.
N'utilisez PAS E15 ou E85.

AVIS

Ce produit est conçu et conçu pour un fonctionnement continu à des températures ambiantes allant jusqu'à 40 ° C (104 ° F). Si nécessaire, ce produit peut être utilisé à des températures allant de 5 ° F (-15 ° C) à 122 ° F (50 ° C) pendant de courtes périodes. Si le produit est exposé à des températures en dehors de cette plage pendant le stockage, il doit être ramené dans cette plage avant utilisation. Ce produit doit toujours être utilisé à l'extérieur dans un endroit bien ventilé et loin des portes, fenêtres et autres événements.

La puissance et le courant maximum sont soumis et limités par des facteurs tels que la teneur en BTU de carburant, la température ambiante, l'altitude, les conditions du moteur, etc. La puissance maximale diminue d'environ 3,5% pour chaque 1000 pieds au-dessus du niveau de la mer, et diminuera également d'environ 1% pour chaque 10 ° F (6 ° C) au-dessus de la température ambiante de 60 ° F (16 ° C).

SÉCURITÉ

DÉFINITIONS DE SÉCURITÉ

Les mots DANGER, AVERTISSEMENT, ATTENTION et AVIS sont utilisés tout au long de ce manuel pour mettre en évidence des informations importantes. Assurez-vous que la signification de ces informations de sécurité est connue de tous ceux qui utilisent, effectuent des travaux de maintenance ou se trouvent à proximité du générateur.



Ce symbole d'alerte de sécurité apparaît avec la plupart des déclarations de sécurité. Il signifie attention, devenez alerte, votre la sécurité est en jeu! Veuillez lire et respecter le message qui suit le symbol d'alertes de sécurité.

▲ DANGER

Indique une situation dangereuse qui, si elle n'est pas évitée, entraînera la mort ou des blessures graves.

▲ AVERTISSEMENT

Indique une situation dangereuse qui, si elle n'est pas évitée, pourrait entraîner la mort ou des blessures graves.

▲ MISE EN GARDE

Indique une situation dangereuse qui, si elle n'est pas évitée, pourrait entraîner des blessures mineures ou modérées.

AVIS

Indique une situation qui peut endommager le générateur, les biens personnels et / ou l'environnement, ou entraîner un mauvais fonctionnement de l'équipement.

Remarque: Indique une procédure, une pratique ou une condition à suivre pour que le générateur fonctionne de la manière prévue.

SYMBOLES DE SÉCURITÉ

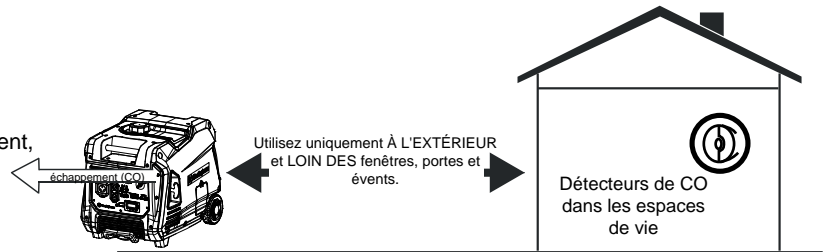
Suivez toutes les informations de sécurité contenues dans ce manuel et sur le générateur.

Symbole	La description
	Symbole d'alerte de sécurité
	Risque d'électrocution
	Risque d'asphyxie
	Risque de brûlure. Ne touchez pas les surfaces chaudes.
	Risque d'électrocution
	Risque d'incendie
	Maintenez une distance de sécurité
	Risque de levage
	Lire les instructions du fabricant
	Ne pas utiliser dans des conditions humides

CONSIGNES DE SÉCURITÉ

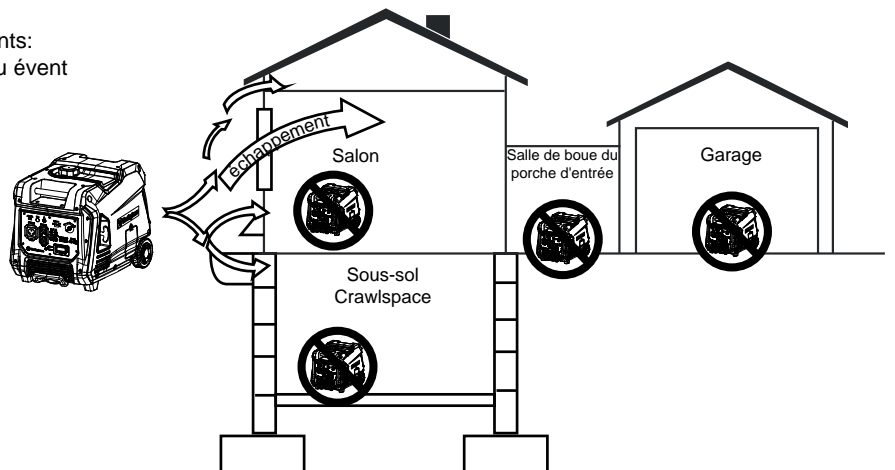
UTILISATION CORRECTE

- Exemple d'emplacement pour réduire le risque d'intoxication au monoxyde de carbone
- Utilisez **UNIQUEMENT** à l'extérieur et sous le vent, loin des fenêtres, des portes et des événements.
- Échappez directement des espaces occupés



UTILISATION INCORRECTE

- N'utilisez pas dans l'un des endroits suivants:
- Près de n'importe quelle porte, fenêtre ou événement
 - Garage
 - Sous-sol
 - Espace d'exploration
 - Salon
 - Grenier
 - Voie d'entrée
 - Porche
 - Vestiaire



AVIS

Installez des détecteurs de monoxyde de carbone à piles ou des détecteurs de monoxyde de carbone enfichables avec pile de secours dans les pièces à vivre.

⚠ DANGER

Risque d'incendie et d'électrocution. Ne pas connecter au système électrique d'un bâtiment à moins que le générateur et le commutateur de transfert n'aient été correctement installés et que la sortie électrique ait été vérifiée par un électricien qualifié. La connexion doit isoler l'alimentation du générateur de l'alimentation secteur et doit être conforme à toutes les lois et codes électriques applicables.

⚠ DANGER

L'utilisation d'un générateur à l'intérieur PEUT VOUS TUER EN QUELQUES MINUTES. L'échappement du générateur contient du monoxyde de carbone. C'est un poison que vous ne pouvez ni voir ni sentir.



NE JAMAIS utiliser à l'intérieur d'une maison ou d'un garage. **MÊME** Si les portes et fenêtres sont ouvertes.



Utilisez uniquement À L'EXTÉRIEUR et loin des fenêtres, des portes et des événements.

⚠ DANGER

Risque d'électrocution. N'utilisez jamais le générateur dans un endroit mouillé ou humide. N'exposez jamais le générateur à la pluie, à la neige, aux projections d'eau ou à l'eau stagnante pendant son utilisation. Protégez le générateur de toutes les conditions météorologiques dangereuses. L'humidité ou la glace peuvent provoquer un court-circuit ou un autre dysfonctionnement dans le circuit électrique.

PRÉCAUTIONS GÉNÉRALES DE SÉCURITÉ

- N'utilisez jamais le générateur pour alimenter du matériel médical.
- N'utilisez pas le générateur lorsque vous êtes fatigué ou sous l'influence de drogues, d'alcool ou de médicaments.
- N'utilisez pas le générateur avec des cordons électriques usés, effilochés, dénudés ou autrement endommagés.
- Tous les outils et appareils électriques alimentés par ce générateur doivent être correctement mis à la terre à l'aide d'un troisième fil ou être à double isolation.
- Lorsque ce générateur est utilisé pour alimenter un système de câblage de bâtiment, le générateur doit être installé par un électricien qualifié et connecté à un commutateur de transfert en tant que système dérivé séparément conformément à NFPA 70, National Electrical Code.
- Si vous commencez à vous sentir malade, étourdi ou faible en utilisant le générateur, passez IMMÉDIATEMENT à l'air frais. Consultez un médecin, car vous pouvez avoir une intoxication au monoxyde de carbone.
- Utilisez uniquement À L'EXTÉRIEUR et à au moins 6 mètres des fenêtres, des portes et des événements, comme recommandé par le Département américain de la santé et les centres de services humains pour le contrôle et la prévention des maladies. Votre domicile et / ou vos conditions de vent spécifiques peuvent nécessiter une distance supplémentaire.
- While operating and storing, keep at least 5 feet of clearance on all sides of the generator, including overhead. Allow the generator to cool a minimum of 30 minutes before storage. Heat created by the muffler and exhaust gases could be hot enough to cause serious burns and/or ignite combustible objects.
- Ne touchez ni le silencieux ni le moteur. Ils sont très CHAUDS et provoqueront de graves brûlures. Ne placez pas de parties du corps ou de matériaux inflammables ou combustibles sur le chemin direct de l'échappement.
- Retirez toujours tous les outils ou autres équipements de service utilisés pendant la maintenance loin du générateur avant de l'utiliser.
- Évitez tout contact cutané avec l'huile moteur ou l'essence. Portez des vêtements et des équipements de protection. Laver toute la peau exposée avec du savon et de l'eau.

SÉCURITÉ DU CARBURANT

- Stockez le carburant dans un contenant approuvé pour l'essence.
- Ne pas fumer lors du remplissage du générateur avec de l'essence.
- Ne laissez pas le réservoir d'essence du générateur déborder lors du remplissage.
- Arrêtez le moteur et laissez-le refroidir pendant cinq minutes avant d'ajouter de l'essence ou de l'huile au générateur.
- Ne retirez jamais le bouchon du réservoir lorsque le générateur est en marche. Arrêtez le moteur et laissez l'appareil refroidir pendant au moins cinq minutes. Retirez lentement le bouchon du réservoir pour relâcher la pression, empêcher le carburant de s'échapper autour du bouchon et éviter que la chaleur du silencieux ne déclenche les vapeurs de carburant. Serrez fermement le bouchon du réservoir après avoir fait le plein.
- Essayez le carburant renversé de l'unité.
- N'essayez jamais de brûler du carburant renversé.
- Ne remplissez jamais trop le réservoir de carburant. Laissez de la place pour que le carburant se dilate. Un remplissage excessif du réservoir de carburant peut entraîner un débordement soudain d'essence et entraîner le déversement d'essence en contact avec des surfaces CHAUDES.
- Le carburant renversé peut s'enflammer. Si du carburant est renversé sur le générateur, essayez immédiatement tout déversement. Jetez le chiffon correctement. Laissez sécher la zone de carburant renversé avant de faire fonctionner le générateur.
- Portez des lunettes de protection lors du ravitaillement.
- N'utilisez jamais d'essence comme agent de nettoyage.
- Entrez tout contenant contenant de l'essence dans un endroit bien ventilé, loin de tout combustible ou source d'inflammation.

ESSENCE ET VAPEUR D'ESSENCE (GAZ)

▲ DANGER

Risque d'incendie et d'explosion. L'essence est hautement explosive et inflammable et peut causer de graves brûlures ou la mort.

- En cas d'incendie au gaz, n'essayez pas d'éteindre la flamme si le robinet de carburant est en position gaz. L'introduction d'un extincteur dans une génératrice avec un robinet de carburant ouvert pourrait créer un risque d'explosion.
- Le gaz a une odeur distinctive, cela aidera à détecter rapidement les fuites potentielles.

- Les vapeurs de gaz peuvent provoquer un incendie si elles sont enflammées.
- L'essence est un irritant pour la peau et doit être nettoyée immédiatement si elle entre en contact avec la peau.

Lors du démarrage du générateur:

- Assurez-vous que le bouchon de carburant, le filtre à air, la bougie d'allumage, les conduites de carburant et le système d'échappement sont correctement en place.
- Si vous renversez de l'essence sur le réservoir, laissez-le s'évaporer complètement avant de l'utiliser.
- Assurez-vous que le générateur est sur une surface plane avant de l'utiliser.

Lors du transport ou de l'entretien du générateur:

- Disconnect the spark plug wire to prevent accidental starting.

Lors du stockage du générateur:

- Stocker à l'écart des étincelles, des flammes nues, des veilleuses, de la chaleur et de toute autre source d'inflammation.
- Ne stockez pas de gaz à proximité de fournaies, de chauffe-eau ou de tout autre appareil produisant de la chaleur ou à allumage automatique.

GAZ DE PÉTROLE LIQUÉFIÉ (GPL / PROPANE)

▲ AVERTISSEMENT

Risque d'incendie et d'explosion. N'utilisez jamais un réservoir de gaz, un tuyau de raccordement GPL / propane, un réservoir GPL / propane ou tout autre élément de carburant qui semble être endommagé.

▲ MISE EN GARDE

Risque d'incendie et d'explosion. N'utilisez que des réservoirs de GPL / propane approuvés avec une soupape de dispositif de prévention du débordement (OPD). Gardez toujours le réservoir en position verticale avec la vanne sur le dessus et placé au niveau du sol sur une surface plane. Ne laissez pas les réservoirs se trouver à proximité d'une source de chaleur. Lors du transport et du stockage, tournez le robinet du réservoir de propane en position complètement fermée et débranchez le réservoir. Assurez-vous de toujours couvrir l'entrée du générateur et la sortie du réservoir avec des capuchons de protection en plastique.

- Le GPL / propane est hautement inflammable et explosif.
- Un gaz inflammable sous pression peut provoquer un incendie ou une explosion s'il est enflammé.
- Le GPL / propane peut se déposer dans des endroits

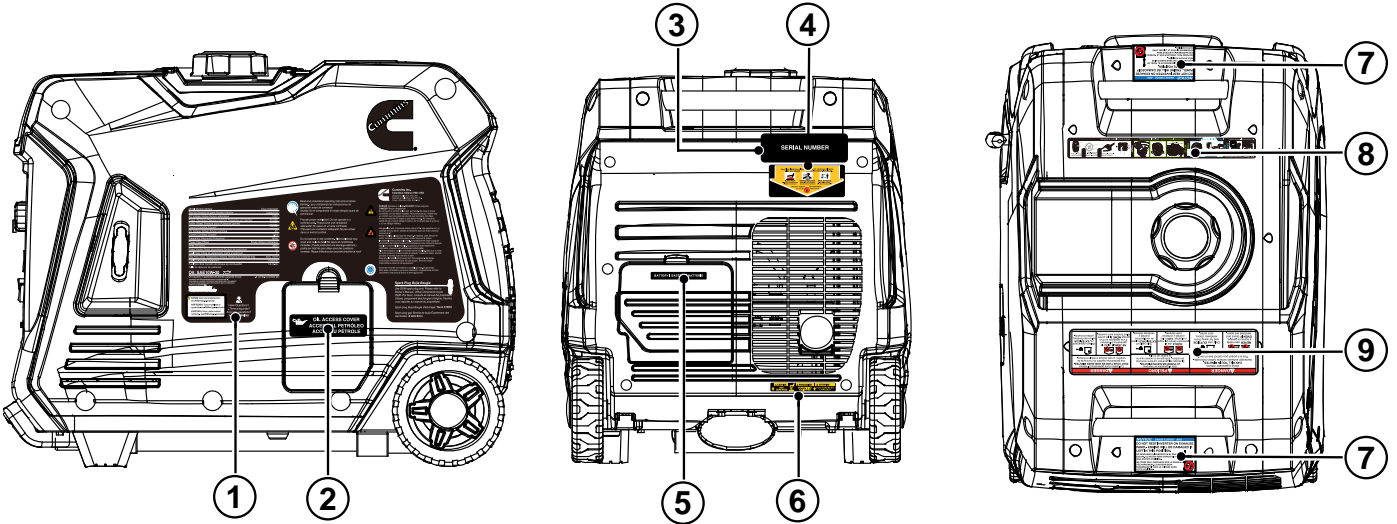
bas car il est plus lourd que l'air.

- Le GPL / propane a une odeur distinctive ajoutée pour aider à détecter les fuites potentielles.
- Gardez toujours un réservoir de GPL / propane en position verticale.
- Lors du remplacement des réservoirs de GPL / propane, assurez-vous que la vanne du réservoir est du même type.
- En cas d'incendie au GPL / propane, n'essayez pas de s'éteindre à moins que l'alimentation en carburant ne puisse être coupée en toute sécurité.
- Le GPL / propane brûlera la peau. Évitez à tout moment le contact avec la peau.
- Gardez le réservoir de propane éloigné de l'échappement du générateur.
- Les grands réservoirs de GPL / propane (500 à 1000 gallons) nécessiteront un plombier certifié pour installer la conduite de carburant vers le générateur et le régulateur desserré n'est pas utilisé (le régulateur qui est attaché au réservoir de carburant). La pression mesurée au régulateur monté sur le générateur doit être de 7 "à 14" de colonne d'eau. Un plombier certifié doit s'assurer que la pression est correcte ou installer un régulateur abaisseur si nécessaire.

▲ AVERTISSEMENT

Risque d'incendie et d'explosion. S'il y a une forte odeur de propane pendant le fonctionnement du générateur, fermez complètement le robinet du réservoir de GPL / propane immédiatement. Une fois que le propane est éteint, utilisez de l'eau savonneuse pour vérifier les fuites sur le tuyau et les connexions sur la vanne du réservoir et le générateur. Ne fumez pas, n'allumez pas de cigarette et ne vérifiez pas les fuites en utilisant une source de flamme nue telle qu'une allumette ou un briquet. Si une fuite est trouvée, contactez un technicien qualifié pour inspecter et réparer le système GPL / propane avant d'utiliser le générateur.

ÉTIQUETTES ET AUTOCOLLANTS DE SÉCURITÉ



1 **Oil Access Cover**
Cubierta del acceso al petróleo / Capot d'accès à la batterie

Read and understand operating instructions before starting. Léa y comprenda las instrucciones de operación antes de comenzar. Veuillez lire et comprendre le mode d'emploi avant de commencer.

Provide proper ventilation. Do not operate in a confined area. Proporzione una ventilazione adeguata! No opere en un área confinada. Prévoyez une ventilation adéquate! Ne pas utiliser dans un endroit confiné.

Do not operate in wet conditions. Electrical shock may result and could be fatal! No opere en condiciones húmedas. Nunca opere en condiciones eléctricas y podría ser fatal! Ne pas utiliser dans des conditions humides. Risque d'électrocution pouvant entraîner la mort!

Oil: SAE 10W-30
Oil Capacity / Capacidad de aceite / Capacitate d'ulei: 6 QT/20.3 OZ/600 ML

2 **OIL ACCESS COVER**
ACCESO AL PETRÓLEO
ACCÈS AU PÉTROLE

Cummins Inc.
Columbus Indiana 47201 USA
Power Generation Group, P.O. Box 3000
Columbus, Ohio, USA 43260

3 **SERIAL NUMBER**

4 **CAUTION | PRECAUCIÓN | MISE EN GARDE**
HOT EXHAUST KEEP SAFE DISTANCE
EQUIPAMIENTO CALIENTE MANTÉNGA LA DISTANCIA DE SEGURIDAD.
BURN RISK / RIESGO DE QUEMADURAS / RISQUE DE BRÛLURE
CARBON MONOXIDE / MONÓXIDO DE CARBONO / MONOXYDE DE CARBONE
SAFE DISTANCE / DISTANCIA SEGURA / DISTANCE DE SÉCURITÉ
DO NOT TOUCH / NO TOCAR / PAS TOUCHÉ
HOT SURFACE / SUPERFICIE CALIENTE / SURFACE CHAUDE

5 **BATTERY ACCESS COVER**
ACCESO A LA BATERIA / CAPOT D'ACCÈS À LA BATTERIE

6 **CAUTION** / **PRECAUCIÓN** / **ATTENTION**
HOT SURFACES / **SUPERFICIES CALIENTES** / **AUX SURFACES CHAUDES**

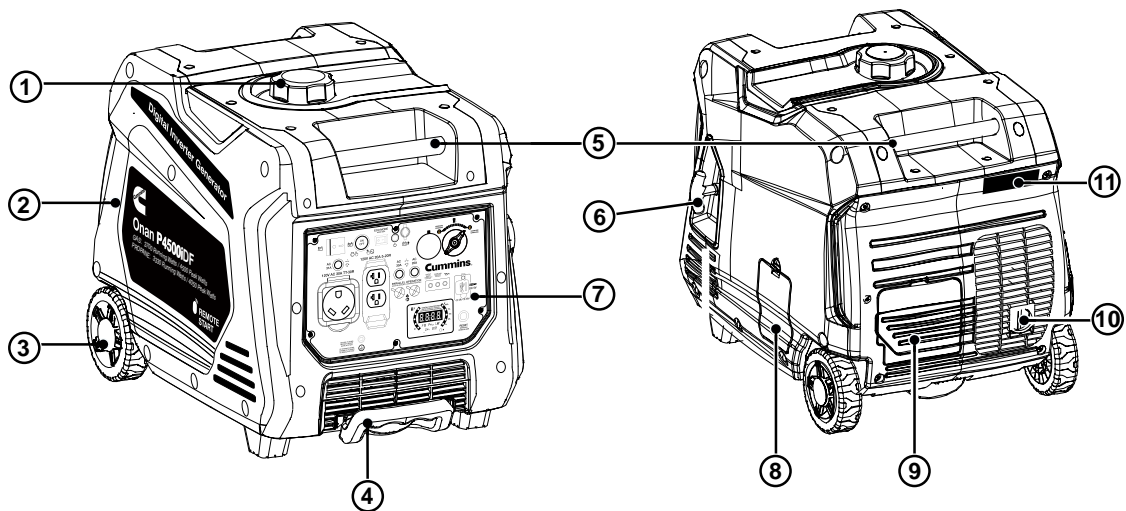
7 **NOTICE** / **DARSE CUENTA** / **AVIS**
DO NOT REST INVERTER ON EXHAUST PANEL. ENGINE WILL BE DAMAGED IF LEFT IN THIS POSITION.
NO DESCANSE EL INVERSOR EN EL PANEL DE ESCAPE. EL MOTOR SERÁ DAÑADO SI SE DEJA EN ESTA POSICIÓN.
NE POSEZ PAS L'ONDULEUR SUR LE PANNEAU D'ÉCHAPPEMENT. LE MOTEUR SERA ENDOMMAGÉ SI VOUS LE LAISSEZ DANS CETTE POSITION.

8 **Start Instructions**
GASOLINE SET UP / INICIO DE GASOLINA / DÉBUT DE L'ESSENCE
PROPANE SET UP / INICIO DE PROPANO / DÉBUT DU PROPANE
START / OPCIONES DE INICIO / OPCIONES DE DÉMARRAGE
MANUAL START / INICIO MANUAL / DÉMARRAGE MANUEL
ELECTRIC START / INICIO ELÉCTRICO / DÉMARRAGE ÉLECTRIQUE
REMOTE START / INICIO REMOTO / DÉMARRAGE À DISTANCE

1 ⚠ DANGER	1 ⚠ PELIGRO	1 ⚠ DANGER
Using a generator indoors CAN KILL YOU IN MINUTES. Generator exhaust contains carbon monoxide. This is a poison you cannot see or smell.	Usar el generador en interiores LO PUEDE MATAR EN MINUTOS. El escape del generador contiene monóxido de carbono. Este gas es un veneno que no se puede ver ni oler.	L'utilisation d'une génératrice à l'intérieur PEUT VOUS TUER EN QUELQUES MINUTES. Les génératrices rejettent du monoxyde de carbone, un gaz toxique invisible et inodore.
 NEVER use inside a home or garage, EVEN IF doors and windows are open.	 NUNCA use el generador dentro del hogar o el garaje, AÚN SI las puertas y ventanas están abiertas.	 NE JAMAIS utiliser la génératrice à l'intérieur d'une résidence ou d'un garage MÊME SI les portes et les fenêtres sont ouvertes.
 Only use OUTSIDE and far away from windows, doors, and vents.	 Solo uso en EXTERIORES y lejos de ventilaciones, puertas y ventanas abiertas.	 Utiliser uniquement à l' EXTERIEUR et loin des fenêtres, portes et événements.

COMPOSANTS

COMPOSANTS DU GÉNÉRATEUR



1. **Bouchon de réservoir:** Ajoutez du carburant sans plomb ici.
2. **Couvercle d'entretien du moteur:** Le couvercle permet d'accéder au moteur, au filtre à air, au carburateur et à la bougie d'allumage.
3. **Roues de transport:** Les roues permettent une manœuvrabilité à une main lorsqu'elles sont utilisées avec la poignée extensible.
4. **Poignée extensible:** Étendez et rétractez la poignée en appuyant sur le bouton de verrouillage.
5. **Poignées de transport:** Les poignées intégrées permettent un transport facile à deux personnes.
6. **Poignée de recul:** Tirez sur la poignée de recul pour démarrer manuellement le moteur.
7. **Panneau de commande:** Le panneau de commande contient les prises et les commandes opérationnelles.
8. **Couvercle d'accès à l'huile:** Le couvercle permet d'accéder au bouchon / jauge de remplissage d'huile et au bouchon de vidange d'huile.
9. **Couvercle d'accès à la batterie:** Le couvercle permet d'accéder à la batterie et à la prise à connexion rapide.
10. **Silencieux et pare-étincelles:** Le pare-étincelles empêche les étincelles de sortir du silencieux.
11. **Étiquette d'informations sur le modèle:** Fournit le numéro de série du modèle, la tension / ampères et les informations sur la puissance nominale.

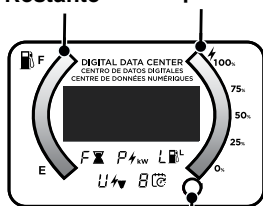
CENTRE DE DONNÉES LED

Les LED de carburant restant et de pourcentage de puissance de sortie sont affichées en continu. Appuyez sur le bouton Mode pour parcourir les modes d'affichage des données.

AFFICHAGE DES DONNÉES

% Le carburant Restante

% Pouvoir production

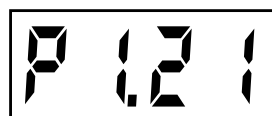


Bouton de mode



Temps d'exécution restant :

Displays time remaining with current fuel level and power output.



Puissance de sortie :

Affiche la puissance électrique sortie vers les réceptacles dans kilowatts.



Niveau de carburant :

Affiche le carburant actuel niveau en litres.



Tension:

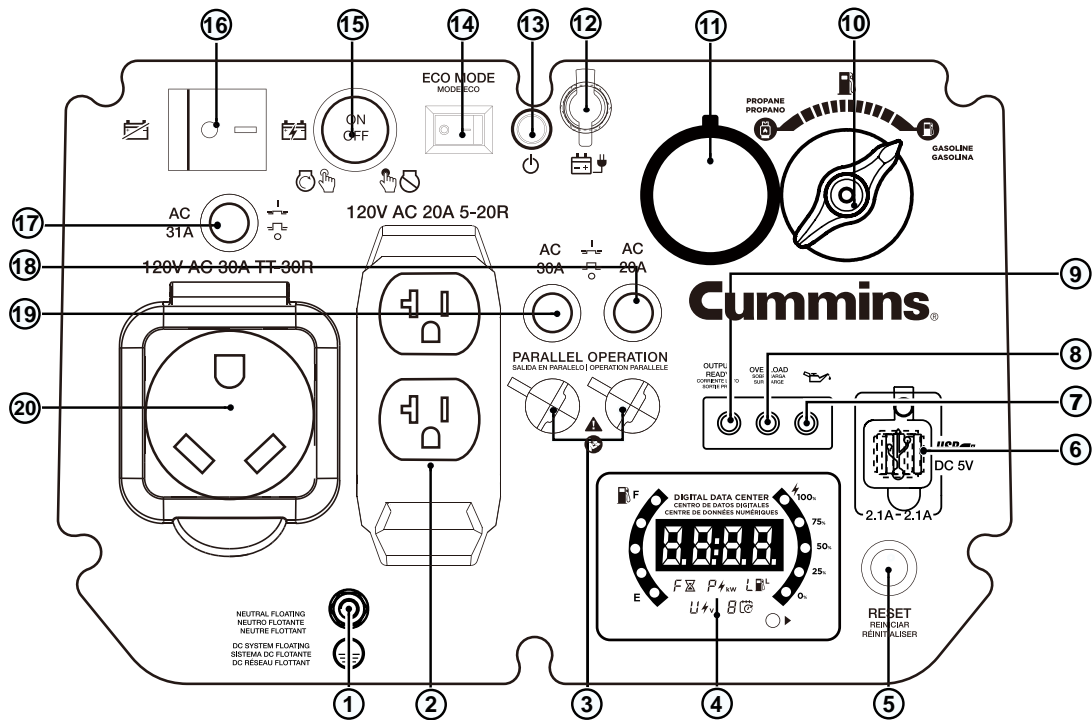
Affiche la tension actuelle sortie de l'onduleur.



Heures à vie :

Affiche la course totale temps de l'onduleur.

COMPOSANTS DU PANNEAU DE COMMANDE



1. **Borne de terre:** La borne de terre est utilisée pour mettre à la terre extérieurement le générateur.

2. **Prise NEMA 5-20R duplex de 120 volts CA, 20 A:** La prise peut fournir un maximum de 20 ampères.

Prises de fonctionnement en parallèle: Utilisées avec le kit parallèle Cummins 50A (vendu séparément). À combiner avec un onduleur Cummins compatible (vendu séparément) pour obtenir une sortie de 50 A. Idéal pour les applications RV.

4. **LED data center:** affiche la durée de fonctionnement restante (F), la puissance en kW (P), le niveau de carburant en litres (L), la tension de sortie (V) et les heures de vie.

5. **Réinitialisation de surcharge:** l'onduleur du générateur éteindra automatiquement toutes les sorties CA pour protéger le générateur en cas de surcharge ou en cas de court-circuit dans un appareil connecté.

6. **Ports USB:** Prise USB à deux ports 5V / 2,1A. Accepte les prises USB de type A.

7. **LED de bas niveau d'huile:** Indique un niveau d'huile bas. Lorsque le niveau d'huile dans le carter tombe en dessous de la limite de fonctionnement sécuritaire, l'indicateur de bas niveau d'huile s'allume et le générateur arrête automatiquement le moteur.

8. **LED de surcharge:** Indique que le générateur est surchargé.

9. **LED Output Ready:** S'allume lorsque le générateur fonctionne normalement. Indique que le générateur produit de l'énergie électrique aux prises.

10. **Commutateur de carburant:** Utilisé pour ouvrir ou fermer la vanne de gaz.

11. **Entrée GPL / propane:** Connecte un réservoir de propane avec le tuyau GPL / propane inclus.

12. **Port de chargement de la batterie:** Utilisé pour charger la batterie avec le chargeur de batterie inclus.

13. **Indicateur d'alimentation:** Indique que l'alimentation est allumée, la lumière restera allumée pendant que l'appareil est allumé.

14. **Mode Eco:** Le mode Eco minimise la consommation de carburant et le bruit en ajustant le régime du moteur au minimum requis pour la charge actuelle.

15. **Démarrage / arrêt par bouton-poussoir:** Appuyez une fois pour démarrer automatiquement le moteur. Appuyez à nouveau pour arrêter le moteur.

16. **Commutateur de batterie:** Allume et éteint la batterie. Doit être allumé avant le démarrage électrique ou le démarrage à distance.

17. **Disjoncteur principal:** Le disjoncteur principal contrôle la sortie totale de toutes les prises pour protéger le générateur contre les surcharges ou les courts-circuits.

18. **Disjoncteur CA de 20 A:** Le disjoncteur limite le courant qui peut être fourni par la prise NEMA 5-20R à 20 A.

19. **Disjoncteur CA 30 A:** Le disjoncteur limite le courant qui peut être fourni à travers la prise NEMA TT-30 à 30 A.

20. **Prise NEMA TT-30R 120 volts CA, 30 A:** La prise peut fournir un maximum de 30 ampères.

ASSEMBLÉ

CONTENU DU CARTON

1. Ouvrez soigneusement le carton.
2. Retirez et conservez le manuel d'instructions, la bouteille d'huile, l'entonnoir à huile, la clé à douille pour bougie d'allumage et le tournevis.
3. Retirez et jetez les matériaux d'emballage.
4. Dépliez le haut du sac en plastique renfermant le générateur.
5. Coupez soigneusement les coins verticaux du carton pour accéder au générateur.
6. Recyclez ou éliminez correctement les matériaux d'emballage.

Carton Contents

- Manuel de l'utilisateur
- Guide de démarrage rapide / Calendrier de maintenance
- Tuyau GPL / propane avec régulateur
- Porte-clés de démarrage à distance (attaché au démarreur à rappel)
- Bouteille d'huile SAE 10W-30 de 0,63 quart (0,6 litre)
- Tournevis
- Clé à douille de bougie
- Entonnoir à huile

REPLISSAGE D'HUILE INITIAL

AVIS

CE GÉNÉRATEUR A ÉTÉ EXPÉDIÉ SANS HUILE. N'essayez pas de lancer ou de démarrer le moteur avant qu'il n'ait été correctement entretenu avec l'huile recommandée. Le fait de ne pas ajouter d'huile moteur avant le démarrage entraînera de graves dommages au moteur.

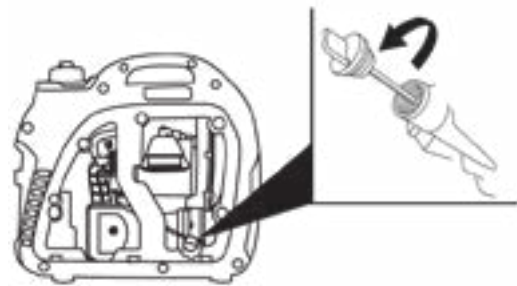
AVIS

L'utilisation d'huile 2 temps / cycle ou d'autres types d'huile non approuvés peut causer de graves dommages au moteur qui ne sont pas couverts par la garantie.

Le type d'huile recommandé pour une utilisation typique est l'huile moteur 10W-30. Si vous utilisez le générateur à des températures extrêmes, reportez-vous au tableau suivant.

Type d'huile moteur recommandé								
		10W-30						
	5W-30						10W-40	
	5W-30 Synthétique							
*F	-20	0	20	40	60	80	100	120
*C	-28.9	-17.8	-6.7	4.4	15.6	26.7	37.8	48.9
Température ambiante								

1. Sur une surface plane, retirez le couvercle de service du moteur et la jauge d'huile.



2. Sur une surface plane, retirez le couvercle d'accès à l'huile et la jauge d'huile.

Remarque: Comme de l'huile résiduelle de l'usine peut rester dans le moteur, ajoutez l'huile progressivement vers l'extrémité de la bouteille pour éviter de trop remplir le moteur. Voir Contrôle du niveau d'huile moteur dans la section Entretien.

3. Remplacez la jauge d'huile et serrez à la main.

4. Remettez le couvercle d'accès à l'huile.

CARBURANT

⚠ AVERTISSEMENT

Risque d'incendie et d'explosion. N'utilisez jamais de bidon d'essence, de réservoir d'essence ou tout autre élément de carburant cassé, coupé, déchiré ou endommagé.

⚠ DANGER

Risque d'incendie et d'explosion. Ne remplissez pas trop le réservoir de carburant. Remplissez uniquement jusqu'à l'anneau de remplissage rouge situé dans le filtre à carburant dans le réservoir. Un remplissage excessif peut entraîner un déversement de carburant sur le moteur et provoquer un incendie ou une explosion.

▲ DANGER

Risque d'incendie et d'explosion. Ne faites jamais le plein de la génératrice lorsque le moteur tourne. Arrêtez toujours le moteur et laissez le générateur refroidir pendant deux minutes avant de faire le plein.

AVIS



N'utilisez pas de carburant E15 ou E85 dans ce produit. Les dommages au moteur ou à l'équipement causés par du carburant périmé ou par l'utilisation de carburants non approuvés (tels que les mélanges d'éthanol E15 ou E85) ne sont pas couverts par la garantie. N'utilisez que de l'essence sans plomb contenant jusqu'à 10% d'éthanol.

BESOINS EN CARBURANT

- Essence sans plomb PROPRE, FRAÎCHE, 87–93 octane.
- Jusqu'à 10% d'éthanol (essence-alcool) est acceptable (le cas échéant; un carburant sans éthanol est recommandé).
- N'utilisez PAS E85 ou E15.
- NE PAS utiliser de mélange de gazole.
- NE PAS modifier le moteur pour qu'il fonctionne avec des carburants alternatifs.
- NE PAS faire le plein à l'intérieur.
- NE PAS créer d'étincelle ou de flamme pendant le ravitaillement.

UTILISATION DU STABILISATEUR DE CARBURANT

L'ajout d'un stabilisateur de carburant (non inclus) prolonge la durée de vie utile du carburant et aide à empêcher la formation de dépôts qui peuvent obstruer le système de carburant. Suivez les instructions d'utilisation du fabricant.

Mélangez toujours la bonne quantité de stabilisateur de carburant à l'essence dans un bidon d'essence approuvé avant de faire le plein de la génératrice. Faites fonctionner le générateur pendant cinq minutes pour permettre au stabilisateur de traiter tout le système d'alimentation en carburant.

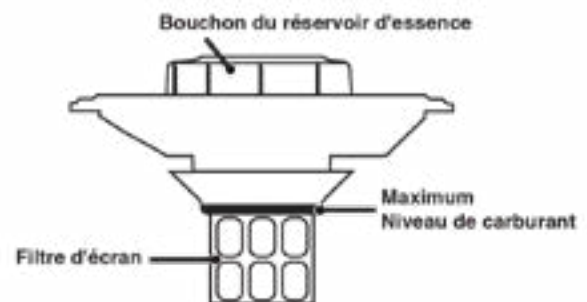
REEMPLIR LE RÉSERVOIR DE CARBURANT

1. Éteignez le générateur et laissez-le refroidir pendant au moins deux minutes avant de faire le plein.
2. Placez le générateur sur un sol plat dans un endroit bien ventilé.
3. Nettoyez la zone autour du bouchon de carburant et retirez lentement le bouchon.

AVIS

Ne remplissez le réservoir qu'à partir d'un bidon d'essence approuvé. Assurez-vous que le réservoir d'essence est propre et en bon état pour éviter la contamination du système d'alimentation en carburant.

4. Ajoutez lentement le carburant recommandé. Ne pas trop remplir. Remplissez uniquement jusqu'à l'anneau de remplissage maximum rouge sur le filtre à carburant visible dans le goulot de remplissage.



5. Installez la tapa de combustible. Apriete hasta que escuche un clic.

AVIS

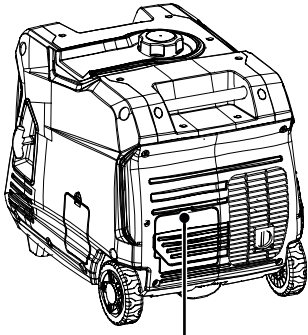
El combustible puede dañar la pintura y el plástico. Tenga cuidado al llenar el tanque de combustible. Los daños causados por el combustible derramado no están cubiertos por la garantía.

AVIS

Limpie los residuos del filtro de malla de combustible antes y después de cada repostaje. Quite el filtro de malla de combustible comprimiéndolo ligeramente mientras lo saca del tanque de combustible.

CONNECTEZ LA BATTERIE

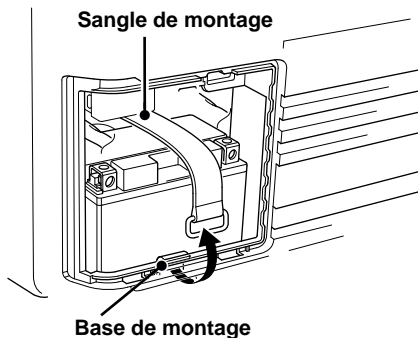
1. Abaissez la languette du couvercle d'accès à la batterie et tirez le couvercle vers l'avant pour le retirer.



Accès à la batterie
Onglet de couverture

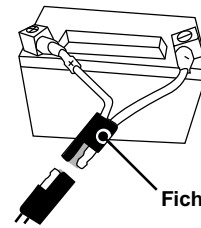
2. Vérifiez que la sangle en caoutchouc de la batterie maintient fermement la batterie en place. Si elle est lâche, tirez sur la sangle et accrochez-la à la base de montage.

Remarque: Si la sangle est lâche derrière la batterie, retirez la batterie, reconnectez la sangle, remplacez la batterie, puis enfiler la sangle sous les câbles de connexion rapide de la batterie.



Sangle de montage
Base de montage

3. Une prise de batterie à connexion rapide est préinstallée sur la batterie. Retirez l'attache-câble retenant les fiches, puis appuyez fermement pour les connecter.



Fiche à connexion rapide

4. Alignez les languettes au bas du couvercle d'accès à la batterie avec le boîtier du générateur puis poussez pour réinstaller le couvercle.

Remarque: Le générateur est équipé d'une fonction de chargement de batterie. Une fois le moteur en marche, une petite charge rechargera lentement la batterie.

EMPLACEMENT DU GÉNÉRATEUR

Lisez et comprenez toutes les informations de sécurité avant de démarrer le générateur.

▲ DANGER

L'utilisation d'un générateur à l'intérieur PEUT VOUS TUER EN QUELQUES MINUTES. L'échappement du générateur contient du monoxyde de carbone. C'est un poison que vous ne pouvez ni voir ni sentir.

 <p>NE JAMAIS utiliser à l'intérieur d'une maison ou d'un garage, MÊME SI les portes et fenêtres sont ouvertes.</p>	 <p>Utilisez uniquement À L'EXTÉRIEUR et loin des fenêtres, des portes et des événements.</p>
--	--

NE JAMAIS faire fonctionner la génératrice à l'intérieur d'un bâtiment, y compris les garages, les sous-sols, les vides sanitaires, les remises, l'enceinte ou le compartiment, y compris le compartiment de la génératrice d'un véhicule récréatif.

▲ DANGER

Risque d'électrocution. N'utilisez jamais le générateur dans un endroit mouillé ou humide. N'exposez jamais le générateur à la pluie, à la neige, aux éclaboussures d'eau ou à l'eau stagnante pendant son utilisation. Protégez le générateur de toutes les conditions météorologiques dangereuses. L'humidité ou la glace peuvent provoquer un court-circuit ou un autre dysfonctionnement dans le circuit électrique. L'utilisation d'un générateur ou d'un appareil électrique dans des conditions humides, telles que la pluie ou la neige, près d'une piscine ou d'un système d'arrosage, ou lorsque vos mains sont mouillées, peut entraîner une électrocution.

▲ AVERTISSEMENT

Risque d'incendie. Faites fonctionner le générateur uniquement sur une surface solide et plane. Le fonctionnement du générateur sur une surface avec des matériaux meubles tels que du sable ou de l'herbe coupée peut provoquer l'ingestion de débris par le générateur qui pourraient bloquer les événements de refroidissement ou le système d'admission d'air. Laissez le générateur refroidir pendant 30 minutes avant le transport ou le stockage.

Le générateur doit toujours être sur une surface plane et de niveau (même lorsqu'il n'est pas en fonctionnement). Le générateur doit avoir au moins 5 pi (1,5 m) de dégagement de tout matériau combustible.

Ne faites pas fonctionner le générateur à l'arrière d'un

VUS, d'un camping-car, d'une remorque, d'une plate-forme de camion (ordinaire, plate ou autre), sous des escaliers, près de murs ou de bâtiments, ou à tout autre endroit qui ne permettra pas un refroidissement adéquat du générateur et / ou silencieux. NE PAS contenir de générateurs pendant le fonctionnement.

▲ DANGER

Risque d'asphyxie. Placez le générateur dans un endroit bien ventilé. NE PAS placer le générateur près des événements ou des prises où les gaz d'échappement pourraient être aspirés dans des espaces occupés ou confinés. Tenez soigneusement compte des courants d'air et de vent lors du positionnement du générateur.

MISE À LA TERRE

▲ AVERTISSEMENT

Risque d'électrocution. Le fait de ne pas mettre correctement le générateur à la terre peut entraîner un choc électrique.

Le neutre du générateur est flottant (le fil neutre est isolé de la fixation de mise à la terre et des broches de terre de la prise CA).

Si ce générateur doit être utilisé uniquement avec des cordons et des prises connectés aux prises montées sur le générateur, le National Electric Code n'exige pas que l'unité soit mise à la terre. Cependant, d'autres méthodes d'utilisation du générateur peuvent nécessiter une mise à la terre pour réduire le risque de choc électrique ou d'électrocution.

AVIS

N'utilisez que des rallonges à 3 broches, des outils et des appareils mis à la terre, ou des outils et appareils à double isolation.

Consultez un électricien qualifié, un inspecteur électrique ou une agence locale ayant juridiction pour les codes ou ordonnances locaux pour savoir si une mise à la terre est nécessaire dans votre situation avant d'utiliser le générateur.

FONCTIONNEMENT À HAUTE ALTITUDE

La puissance du moteur diminue à mesure que vous travaillez au-dessus du niveau de la mer. La sortie sera réduite d'environ 3,5% pour chaque tranche de 1000 pieds d'altitude accrue par rapport au niveau de la mer.

Un réglage en haute altitude est nécessaire pour une utilisation à des altitudes supérieures à 5 000 pieds (1524 m). Le fonctionnement sans cet ajustement entraînera une baisse des performances, une augmentation de la consommation de carburant et une augmentation des émissions.

AVIS

Ne pas faire fonctionner le générateur à des altitudes inférieures à 2 000 pieds (762 m) avec le kit haute altitude installé. Des dommages au moteur peuvent survenir.

Kit de carburateur haute altitude: pièce# A058V024

DÉMARRAGE À DISTANCE**⚠ AVERTISSEMENT**

Vérifiez que la zone autour du générateur est dégagée avant de démarrer le générateur à distance.

Le porte-clés de démarrage à distance inclus avec le générateur doit être fixé à la poignée de recul ou au panneau de commande. Si votre appareil a été expédié sans porte-clés, contactez l'équipe d'assistance Cummins.

Le générateur peut être démarré à distance jusqu'à 99 pieds (30 mètres) à l'aide du porte-clés de démarrage à distance.

Remarque: Lorsque les piles du porte-clés de démarrage à distance s'épuisent, la distance opérationnelle diminue.

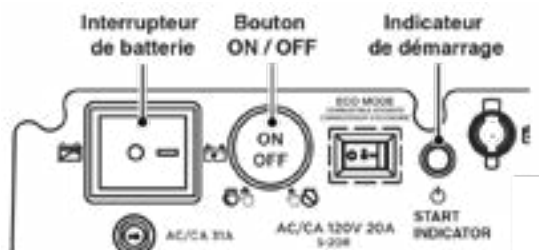
Piles de remplacement à distance: (2) CR2016

Remplacement à distance: A058U9858

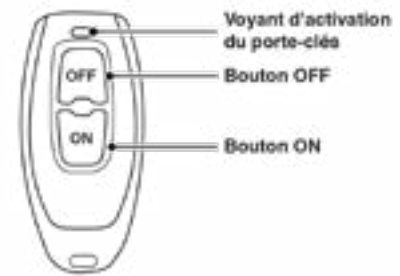
REPROGRAMMATION DU DÉMARRAGE À DISTANCE

Si le porte-clés de démarrage à distance est remplacé ou doit être réapparié au générateur, suivez cette procédure.

1. Mettez l'interrupteur de la batterie du générateur en position ON.
2. Appuyez et maintenez le bouton ON / OFF pendant 10 secondes, puis relâchez. Le voyant de démarrage clignotera en vert.

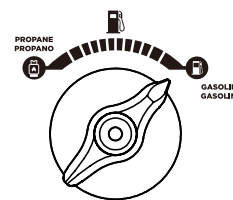


3. Appuyez sur le bouton MARCHE du porte-clés de démarrage à distance. Il s'associera automatiquement au générateur et le voyant de démarrage du générateur arrêtera de clignoter.

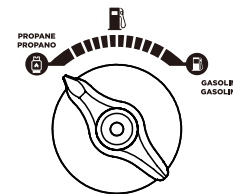
**SÉLECTEUR DE CARBURANT**

Positionnez le sélecteur de carburant sur le panneau de commande avant sur le choix de carburant souhaité.

Tournez le sélecteur de carburant à fond vers la droite pour le fonctionnement à essence.



Tournez le sélecteur de carburant complètement vers la gauche pour le fonctionnement au propane.

**PÉRIODE DE RODAGE**

Pour un bon rodage, ne dépassez pas 50% des watts de fonctionnement nominaux (1850 watts) pendant les cinq premières heures de fonctionnement.

Variez la charge de temps en temps pour permettre aux enroulements du stator de chauffer et de refroidir et aider à asseoir les segments de piston.

FRÉQUENCE D'UTILISATION

Si le générateur est utilisé de manière peu fréquente ou intermittente (plus d'un mois avant la prochaine utilisation), reportez-vous aux sections Entretien et stockage de la batterie de ce manuel pour obtenir des informations sur la détérioration de la batterie et du carburant.

AVANT DE DÉMARRER LE GÉNÉRATEUR

Vérifier que:

- Le générateur est placé dans un endroit sûr et approprié.
- Le générateur se trouve sur une surface sèche, plane et de niveau.
- Le moteur est rempli d'huile.

- Toutes les charges sont déconnectées.
- L'interrupteur ECO est en position OFF.

DÉMARRAGE DU MOTEUR: ESSENCE

1. Vérifiez que le carburant est dans le réservoir d'essence.
2. Mettez le sélecteur de carburant en mode essence.
3. Poussez le commutateur de batterie en position ON.
4. Choisissez la méthode de départ:
 - a. **Recoil Start:** saisissez fermement et tirez lentement la poignée de recul jusqu'à ce que vous sentiez une résistance accrue, puis tirez rapidement.
 - b. **Démarrage à distance:** Appuyez et maintenez enfoncé le bouton ON du porte-clés de démarrage à distance pendant une seconde.
 - c. **Démarrage par bouton-poussoir:** Appuyez sur le bouton de démarrage du moteur et maintenez-le enfoncé pendant deux secondes.

DÉMARRAGE DU MOTEUR: GPL

▲ DANGER

Risque d'incendie et d'explosion. Tournez toujours le robinet du réservoir de propane en position complètement fermée si vous ne faites pas fonctionner le générateur au propane.

1. Assurez-vous que le tuyau GPL / propane est correctement connecté au générateur et au réservoir de propane.
2. Mettez le sélecteur de carburant en mode propane.
3. Ouvrez complètement la valve du réservoir de propane.
4. Poussez le commutateur de batterie en position ON.
5. Choisissez la méthode de départ:
 - a. **Recoil Start:** saisissez fermement et tirez lentement la poignée de recul jusqu'à ce que vous sentiez une résistance accrue, puis tirez rapidement.
 - b. **Démarrage à distance:** Appuyez et maintenez enfoncé le bouton ON du porte-clés de démarrage à distance pendant une seconde.
 - c. **Démarrage par bouton-poussoir:** Appuyez sur le bouton de démarrage du moteur et maintenez-le enfoncé pendant deux secondes.

Note: Le moteur règle automatiquement le starter et commence la séquence de démarrage. Si le moteur ne démarre pas, le générateur tentera de démarrer le moteur deux fois de plus.

CHANGEMENT DE SOURCE DE CARBURANT

▲ DANGER

Risque d'incendie et d'explosion. N'ajoutez PAS d'essence dans le réservoir de carburant ou ne connectez pas le tuyau GPL / propane au générateur pendant que le générateur est en marche.

La source de carburant peut être commutée pendant que le moteur tourne si le réservoir de propane est connecté au générateur AVANT l'utilisation.

ESSENCE AU PROPANE

IMPORTANT: La capacité de charge est réduite lors du fonctionnement au propane. Assurez-vous que le générateur peut fournir suffisamment de watts (en fonctionnement) et de surtension (au démarrage) pour les éléments que vous alimentez avant de passer au propane.

1. Ouvrez complètement la valve du réservoir de propane.
2. Tournez le sélecteur de carburant sur le fonctionnement au propane.

PROPANE À L'ESSENCE

1. Tournez le sélecteur de carburant en mode essence.
2. Fermez complètement la valve du réservoir de propane.

Note: Lors du passage au fonctionnement au propane, le moteur peut tourner irrégulièrement pendant quelques secondes pendant qu'il purge l'essence dans le carburateur.

Si le moteur s'arrête lors du changement de source de carburant, redémarrez l'unité sur la source de carburant de votre choix.

ARRÊT DU MOTEUR

1. Éteignez et débranchez toutes les charges électriques connectées. Ne démarrez ou n'arrêtez jamais le générateur avec des appareils électriques branchés ou sous tension.
2. Laissez le générateur fonctionner sans charge pendant plusieurs minutes pour stabiliser les températures internes du moteur et du générateur.
3. Appuyez sur le bouton MARCHE / ARRÊT et maintenez-le enfoncé pendant une seconde ou appuyez sur ARRÊT sur le porte-clés de démarrage à distance pendant une seconde.
4. Poussez le commutateur de batterie en position OFF.
5. En cas de fonctionnement au GPL, tournez la vanne du

réservoir de propane en position complètement fermée.

Remarque: Si le moteur n'est pas utilisé pendant plus d'un mois, reportez-vous à la section Stockage pour connaître les procédures correctes de stockage du moteur et du carburant.

MODE ECO

AVIS

Démarrez toujours le générateur avec MODE ÉCO OFF. Laissez le régime du moteur se stabiliser et la LED OUTPUT READY s'allumer avant d'activer le MODE ECO.



Remarque: N'utilisez pas le MODE ÉCO en fonctionnement parallèle.

Le MODE ECO minimise la consommation de carburant et le bruit en ajustant le régime du moteur au minimum requis pour la charge actuelle.

Activez le MODE ECO lorsque vous alimentez de petits appareils avec des charges continues telles qu'un ordinateur ou une lumière électrique.

Désactivez le MODE ECO lors de l'alimentation de fortes surtensions telles qu'un climatiseur ou une pompe électrique.

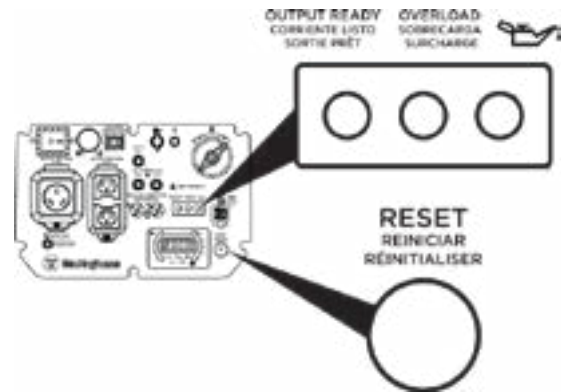
Pour activer le MODE ECO, vérifiez que la LED OUTPUT READY est allumée en vert, puis poussez l'interrupteur en position ON. Si aucune charge n'est présente, le régime du générateur tombera au ralenti. Le générateur détectera les charges à mesure qu'elles sont appliquées et augmentera le régime du moteur.

Pour faire fonctionner le générateur à la puissance et au régime maximum, poussez le commutateur MODE ECO sur la position OFF.

SURCHARGE RÉINITIALISER

LE GÉNÉRATEUR éteindra automatiquement toutes les sorties CA pour protéger le générateur en cas de surcharge ou en cas de court-circuit dans un appareil connecté. Cependant, le moteur continuera à fonctionner. Une surcharge marginale qui allume temporairement le voyant OVERLOAD peut raccourcir la durée de vie du générateur.

SURCHARGE sur le panneau de commande s'allumera en rouge et le vert OUTPUT READY sera OFF.



Pour restaurer la sortie CA:

1. Éteignez et débranchez toutes les charges électriques connectées.
2. Appuyez sur le bouton RESET du panneau de commande jusqu'à ce que le voyant OVERLOAD s'éteigne et que le voyant OUTPUT READY s'allume.
3. Réinitialisez le disjoncteur s'il est OFF.
4. Vérifiez que les charges de fonctionnement et de surtension prévues ne dépassent pas la capacité du générateur.
5. Reconnectez les charges électriques de manière séquentielle, permettant au générateur de se stabiliser après que chaque charge est connectée.

CAPACITÉ DU GÉNÉRATEUR

AVIS

Ne surchargez pas la capacité du générateur. Le dépassement de la capacité en watts / ampérage du générateur peut endommager le générateur et / ou les appareils électriques qui y sont connectés.

Assurez-vous que le générateur peut fournir suffisamment de watts continus (en fonctionnement) et de surtension (de démarrage) pour les éléments que vous alimenterez en même temps.

Les besoins de puissance totale (volts x ampères = watts) de tous les appareils connectés doivent être pris en compte. Les fabricants d'appareils et d'outils électriques indiquent généralement les informations de classification à côté du numéro de modèle ou de série.

Pour déterminer les besoins en énergie:

1. Sélectionnez les éléments que vous alimenterez en même temps.
2. Additionnez les watts continus (courants) de ces éléments. Il s'agit de la quantité d'énergie que le générateur doit produire pour maintenir les éléments en marche. Voir le tableau de référence de puissance à la page suivante.

3. Estimez le nombre de watts de surtension (de démarrage) dont vous aurez besoin. La puissance de surtension est la courte rafale de puissance nécessaire pour démarrer les outils ou appareils à moteur électrique tels qu'une scie circulaire ou un réfrigérateur. Étant donné que tous les moteurs ne démarrent pas en même temps, les watts de surtension totaux peuvent être estimés en ajoutant uniquement les éléments avec les watts de surtension supplémentaires les plus élevés au total des watts nominaux de l'étape 2.

EXEMPLE

Outil ou appareil	Watts courants*	Watts de départ*
Télévision (Type de tube)	300	0
Réfrigérateur RV	180	600
Radio	200	0
Lumière (75 watts)	300	0
Machine à café	600	0
	1580	600
	Total Watts courants*	Watts de démarrage les plus élevés*
Total des watts de fonctionnement	1580	
Watts de démarrage les plus élevés		+ 600
Total Starting Watts Needed		2180

* Les puissances indiquées sont approximatives. Vérifiez la puissance réelle.

GESTION DE L'ALIMENTATION

Pour prolonger la durée de vie du générateur et des appareils connectés, soyez prudent lorsque vous ajoutez des charges électriques au générateur. Il ne devrait y avoir rien de connecté aux sorties du générateur avant de démarrer le moteur. La façon correcte et sûre de gérer l'alimentation du générateur consiste à ajouter des charges séquentiellement comme suit:

1. Sans rien connecté au générateur, démarrez le moteur comme décrit dans ce manuel.
2. Branchez et allumez la première charge, de préférence la plus grande charge dont vous disposez.
3. Permettre à la sortie du générateur de se stabiliser (le moteur tourne sans à-coups et l'appareil attaché fonctionne correctement).
4. Branchez et allumez la charge suivante.
5. Encore une fois, laissez le générateur se stabiliser.
6. Répétez les étapes 4 et 5 pour chaque charge supplémentaire.

RÉFÉRENCE DE PUISSANCE

Outil ou appareil	Watts courants estimés*	Watts de démarrage estimés*
Lumières à incandescence (4 quantités x 75 watts)	300	0
Télévision (Type de tube)	300	0
Pompe de puisard (1/3 hp)	800	1300
Réfrigérateur ou congélateur	700	2200
Pompe de puits(1/3 hp)	1000	2000
Radio	200	0
Percer (3/8", 4 amps)	440	600
Scie circulaire (Robuste, 7-1/4 ")	1400	2300
Scie à onglet (10 ")	1800	1800
Scie à table (10 ")	2000	2000

* Les puissances indiquées sont approximatives. Vérifiez la puissance réelle.

*Wattages listed are approximate. Verify actual wattage.

RALLONGES

⚠ AVERTISSEMENT

Risque d'asphyxie. Les rallonges fonctionnant directement dans la maison augmentent le risque d'intoxication au monoxyde de carbone par les ouvertures. Si une rallonge qui entre directement dans votre maison est utilisée pour alimenter des éléments intérieurs, il existe un risque d'intoxication au monoxyde de carbone pour les personnes à l'intérieur de la maison. Utilisez toujours des détecteurs de monoxyde de carbone alimentés par batterie et conformes aux normes de sécurité UL 2034 en vigueur lors du fonctionnement du générateur. Vérifiez régulièrement la batterie du (des) détecteur (s).

⚠ AVERTISSEMENT

Risque d'asphyxie. Lorsque vous utilisez le générateur avec des rallonges, assurez-vous que le générateur est situé dans un espace extérieur ouvert, à au moins 6 m (20 pi) des espaces occupés avec l'évacuation dirigée vers l'extérieur.

⚠ AVERTISSEMENT

Risque d'incendie et d'électrocution. N'utilisez jamais de rallonges usées ou endommagées. Les rallonges endommagées ou surchargées peuvent surchauffer, présenter un arc et brûler, entraînant la mort ou des blessures graves.

Avant de connecter un appareil CA ou un cordon d'alimentation au générateur:

- Utilisez des rallonges à 3 broches, des outils et des

appareils mis à la terre, ou des outils et appareils à double isolation.

- Assurez-vous que l'outil ou l'appareil est en bon état de fonctionnement. Des appareils ou des cordons d'alimentation défectueux peuvent créer un risque d'électrocution.
- Assurez-vous que la puissance électrique de l'outil ou de l'appareil ne dépasse pas la puissance nominale du générateur ou de la prise utilisée.

DIMENSIONS DU CORDON D'EXTENSION

N'utilisez que des rallonges à 3 broches mises à la terre, marquées pour une utilisation en extérieur et conçues pour la charge électrique.

Total Intensité de courant	Jauge minimale, nominale extérieure	
	Jusqu'à 50 FT (15 M)	Jusqu'à 100 FT (30 M)
Jusqu'à 10A	12	8
Jusqu'à 15A	10	8
Jusqu'à 20A	10	6
Jusqu'à 30A	8	6
Jusqu'à 35A	6	6

FONCTIONNEMENT PARALLÈLE

⚠ AVERTISSEMENT

Risque d'incendie et d'électrocution. Ne jamais connecter ou déconnecter les fils du cordon parallèle lorsqu'un générateur est en marche.

AVIS

La connexion à un générateur qui n'est pas compatible peut provoquer une sortie basse tension pouvant endommager les outils et les appareils alimentés par le générateur.

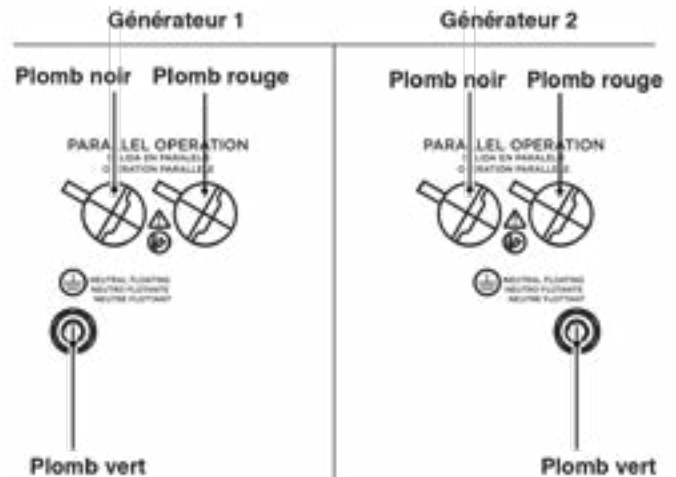
Utilisé avec le kit parallèle Cummins 50A (vendu séparément). À combiner avec un onduleur Cummins compatible (vendu séparément) pour obtenir une sortie de 50 A. Idéal pour les applications RV. NE connectez PAS deux fils rouges ou deux fils noirs au même générateur.

1. Assurez-vous que les deux interrupteurs de batterie du générateur sont en position OFF et que l'interrupteur ECO MODE des deux générateurs est en position OFF.

Remarque: Connectez les câbles parallèles noir et rouge

aux ports parallèles noirs sur chaque panneau de commande de générateur correspondant, comme illustré ci-dessous. Connectez le fil noir au port gauche, le fil rouge au port droit.

Remarque: NE connectez PAS deux fils rouges ou deux fils noirs dans le même générateur.



2. Connectez le fil de terre vert à la borne de terre de chaque générateur et serrez l'écrou.
3. Démarrez l'un des générateurs et attendez que le voyant OUTPUT READY s'allume.
4. Démarrez le deuxième générateur et attendez que le voyant OUTPUT READY s'allume avant de connecter une charge.
5. Connectez des charges supplémentaires comme décrit dans la section Gestion de l'alimentation.
6. Débranchez toutes les charges avant d'arrêter les générateurs.

TRANSPORT

⚠ MISE EN GARDE

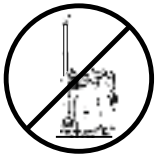
Risque de poids. Ayez toujours de l'aide pour soulever le générateur.

- Laisser le générateur refroidir au moins 30 minutes avant le transport.
- Remplacez tous les couvercles de protection sur le panneau de commande du générateur.
- Utilisez uniquement la (les) poignée (s) fixe (s) du générateur pour soulever l'unité ou attacher des dispositifs de retenue de charge tels que des cordes ou des sangles d'arrimage. N'essayez pas de soulever ou de fixer le générateur en le tenant par l'un de ses autres composants.
- Maintenez l'appareil à niveau pendant le transport pour minimiser les risques de fuite de carburant ou,

si possible, vidangez le carburant ou faites tourner le moteur jusqu'à ce que le réservoir de carburant soit vide avant le transport.

- Les roues du générateur sont uniquement destinées au transport manuel. Les roues ne sont pas adaptées au remorquage du générateur sur route ou hors route.
- Utilisez la poignée extensible pour le transport manuel d'une seule personne. Pour déployer la poignée, appuyez sur le bouton de verrouillage et tirez sur la poignée jusqu'à ce qu'elle soit complètement déployée. Pour le ranger, appuyez sur le bouton de verrouillage et appuyez sur la poignée jusqu'à ce qu'elle soit complètement rétractée. Déployez ou rétractez la poignée uniquement lorsque le générateur est éteint, stationnaire et posé sur une surface horizontale. N'utilisez pas la poignée extensible pour soulever complètement le générateur du sol, le remorquer ou le remonter.

▲ MISE EN GARDE



Risque d'incendie. N'installez pas complètement le générateur. Le carburant ou l'huile peuvent fuir et endommager le générateur.

ENTRETIEN

CALENDRIER DE MAINTENANCE

Un entretien régulier améliorera les performances et prolongera la durée de vie du générateur. Suivez les intervalles horaires ou calendaires, selon la première éventualité. Un entretien plus fréquent est nécessaire en cas de fonctionnement dans des conditions défavorables, comme indiqué ci-dessous.

Avant chaque utilisation
Vérifier l'huile moteur
Après les 25 premières heures ou le premier mois
Changez l'huile du moteur
Après 50 heures ou tous les 6 mois
Changer l'huile moteur ¹
Filtre à air propre ²
Après 100 heures ou tous les 6 mois
Inspecter / nettoyer le pare-étincelles
Inspecter / nettoyer la bougie d'allumage
Remplacer le filtre à carburant ³
Inspecter / régler le jeu des soupapes ³
Après 300 heures ou chaque année
Remplacer la bougie
Remplacer le filtre à air

¹ Changez l'huile tous les mois en cas de fonctionnement sous forte charge ou à haute température.

² Nettoyez plus souvent dans des conditions sales ou poussiéreuses. Remplacez le filtre à air s'il ne peut pas être nettoyé correctement.

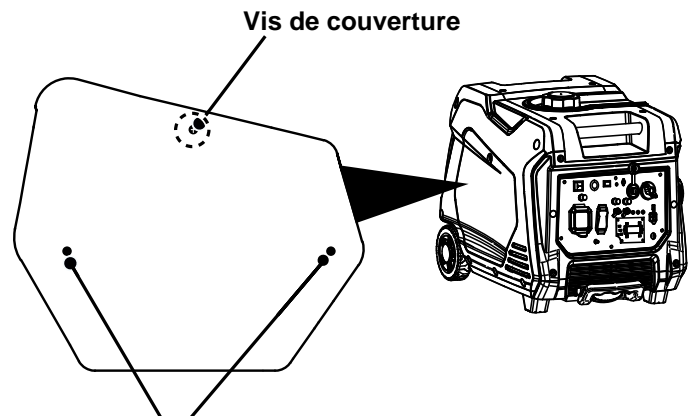
³ Il est recommandé que le service soit effectué par un revendeur agréé Cummins.

PIÈCES DE RECHANGE DE MAINTENANCE

Description	Numéro d'article
Filtre à air en mousse	A064D489
Bouchon de vidange d'huile rondelle d'écrasement	A064D595
Pare-étincelles	A064D502
La batterie	A058U961
Bougie d'allumage	A058V025

COUVERCLE DE SERVICE DU MOTEUR

Retirez le couvercle de service du moteur pour accéder au filtre à air, au carburateur et à la bougie d'allumage. Retirez les vis du couvercle, puis tirez le couvercle tout droit avec les deux mains pour éviter d'endommager les poteaux à œillets du couvercle.



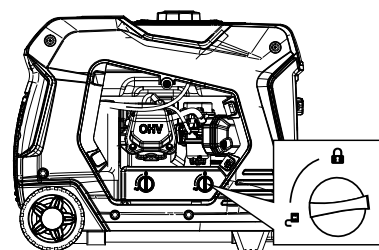
MANTENIMIENTO DEL FILTRO DE AIRE

⚠ AVERTISSEMENT

Risque d'incendie. N'utilisez jamais d'essence ou d'autres solvants inflammables pour nettoyer le filtre à air. Utilisez uniquement du savon détergent ménager pour nettoyer le filtre à air.

Le filtre à air doit être nettoyé toutes les 50 heures d'utilisation ou six mois (la fréquence doit être augmentée si le générateur est utilisé dans un environnement poussiéreux).

1. Placez le générateur sur une surface plane et laissez le moteur refroidir pendant plusieurs minutes.
2. Retirez le couvercle d'accès à l'huile.
3. Tournez les boutons sur le couvercle du filtre à air en position déverrouillée. Inclinez le couvercle pour le retirer.



Remarque: L'élément du filtre à air est imbibé d'huile. Utilisez un récipient de nettoyage approprié.

AVIS

Évitez tout contact cutané avec l'huile moteur. Portez des vêtements et des équipements de protection. Laver toute la peau exposée avec du savon et de l'eau.

- Retirez le filtre à air en mousse du boîtier du filtre à air et lavez-le en plongeant l'élément dans une solution de détergent ménager et d'eau chaude. Pressez lentement la mousse pour bien la nettoyer.

AVIS

NE PAS tordre ni déchirer l'élément du filtre à air en mousse pendant le nettoyage ou le séchage. N'appliquez qu'une pression lente mais ferme.

- Rincez l'élément du filtre à air en le plongeant dans de l'eau fraîche et en appliquant une légère pression. Laissez le filtre sécher complètement.

AVIS

Ne polluez pas. Suivez les directives de l'EPA ou d'autres agences gouvernementales pour l'élimination appropriée des matières dangereuses. Consultez les autorités locales ou le centre de remise en état.

- Trempez le filtre à air en mousse dans de l'huile moteur propre, puis essorez tout excès d'huile. Le moteur fumera au démarrage s'il reste trop d'huile dans le filtre..
- Installez le filtre à air en mousse dans le boîtier et verrouillez le couvercle du filtre à air en place. Installez le capot de service du moteur.

CONTRÔLE DU NIVEAU D'HUILE MOTEUR

⚠ CAUTION

Évitez tout contact cutané avec l'huile moteur. Portez des vêtements et des équipements de protection. Laver toute la peau exposée avec du savon et de l'eau.

AVIS

Utilisez toujours l'huile moteur spécifiée. Le fait de ne pas utiliser l'huile moteur spécifiée peut entraîner une usure accélérée et/ou raccourcir la durée de vie du moteur.

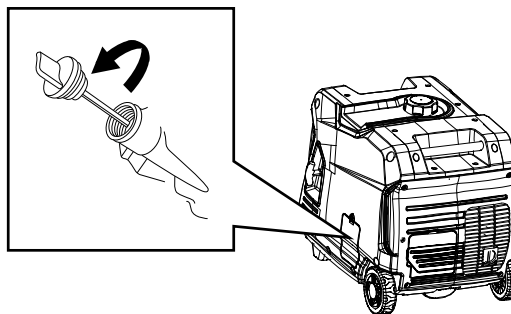
Lorsque vous utilisez le générateur dans des conditions extrêmes, sales, poussiéreuses ou par temps extrêmement chaud, changez l'huile plus fréquemment.

La température de l'air ambiant affectera les performances de l'huile moteur. Changez le type d'huile moteur utilisé en fonction des conditions météorologiques.

Type d'huile moteur recommandé								
		10W-30						
	5W-30					10W-40		
	5W-30 Synthétique							
*F	-20	0	20	40	60	80	100	120
*C	-28.9	-17.8	-6.7	4.4	15.6	26.7	37.8	48.9
Température ambiante								

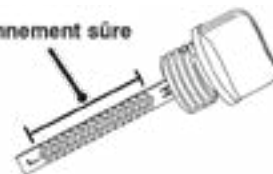
Vérifiez le niveau d'huile moteur avant chaque utilisation ou toutes les 8 heures de fonctionnement.

- Placez le générateur sur une surface plane et laissez le moteur refroidir pendant plusieurs minutes.
- Retirez le couvercle de service du moteur.
- Avec un chiffon humide, nettoyez autour de la jauge d'huile.
- Retirez la jauge d'huile et essuyez la jauge.



- Insérez la jauge dans le goulot de remplissage sans la visser. Retirez la jauge et vérifiez que le niveau d'huile est dans la plage de fonctionnement sécuritaire.

Plage de fonctionnement sûre



- Si le niveau est bas, ajoutez progressivement l'huile moteur recommandée et revérifiez jusqu'à ce que le niveau se situe entre les marques L et H de la jauge. Ne pas trop remplir. S'il dépasse le repère plein sur la jauge, vidangez l'huile pour réduire le niveau d'huile au repère plein sur la jauge. Remplacez la jauge d'huile et serrez à la main.
- Installez le couvercle d'accès à l'huile.

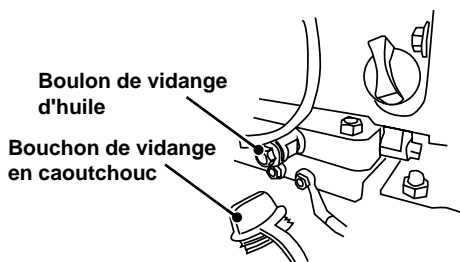
CHANGEMENT D'HUILE MOTEUR

⚠ AVERTISSEMENT

Démarrage accidentel. Retirez le soufflet de bougie d'allumage de la bougie d'allumage lorsque vous travaillez sur le générateur.

Lorsque vous utilisez le générateur dans des conditions poussiéreuses ou par temps extrêmement chaud, changez l'huile plus fréquemment. Changez l'huile pendant que le moteur est encore chaud après le fonctionnement.

1. Placez le générateur sur une surface plane et laissez le moteur refroidir pendant plusieurs minutes.
2. Retirez le couvercle de service du moteur. Débranchez le fil de la bougie d'allumage de la bougie d'allumage et placez le fil là où il ne peut pas entrer en contact avec la bougie.
3. Retirez le couvercle d'accès à l'huile.
4. Avec un chiffon humide, nettoyez autour de la jauge d'huile. Retirez la jauge et essuyez.
5. Retirez le bouchon en caoutchouc sous le boulon de vidange d'huile et placez un carter d'huile (ou un récipient approprié) sous le trou de vidange.
6. À l'aide d'une clé de 10 mm, retirez le boulon de vidange d'huile et laissez l'huile s'écouler.



7. Installez le bouchon de vidange d'huile et serrez fermement. Installez le bouchon en caoutchouc.

Remarque: Une nouvelle rondelle d'écrasement du bouchon de vidange d'huile est recommandée à chaque vidange d'huile.

8. Versez lentement de l'huile dans l'ouverture de remplissage d'huile jusqu'à ce que le niveau d'huile se situe entre les marques L et H de la jauge. Arrêtez-vous fréquemment pour vérifier le niveau d'huile. Ne pas trop remplir.

Capacité d'huile maximale: 0.63 US qt (0.60 L)

9. Remplacez la jauge et serrez à la main.

10. Connectez le fil de la bougie et installez le couvercle de service du moteur.

NOTICE

Ne polluez pas. Suivez les directives de l'EPA ou d'autres agences gouvernementales pour l'élimination appropriée des matières dangereuses. Consultez les autorités locales ou le centre de remise en état.

MAINTENANCE DES BOUGIES

Inspectez et nettoyez la bougie d'allumage toutes les 100 heures d'utilisation ou six mois. Remplacez la bougie d'allumage après 300 heures d'utilisation ou chaque année.

1. Placez le générateur sur une surface plane et laissez refroidir le moteur.
2. Retirez le couvercle de la bougie d'allumage sur le dessus du générateur.
3. Retirez le soufflet de bougie d'allumage en tirant fermement le soufflet d'allumage directement loin du moteur.
4. Nettoyez la zone autour de la bougie.
5. Retirez la bougie d'allumage avec la clé à douille de bougie fournie.

AVIS

N'appliquez jamais de charge latérale et ne déplacez jamais la bougie d'allumage latéralement lors du retrait de la bougie.

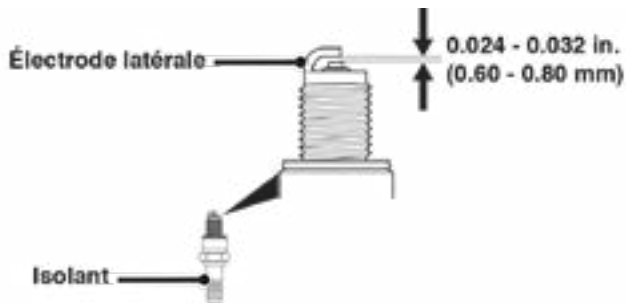
6. Inspectez la bougie d'allumage. Remplacez-les si les électrodes sont piquées, brûlées ou si l'isolant est fissuré. Utilisez uniquement une fiche de remplacement recommandée.

Remplacement recommandé de la bougie d'allumage

Cummins Model Number	Cummins	Torch	NGK
P4500iDF	A058V025	F7RTC	BPR7ES

7. Mesurez l'écartement des électrodes de la bougie avec une jauge d'épaisseur à fil. Si nécessaire, corrigez l'écart en pliant soigneusement l'électrode latérale.

Ecartement électrode bougie: 0.024 - 0.032 in. (0.60 - 0.80 mm)

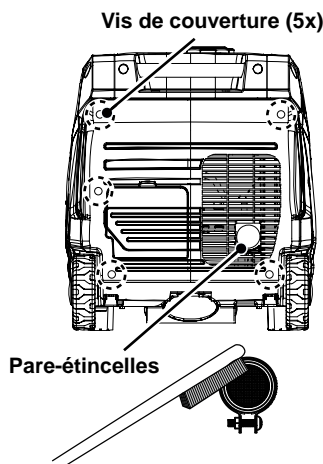


8. Installez soigneusement la bougie à la main, puis serrez de 3/8 à 1/2 tour supplémentaire avec la clé à bougie.
9. Installez le soufflet de bougie et le couvercle d'entretien du moteur.

SERVICE DE PARE-ÉTINCELLES

Vérifiez et nettoyez le pare-étincelles toutes les 100 heures d'utilisation ou six mois. Le fait de ne pas nettoyer le pare-étincelles entraînera une dégradation des performances du moteur.

1. Placez le générateur sur une surface plane et laissez le silencieux refroidir avant de réparer le pare-étincelles.
2. Retirez les vis du couvercle et le couvercle du silencieux. Utilisez un tournevis pour retirer le pare-étincelles.



3. Retirez soigneusement les dépôts de carbone de l'écran pare-étincelles avec une brosse métallique. Le pare-étincelles doit être exempt de cassures et de déchirures. Remplacez le pare-étincelles s'il est endommagé.
4. Réinstallez le pare-étincelles et le couvercle du silencieux.

ENTRETIEN DE LA BATTERIE

La batterie livrée avec le générateur a été complètement chargée. Une batterie peut perdre une partie de sa charge lorsqu'elle n'est pas utilisée pendant de longues périodes. Si la batterie ne parvient pas à lancer le moteur, branchez le chargeur 12V inclus dans le port de charge de la batterie sur le panneau de commande.

Remarque: Si le générateur ne fonctionne pas, chargez la batterie pendant la nuit une fois par mois.

▲ MISE EN GARDE

Le chargeur de batterie fourni n'est pas un chargeur d'entretien et n'est pas conçu pour une utilisation continue. N'utilisez pas le chargeur de batterie pendant plus de 8 heures (pendant la nuit) pour éviter de surcharger la batterie.

Remarque: Une fois démarré, le générateur chargera la batterie après 30 à 60 minutes d'utilisation. Si vous ne faites pas fonctionner régulièrement le générateur, chargez la batterie pendant la nuit une fois par mois pour la garder prête à l'emploi. Chargez la batterie dans un endroit sec.

1. Branchez le chargeur dans le port de chargement de la batterie sur le panneau de commande. Branchez l'extrémité de la prise murale du chargeur de batterie dans une prise murale de 120 volts CA.
2. Débranchez le chargeur de batterie de la prise murale et de la prise du panneau de commande après 8 heures de charge.

REPLACEMENT DE LA BATTERIE

▲ AVERTISSEMENT

Risque de brûlure. La batterie contient de l'acide sulfurique (électrolyte) qui est très corrosif et toxique. Portez des vêtements de protection et des lunettes de protection lorsque vous travaillez à proximité de la batterie. Tenez les enfants éloignés de la batterie.

▲ MISE EN GARDE

Les bornes et bornes de batterie contiennent du plomb et des composés de plomb. Se laver les mains après manipulation.

1. Retirez le couvercle d'accès à la batterie.
2. Retirez la fiche de connexion rapide et retirez la sangle de la batterie. Retirez la batterie de l'appareil.
3. Débranchez les fils du câble à déconnexion rapide de la batterie.
4. Sur la batterie de remplacement, connectez le câble

de connexion rapide blanc (-) à la borne négative de la batterie. Faites glisser la gaine en caoutchouc sur le matériel de connexion.

- Connectez le câble de connexion rapide rouge (+) à la borne positive de la batterie. Faites glisser la gaine en caoutchouc sur le matériel de connexion.
- Soulevez la sangle de batterie et installez la batterie dans le générateur. Enfilez la sangle de batterie sous les câbles à connexion rapide et fixez-la sur la base de montage.
- Branchez la fiche à connexion rapide et installez le couvercle d'accès à la batterie.

AVIS

Débarrassez-vous de la batterie usagée conformément aux directives établies par votre gouvernement local ou régional.

ESPACE DE RANGEMENT

Une préparation de stockage appropriée est nécessaire pour un fonctionnement sans problème et la longévité du générateur.

AVIS

L'essence stockée aussi peu que 30 jours peut se détériorer, provoquant une accumulation de gomme, de vernis et de corrosion dans les conduites de carburant, les passages de carburant et le moteur. Cette accumulation corrosive restreint le débit de carburant, ce qui peut empêcher le moteur de démarrer après une période de stockage prolongée. L'utilisation d'un stabilisateur de carburant augmente considérablement la durée de stockage de l'essence. Il est recommandé d'utiliser à plein temps le stabilisateur de carburant. Suivez les instructions d'utilisation du fabricant.

TEMPS DE STOCKAGE

PROCÉDURE RECOMMANDÉE

Moins de 1 mois	Aucun service requis.
2 à 6 mois	Faites le plein d'essence fraîche et ajoutez du stabilisateur d'essence. Vidangez le bol du flotteur du carburateur.
6 mois ou plus	Vidanger le réservoir de carburant et la cuve du flotteur du carburateur.

STOCKAGE À COURT TERME

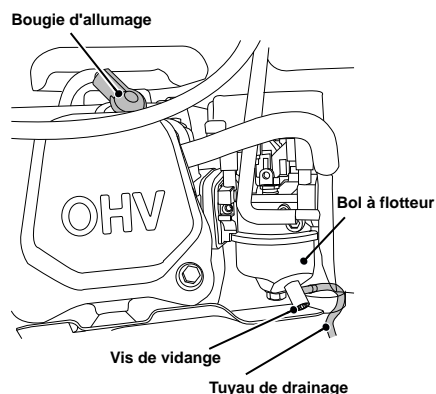
- Laisser le générateur refroidir au moins 30 minutes avant de le ranger.
 - Remplacez tous les couvercles de protection sur le panneau de commande du générateur.
- Essuyez le générateur avec un chiffon humide. Nettoyez tous les débris des entrées d'air à l'avant de l'unité et des événements de refroidissement du silencieux.
 - Entreposez le générateur dans un endroit bien ventilé et sec à l'écart des étincelles, des flammes nues, des veilleuses, de la chaleur et d'autres sources d'inflammation telles que les zones avec un moteur électrique produisant des étincelles ou là où des outils électriques sont utilisés.
 - Ne stockez pas le générateur ou l'essence à proximité de fournaises, de chauffe-eau ou de tout autre appareil produisant de la chaleur ou à allumage automatique.
 - Avec le moteur et le système d'échappement froids et toutes les surfaces sèches, couvrez le générateur pour empêcher la poussière d'entrer. N'utilisez pas de feuille de plastique comme cache anti-poussière. Les matériaux non poreux retiennent l'humidité et favorisent la rouille et la corrosion.

STOCKAGE À LONG TERME

Même un carburant correctement stabilisé peut laisser des résidus et provoquer de la corrosion s'il est laissé à long terme. Si vous stockez le générateur pendant deux à six mois, vidangez le bol du flotteur pour éviter l'accumulation de gomme et de vernis dans le carburateur.

VIDANGE DU FLOTTEUR

- Retirez le couvercle de service du moteur.
- Localisez le tuyau de vidange s'étendant du bas du bol du flotteur du carburateur.



- Placez l'extrémité libre du tuyau à l'extérieur du générateur dans un récipient à essence approuvé pour récupérer le carburant vidangé.
- Desserrez la vis de vidange du bol du flotteur et laissez le carburant s'écouler. Serrez la vis de vidange du bol du flotteur.
- Faites passer le tuyau de vidange entre le boîtier du filtre à air et le couvercle de service du moteur. Installez le capot de service du moteur.

VIDANGE DU RÉSERVOIR DE CARBURANT

Si vous entreposez le générateur pendant plus de six mois, vidangez le réservoir de carburant pour éviter la séparation, la détérioration et les dépôts de carburant dans le système de carburant.

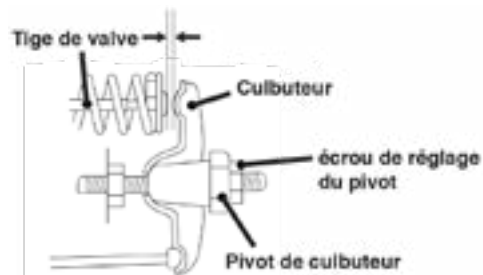
1. Dévissez le bouchon du réservoir de carburant. Retirez le filtre à carburant.
2. À l'aide d'une pompe à essence disponible dans le commerce (non incluse), siphonnez l'essence du réservoir de carburant dans un réservoir d'essence approuvé. NE PAS utiliser de pompe électrique.
3. Réinstaller le filtre à carburant et le bouchon du réservoir de carburant.
4. Démarrez le générateur et laissez-le fonctionner jusqu'à ce que le moteur du générateur s'arrête.
5. Retirez la bougie.
6. Mettez une cuillère à café d'huile moteur dans le cylindre et tirez sur la poignée de recul jusqu'à ce qu'une résistance se fasse sentir. Dans cette position, le piston remonte sur sa course de compression et les deux soupapes sont fermées. Le stockage du moteur dans cette position aidera à prévenir la corrosion interne. Remettez doucement la poignée de recul.
7. Réinstaller la bougie d'allumage. Laissez le soufflet de bougie débranché pour éviter tout démarrage accidentel.
8. Installez le capot de service du moteur.

LE JEU DES SOUPAPES

AVIS

Le contrôle et le réglage du jeu des soupapes doivent être effectués lorsque le moteur est froid.

1. Retirez le couvercle du culbuteur et retirez soigneusement le joint. Si le joint est déchiré ou endommagé, il doit être remplacé.
2. Retirez la bougie d'allumage pour que le moteur puisse tourner plus facilement.
3. Faites tourner le moteur jusqu'au point mort haut (PMH) en tirant lentement sur la poignée de recul. En regardant à travers le trou de la bougie, le piston doit être en haut (les deux soupapes sont fermées).
4. Les deux culbuteurs doivent être desserrés au PMH sur la course de compression. Si ce n'est pas le cas, faites tourner le moteur à 360 °.
5. Insérez une jauge d'épaisseur entre le culbuteur et la tige de soupape pour mesurer le jeu des soupapes.



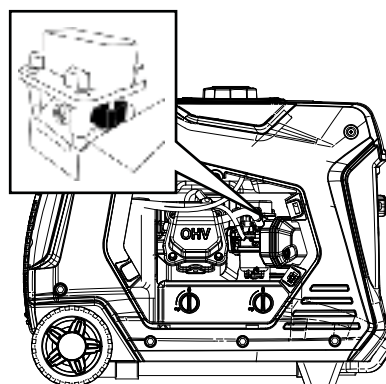
	Intake Valve	Exhaust Valve
Le jeu des soupapes	0.0031 – 0.0047 in (0.08 – 0.12 mm)	0.0051 – 0.0067 in (0.13 – 0.17 mm)
Couple	8-12 N•m	8-12 N•m

6. Si un réglage est nécessaire, maintenez le pivot du culbuteur et desserrez l'écrou de réglage du pivot.
 7. Tournez le pivot du culbuteur pour obtenir le jeu spécifié. Maintenez le pivot du culbuteur et resserrez l'écrou de réglage du pivot au couple spécifié.
- Couple: 106 inch-pound (12 N•m)**
8. Exécutez cette procédure pour l'autre vanne.
 9. Installez le joint, le couvercle du culbuteur et la bougie d'allumage.

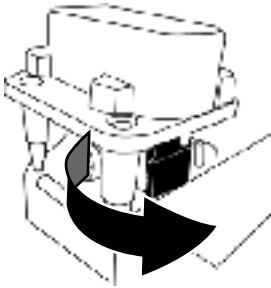
RÉGLER MANUELLEMENT LE STARTER

Si la batterie est déchargée ou déconnectée, vous devrez peut-être régler le starter à la main pour un fonctionnement correct.

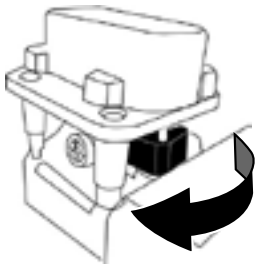
1. Retirez le couvercle de service du moteur.
2. Localisez le petit levier de starter noir sur le dessus du carburateur.



3. Pour fermer le starter pour un démarrage à froid: Utilisez un tournevis pour pousser le levier noir vers l'avant du générateur.



4. Démarrez le générateur. La séquence de démarrage doit ouvrir automatiquement le starter. Si le starter ne s'ouvre pas automatiquement, poussez le starter manuellement pour l'ouvrir.

**AVIS**

Certaines températures ambiantes et certains environnements peuvent vous obliger à fermer le starter à mi-course pour un démarrage réussi.

DÉPANNAGE

DÉPANNAGE

PROBLÈME	CAUSE POSSIBLE	CORRECTION
Le moteur ne démarre pas	En panne d'essence.	Ravitailer.
	Mauvais carburant, générateur stocké sans traitement ni vidange d'essence, ou plein d'essence.	Videz le réservoir de carburant. Faites le plein d'essence fraîche.
	Filtre à air sale.	Nettoyez le filtre à air.
	Le niveau d'huile moteur bas a arrêté le générateur.	Si le voyant de niveau d'huile bas est allumé, tournez le commutateur de batterie en position OFF. Ajoutez de l'huile moteur.
	Bougie d'allumage mouillée de carburant (moteur noyé).	Attendez cinq minutes. Mettez l'interrupteur de la batterie en position OFF. Tirez la poignée de recul rapidement plusieurs fois. Si le générateur ne démarre pas, retirez la bougie et séchez.
	Bougie d'allumage défectueuse, encrassée ou mal espacée.	Écartez ou remplacez la bougie. Réinstaller.
	Filtre à carburant obstrué, dysfonctionnement du système d'alimentation, défaillance de la pompe à carburant, dysfonctionnement d'allumage, soupapes bloquées, etc.	Contactez l'équipe d'assistance de Cummins.
	Starter partiellement ouvert ou fermé en raison d'une batterie faible ou déconnectée.	Réglez manuellement le starter. Voir la section Maintenance.
Le moteur démarre, puis s'arrête	En panne d'essence.	Ravitailer.
	Niveau d'huile moteur incorrect.	Vérifiez le niveau d'huile moteur.
	Filtre à air sale.	Nettoyez le filtre à air.
	Carburant contaminé.	Videz le réservoir de carburant. Faites le plein d'essence fraîche.
	Interrupteur de bas niveau d'huile défectueux.	Contactez l'équipe d'assistance de Cummins.
Le moteur manque de puissance	Filtre à air obstrué.	Nettoyez ou remplacez le filtre à air.
	Mauvais carburant, générateur stocké sans traitement ni vidange d'essence, ou plein d'essence.	Videz le réservoir de carburant. Faites le plein d'essence fraîche.
	Filtre à carburant obstrué, dysfonctionnement du système d'alimentation, défaillance de la pompe à carburant, dysfonctionnement d'allumage, soupapes bloquées, etc.	Contactez l'équipe d'assistance de Cummins.
Le moteur tourne mal ou tourbillonne lors de l'application de la charge	Filtre à air sale.	Nettoyez le filtre à air.
	Générateur surchargé.	Débranchez certains appareils.
	Outil électrique ou appareil défectueux.	Remplacez ou réparez l'outil ou l'appareil. Arrêtez et redémarrez le moteur.
	Filtre à carburant obstrué, dysfonctionnement du système d'alimentation, défaillance de la pompe à carburant, dysfonctionnement d'allumage, soupapes bloquées, etc.	Contactez l'équipe d'assistance de Cummins.
Pas d'alimentation aux prises CA	La LED OUTPUT READY est éteinte et la LED OVERLOAD est allumée.	Vérifiez la charge CA. Arrêtez et redémarrez le moteur. Vérifiez l'entrée d'air. Arrêtez et redémarrez le moteur.
	Disjoncteur / s CA déclenché.	Vérifiez les charges CA et réinitialisez le ou les disjoncteurs.
	Outil électrique ou appareil défectueux.	Remplacez ou réparez l'outil ou l'appareil. Arrêtez et redémarrez le moteur.
	Générateur défectueux.	Contactez l'équipe d'assistance de Cummins.

PROBLÈME	CAUSE POSSIBLE	CORRECTION
Odeur de propane	Régulateur de carburant ou tuyau de carburant et raccords non hermétiquement fermés	À l'aide d'une solution savonneuse, vérifiez chaque connexion et serrez si nécessaire.
	Évent du régulateur de propane actif.	Le régulateur de propane est équipé d'un événement qui permettra à une petite quantité de vapeur de propane de s'échapper du régulateur lorsque le robinet du réservoir de propane est ouvert. Cela peut être normal à condition que la ventilation du propane soit brève. Si vous pensez que cela est anormal, cessez immédiatement l'utilisation et faites inspecter le régulateur de propane par un technicien qualifié.
	Le carburant résiduel du carburateur se disperse après le fonctionnement.	Normal, aucune correction n'est nécessaire.
Mauvaises performances ou calage du moteur au propane	Conduite de propane pliée ou écrasée.	Inspectez la conduite de carburant au propane et retirez les plis ou autres obstructions.
	Le sélecteur de carburant n'est pas correctement positionné.	Tournez complètement le robinet de carburant jusqu'à ce que le pointeur soit directement en ligne avec le carburant souhaité.
	L'essence n'a pas été purgée du carburateur avant de passer au propane.	Fermez le robinet du réservoir de propane. Placez le sélecteur de carburant sur gaz. Démarrez le moteur et laissez le moteur tourner jusqu'à ce que l'essence soit consommée dans le carburateur. Commencez la procédure de démarrage du propane.
Pas d'alimentation aux prises CA	La LED OUTPUT READY est éteinte et la LED OVERLOAD est allumée.	Vérifiez la charge CA. Arrêtez et redémarrez le moteur. Vérifiez l'entrée d'air. Arrêtez et redémarrez le moteur.
	Disjoncteur / s CA déclenché.	Vérifiez les charges CA et réinitialisez le ou les disjoncteurs.
	Outil électrique ou appareil défectueux.	Remplacez ou réparez l'outil ou l'appareil. Arrêtez et redémarrez le moteur.
	Générateur défectueux.	Contactez le service à la clientèle de Westinghouse sans frais au 1 (855) 944-3571.

power.cummins.com

Copyright © 2022 Cummins Inc. All rights reserved.

Cummins, Onan and the “C” logo are registered trademarks of Cummins Inc. and its subsidiaries. Other company, product, or service names may be trademarks or service marks of others.

Specifications are subject to change without notice.

Copyright © 2022 Cummins Inc. Todos los derechos reservados.

Cummins, Onan y el logotipo “C” son marcas registradas de Cummins Inc. y sus subsidiarias. Otros nombres de compañías, productos o servicios pueden ser marcas registradas o marcas de servicio de otros.

Las especificaciones están sujetas a cambios sin previo aviso.

Copyright © 2022 Cummins Inc. Tous droits réservés.

Cummins, Onan et le logo « C » sont des marques déposées de Cummins Inc. et de ses filiales. Les autres noms de société, de produit ou de service peuvent être des marques commerciales ou des marques de service de tiers.

Les spécifications peuvent être modifiées sans préavis.

